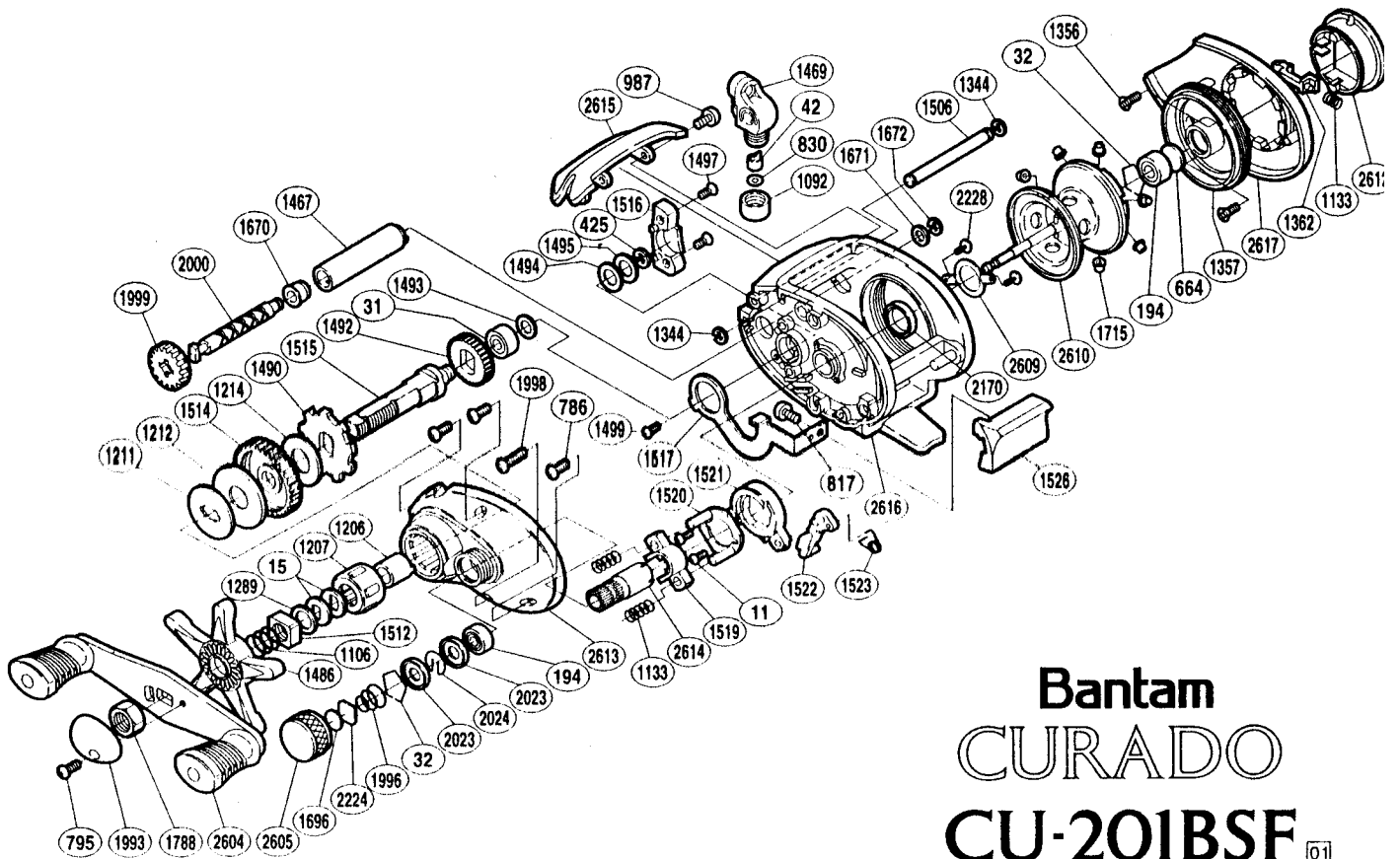


Bantam
CURADO
CU-200BSF 01



Bantam
CURADO
CU-201BSF 01

BNT No.	PARTS NAMES	BNT No.	PARTS NAMES	BNT No.	PARTS NAMES
0011	Clutch Cam Screw	1356	Brake Case Retainer Screw	1671	Worm Shaft Washer (B)
0015	Drag Spring Washer	1357	Brake Case	1672	"E" Lock
0031	Ball Bearing	1362	Turnkey Pawl	1696	Cast Control Spacer (B)
0032	Bearing Retainer	1365	Star Drag Nut	1715	Brake Collar (red)
0042	Line Guide Pawl	1462	Clutch Cam Retainer	1993	Handle Nut Plate Assembly
0194	Ball Bearing	1463	Clutch Cam	1996	Spool Tension Spring
0425	"E" Lock	1465	Clutch Pawl Spring	1998	Side Plate Screw (long)
0664	Spacer (B)	1467	Level Wind Guard	1999	Idle Gear (C)
0786	Side Plate Screw (short)	1469	Line Guide	2000	Worm Shaft
0795	Handle Nut Plate Screw	1475	Quick-Fire II Clutch Bar	2023	Spool Shaft Clip Holder
0797	Handle Nut	1486	Star Drag	2024	Spool Shaft Clip
0817	Clutch Bar Screw	1490	Anti-Reverse Ratchet	2170	Ball Bearing
0830	Spacer (optional)	1491	Drive Shaft	2224	Spool Tension Spacer (A)
0987	Thumb Rest Screw	1492	Idle Gear (A)	2227	Pinion Gear
1092	Pawl Cap	1493	Drive Gear Washer	2228	Bearing Retainer Screw
1106	Star Drag Spring	1494	Drive Shaft Washer (B)	2604	Handle Assembly
1133	Yoke / Turnkey Pawl Spring	1495	Drive Shaft Washer (A)	2605	Cast Control Cap
1206	Roller Clutch Inner Tube	1496	Drive Shaft Cover	2606	Right Side Plate
1207	Roller Clutch Bearing	1497	Drive Shaft Cover Screw	2607	Thumb Rest
1211	Key Washer	1499	Clutch Plate Screw	2608	One-Piece Frame
1212	Drag Washer (C)	1500	Clutch Plate	2609	Bearing Retainer
1214	Drag Washer (A)	1501	Yoke	2610	Spool Assembly
1289	Star Drag Spacer	1503	Clutch Pawl	2611	Left Side Plate
1325	Drive Gear	1506	Line Guard	2612	Turnkey Dial
1344	"C" Lock	1670	Worm Bushing		

(121205)

Printed In Japan

BNT No.	PARTS NAMES	BNT No.	PARTS NAMES	BNT No.	PARTS NAMES
0011	Clutch Cam Screw	1362	Turnkey Pawl	1672	"E" Lock
0015	Drag Spring Washer	1467	Level Wind Guard	1696	Cast Control Spacer (B)
0031	Ball Bearing	1469	Line Guide	1715	Brake Collar (red)
0032	Bearing Retainer	1486	Star Drag	1788	Handle Nut
0042	Line Guide Pawl	1490	Anti-Reverse Ratchet	1993	Handle Nut Plate Assembly
0194	Ball Bearing	1492	Idle Gear (A)	1996	Spool Tension Spring
0425	"E" Lock	1493	Drive Gear Washer	1998	Side Plate Screw (long)
0664	Spacer (B)	1494	Drive Shaft Washer (B)	1999	Idle Gear (C)
0786	Side Plate Screw (short)	1495	Drive Shaft Washer (A)	2000	Worm Shaft
0795	Handle Nut Plate Screw	1497	Drive Shaft Cover Screw	2023	Spool Shaft Clip Holder
0817	Clutch Bar Screw	1499	Clutch Plate Screw	2024	Spool Shaft Clip
0830	Spacer (optional)	1506	Line Guard	2170	Ball Bearing
0987	Thumb Rest Screw	1512	Star Drag Nut	2224	Spool Tension Spacer (A)
1092	Pawl Cap	1514	Drive Gear	2228	Bearing Retainer Screw
1106	Star Drag Spring	1515	Drive Shaft	2604	Handle Assembly
1133	Yoke / Turnkey Pawl Spring	1516	Drive Shaft Cover	2605	Cast Control Cap
1206	Roller Clutch Inner Tube	1517	Clutch Plate	2609	Bearing Retainer
1207	Roller Clutch Bearing	1519	Yoke	2610	Spool Assembly
1211	Key Washer	1520	Clutch Cam Retainer	2612	Turnkey Dial
1212	Drag Washer (C)	1521	Clutch Cam	2613	Left Side Plate
1214	Drag Washer (A)	1522	Clutch Pawl	2614	Pinion Gear
1289	Star Drag Spacer	1523	Clutch Pawl Spring	2615	Thumb Rest
1344	"C" Lock	1526	Quick-Fire II Clutch Bar	2616	One-Piece Frame
1356	Brake Case Retainer Screw	1670	Worm Bushing	2617	Right Side Plate
1357	Brake Case	1671	Worm Shaft Washer (B)		

(121205)