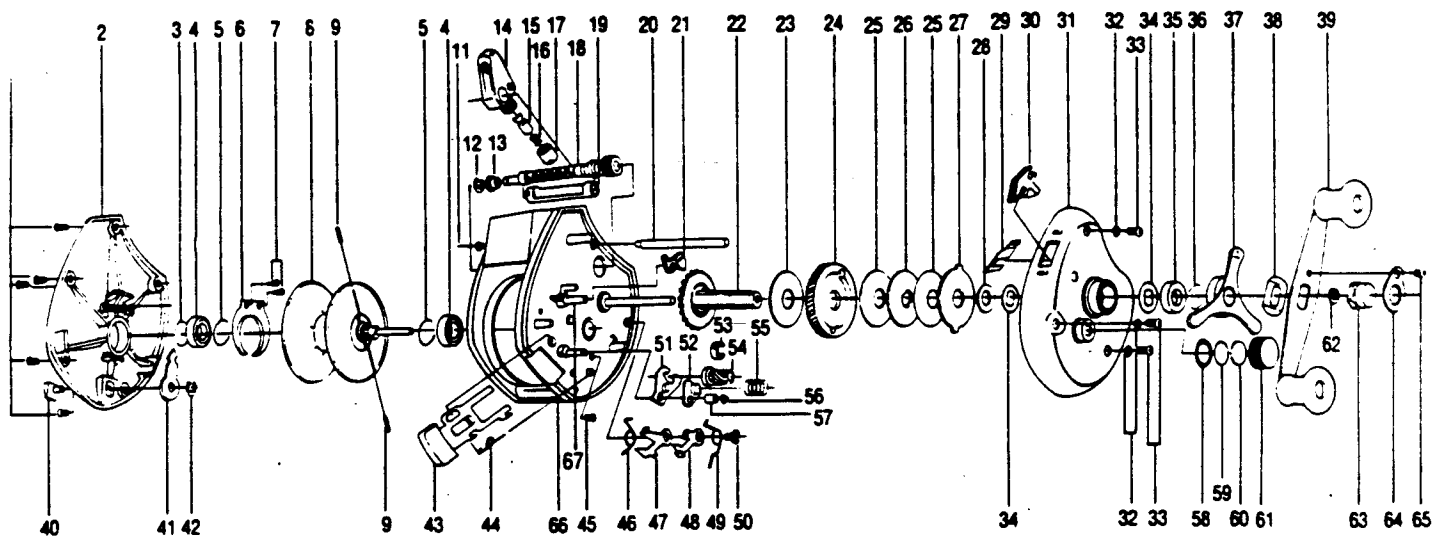


QUANTUM PRO4



Key No.	Part No.	Description	Price	Key No.	Part No.	Description	Price
1	VX4102	SIDE COVER SCREW	.99	35	CW058	CRANK SHAFT BUSHING	2.68
2	CW023	LEFT SIDE COVER	8.84	36	GW090	GEAR STACK RETAINER	.70
3	VX4255	SPOOL TENSION SHIM	.99	37	CW355	DRAG KNOB ASSY.	6.86
4	CW017	BEARING (SPOOL)	11.20	38	VX4660	HANDLE WASHER	1.16
5	CW080	CLIP RING	.64	39	CW318	HANDLE ASSY.	8.57
6	CW110	CLICKER SPRING	2.95	40	CW109	CLICKER SWITCH	2.19
7	CW107	SCREW CLICKER SPRING	.64	41	CW114	CLICK PAWL	1.77
8	CW321	SPOOL ASSY.	16.56	42	CW4657	RETAINER CLIP	.69
9	CW044	CENTRIFUGAL BRAKE SHOE	.97	43	CW339	SLIDER ASSY.	3.16
11	VX4155	CARRIER GUIDE SCREW	.91	44	VX4502	RELEASE SLIDER SPRING	.99
12	VX4152	E-CLIP (WORM SHAFT)	.91	45	CW099	SCREW SLIDER RETAINER	1.56
13	VX4151	WORM SHAFT ASSY.	8.54	46	VX4541	LATCH-BOTTOM SPRING	.99
14	CW347	LINE GUIDE CARRIER ASSY.	6.53	47	VX4501	LATCH-BOTTOM	1.36
16	CX4203	LINE GUIDE PAWL SPRING	.36	48	VX4503	LATCH-TOP	1.36
16	VX4202	LINE GUIDE PAWL	4.31	49	VX4543	LATCH-TOP SPRING	.99
17	VX4204	LINE GUIDE CARRIER SCREW	2.77	50	VX4505	LATCH SCREW	1.66
18	CW372	WORM SHAFT ASSY.	10.44	51	VX4401	PINION YOKE	3.86
19	CW016	LEVEL WIND GUARD	3.27	52	VX4411	SPRING ANCHOR	1.66
20	CW061	STABILIZER BAR	2.78	53	VX4400	PINION COLLAR	1.16
21	CW363	A/R PAWL ASSY.	2.73	54	CW311	PINION ASSY.	8.35
22	CW308	DRIVE SHAFT ASSY.	8.52	55	VX4403	YOKE SPRING	.91
23	CW060	DRAG DISC - LOWER	1.50	56	VX4243	E-CLIP	.62
24	CW012	DRIVE GEAR	10.98	57	VX4412	CONICAL SPRING	1.36
25	CW059	DRAG DISC - MIDDLE	1.50	58	VX4258	TENSION KNOB RING	.99
26	CW056	DRAG WASHER - MIDDLE	1.93	59	VX4302	SPOOL TENSION KNOB WAS	1.46
27	CW048	DRAG DISC - UPPER	1.82	60	VX4601	SPOOL TENSION KNOB CUS	.99
28	VX4302	SPOOL TENSION KNOB WASHER	1.46	61	VX4259	SPOOL TENSION KNOB	4.85
29	CW071	A/R SELECTOR SPRING	1.24	62	VX4657	E-CLIP (CRANK SHAFT)	.62
30	CW064	A/R SELECTOR SWITCH	1.77	63	GX4702	HANDLE NUT	.99
31	CW024	RIGHT SIDE COVER	16.02	64	GX4703	HANDLE NUT LOCK	.91
32	CW069	MYLAR WASHER	.70	65	VX4704	HANDLE NUT LOCK SCREW	.99
33	VX4102	SIDE COVER SCREW	.99	66	CW301	FRAME ASSY.	24.60
34	VX4662	SPRING D WASHER	1.36	67	CX4403	PINION YOKE SPRING	.36

Prices subject to change without notice. Prices do not include postage and handling.

PLEASE ORDER BY PART NUMBER

Rev. 5/93

Zebco Division Brunswick Corporation, Box 270, Tulsa, OK 74101 USA 918-836-5581

