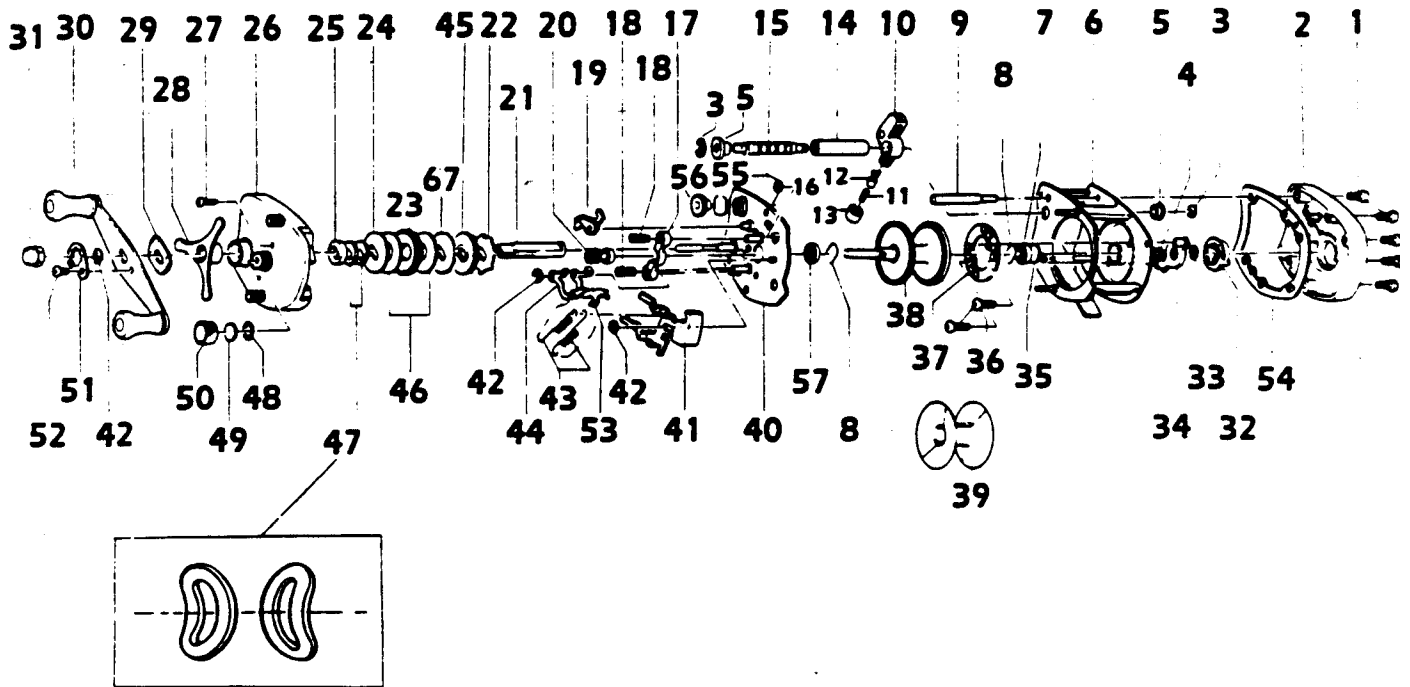


QUANTUM QD1310L

DISCONTINUED



| Key No. | Part No. | Description | Price | Key No. | Part No. | Description | Price |
|---------|----------|------------------------|-------|---------|----------|-----------------------|-------|
| | CX4000 | SPARE PARTS W/WRENCH | 3.69 | 28 | LX4663 | STAR DRAG | 6.14 |
| | CX4100 | LEVEL WIND HOOD | 3.69 | 29 | CX4660 | HANDLE WASHER | .36 |
| | LX310 | SET PLATE ASSY. | 18.00 | 30 | CX4701 | HANDLE | 5.53 |
| | LX324 | SIDE COVER | 13.29 | 31 | LX4702 | HANDLE NUT | 1.53 |
| | T130 | WRENCH | 2.59 | 32 | CX4303 | MAGNETIC CONTROL DIAL | .99 |
| 1 | LX4102 | RIGHT SIDE PLATE SCR. | .99 | 33 | CX4250 | O RING | .49 |
| 2 | LX4101 | RIGHT SIDE PLATE | 6.45 | 34 | CX4261 | MAGNET RET. SUPPORT | 1.46 |
| 3 | CX4152 | WORM SHAFT RETAINER | .31 | 35 | CX4255 | SPOOL TENSION SHIM A | .36 |
| 4 | CX4301 | MAGNET RET. SPRING | .36 | 36 | CX4602 | MAGNET RETAINER SCREW | .62 |
| 5 | CX4156 | WORM GUARD BUSHING | .62 | 37 | CX4257 | MAGNET RETAINER | 8.59 |
| 6 | LX4051 | FRAME | 23.32 | 38 | LX4251 | SPOOL | 13.35 |
| 7 | CX4252 | SPOOL SHFT BEARING | 7.99 | 39 | CX4260 | U SPOOL CONVERTER | 3.07 |
| 8 | CX4253 | BEARING RETAINER | .36 | 40 | LX4351 | SET PLATE | 18.73 |
| 9 | BX4159 | FRAME POST- SILVER | 1.53 | 41 | LX4402 | SPOOL RELEASE BUTTON | 2.64 |
| 10 | CX4201-1 | LINE GUIDE | 4.00 | 42 | CX4256 | PINION GEAR | 7.37 |
| 11 | CX4203 | LINE GUIDE PAWL SPRING | .36 | 43 | FX4353 | SET PLATE ACT SPRING | .91 |
| 12 | CX4202 | LINE GUIDE PAWL | 2.21 | 44 | LX4503 | SET PLATE ACT. 'B' | 1.84 |
| 13 | CX4204 | PAWL CAP | .91 | 45 | LX4658 | ANTI-REVERSE RATCHET | 3.86 |
| 14 | BX4158 | WORM SHFT GUARD-SILVER | 2.64 | 46 | CX4661 | DRAG WASHER A | .36 |
| 15 | CX4151-1 | WORM SHAFT W/O GEAR | 3.69 | 47 | CX4662 | DRIVE SHAFT SPR. WSHR | .36 |
| 16 | CX4502 | SPOOL RELEASE SPRING | .36 | 48 | CX4258 | O RING | .36 |
| 17 | CX4401 | PINION YOKE | .62 | 49 | CX4302 | SPOOL TENSION SHIM B | .36 |
| 18 | CX4403 | PINION YOKE SPRING | .36 | 50 | CX4259 | SPOOL TENSION KNOB | 1.84 |
| 19 | LX4452 | ANTI-REVERSE PAWL | 1.84 | 51 | LX4703 | HANDLE NUT LOCK | 1.23 |
| 20 | LX4256 | PINION GEAR | 9.21 | 52 | LX4704 | HANDLE NUT LOCK SCR. | .49 |
| 21 | LX4652 | DRIVE SHAFT | 4.90 | 53 | LX4501 | SET PLATE ACT. 'A' | 1.23 |
| 22 | LX4451 | RELEASE RATCHET | 1.23 | 54 | CX4107 | LEFT PLATE SPACER-WH. | 1.53 |
| 23 | LX4651 | DRIVE GEAR | 6.68 | 55 | CX4153 | GEAR RETAINING CLIP | .31 |
| 24 | CX4659 | DRAG WASHER B | .62 | 56 | LX4150 | WORM SHAFT GEAR | 2.88 |
| 25 | CX4254 | DRIVE SHFT BUSH | .62 | 57 | CX4252 | SPOOL SHFT BEARING | 7.99 |
| 26 | LX4103 | LEFT SIDE PLATE | 13.82 | 67 | LX4666 | DRAG WASHER C | .62 |
| 27 | LX4352 | LEFT SIDE CVR SCREW | .42 | | | | |

Prices subject to change without notice. Prices do not include postage and handling. Some parts may not be available.

PLEASE ORDER BY PART NUMBER

Rev. 5/93

Zebco Division Brunswick Corporation, Box 270, Tulsa, OK 74101 USA 918-836-5581

