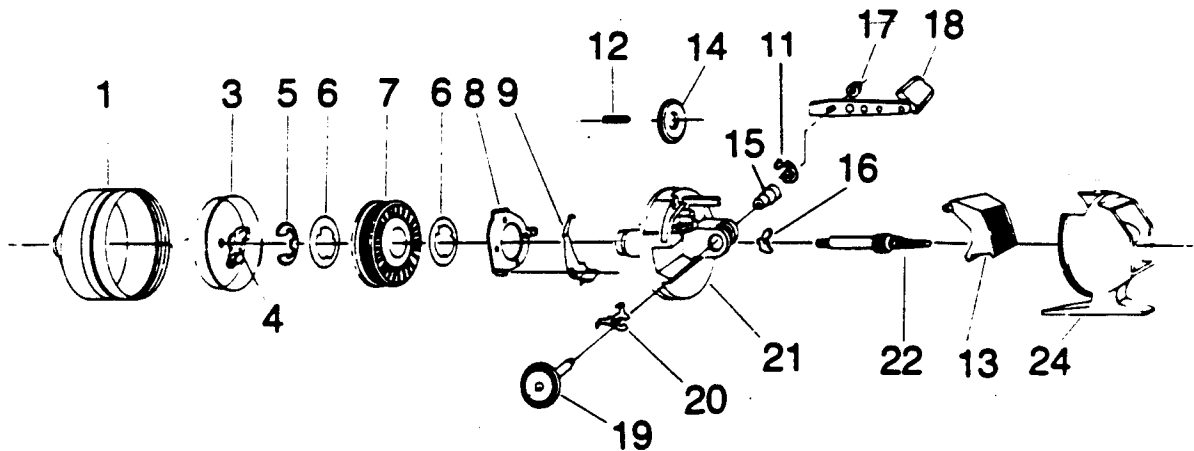


ZEBCO ZX8



Key No.	Part No.	Description	Price
1	ZZ324-7	FRONT COVER S/A	4.97
3	JY310	SPINNERHEAD	4.97
4	JY049	PICKUP PIN ARM SPRING	.44
5	JY034	SPOOL CLIP	.44
6	NY040	SPOOL WASHER	.82
7	JY021	SPOOL	2.14
7	JY321-8P	WND SPOOL 8# LINE	5.21
8	AE027	CLUTCH RING	1.10
9	RY033	RATCHET SPRING	.49
11	JY121	RETAINER CLIP	.38
12	BJ054-2	CLUTCH SCREW	.66
13	AE009-3	THUMB STOP	.61
14	RY332-1	DRAG ADJ. WHEEL S/A	.82
15	SY026-1	CRANK SHAFT BUSHING	2.10
16	JY060	ANTI-REVERSE PAWL	.44
17	AZ003	CRANK NUT	.56
18	AE318	CRANK HANDLE S/A	2.15
19	JY308-3	CRANK GEAR S/A	3.03
20	JY061	PAWL ACTUATOR	.44
21	AE301-3	BODY ASSY.	3.98
22	WY315-2	CENTER SHAFT S/A	4.31
24	AE323-5	BACK COVER S/A	4.36

Prices subject to change without notice. Prices do not include postage and handling.

PLEASE ORDER BY PART NUMBER

Rev. 5/93

Zebco Division Brunswick Corporation, Box 270, Tulsa, OK 74101 USA 918-836-5581

