



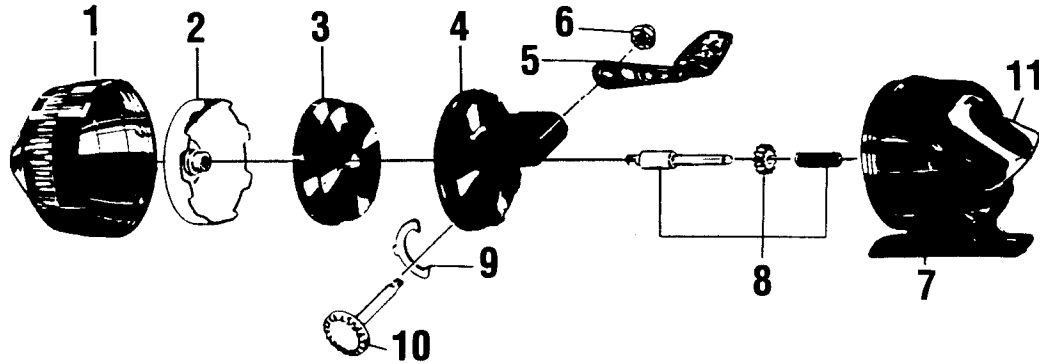
101E

SPECIFICATIONS:

Light Freshwater
 45 yds./8 lb. Line Capacity
 2.5:1 Ratio
 3.5 oz. Weight

FEATURES:

Basic direct-drive (without drag)
 All-metal helical gears
 Tough ABS housing
 Stainless-steel 20 point pickup system
 Color: Dk. Brown/Beige



Key No.	Part No.	Description	Price	Key No.	Part No.	Description	Pri
1	DZ324-01	Front Cover S/A	.94				
2	DZ310-01	Spinnerhead S/A	2.10				
3	DZ321-01	Wnd Spool w/8# Premium Line	2.15				
4	HY001-02	Body	.75				
5	XZ318-24	Handle S/A	1.05				
6	XZ003-01	Crank Nut	.43				
7	DZ023-14	Back Cover	1.65				
8	DZ315-02	Center Shaft S/A	1.83				
9	XZ063-01	Anti-Reverse Pawl	.34				
10	XZ308-01	Crank Shaft S/A	1.99				
11	XZ009-02	Thumbstop	.64				

MODEL INTRODUCED 1996	EFFECTIVE DATE OF PARTS LIST/DIAGRAM Oct. 1996	DISCONTINUED N/A
------------------------------	---	-------------------------

Prices subject to change without notice. Prices do not include postage and handling.

