



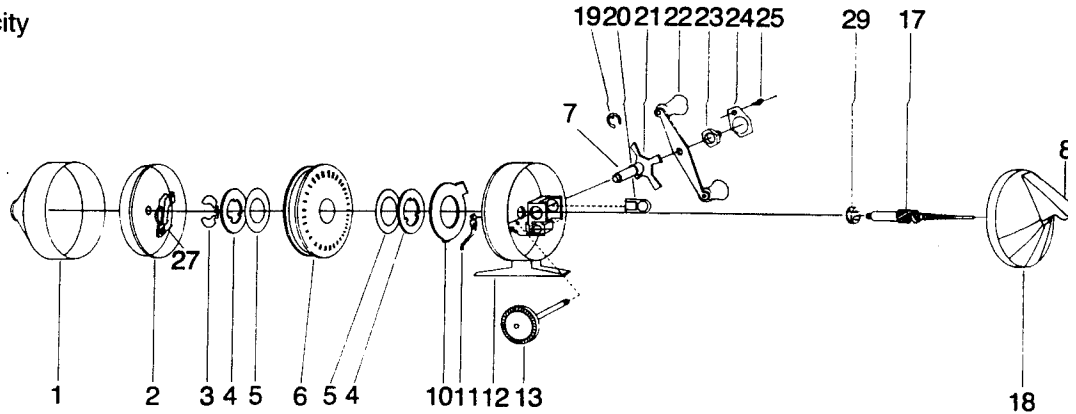
1CLB

SPECIFICATIONS:

- Medium/Heavy Freshwater
- 110 yds./14 lb. Line Capacity
- 3.6:1 Ratio
- 11.0 oz. Weight
- 1 Roller Bearing

FEATURES:

- Continuous Anti-Reverse
- Helical-cut, extra-hard Magnum Gears
- Magnum Drag System
- Dual grip power handle
- Stainless-steel covers
- Cut-proof ceramic pickup pin
- Color: Gold



Key No.	Part No.	Description	Price
1	KZ324-04	Front Cover Assy	5.95
2	KZ310-01	Spinnerhead Assy	6.64
3	RY034-01	Spool Retainer Clip	.45
4	CJ040-01	Spool Washer	.98
5	CJ108-01	Flat Washer	.39
6	KZ021-01	Spool (Empty)	.64
	KZ321-04	Spool w/14# Line	6.08
7	KY026-05	Crank Shaft Bushing	2.91
8	ME309-01	Thumb Brake	3.49
10	KZ027-01	Clutch Ring	.88
11	RY033-01	Spool Click Spring	.50
12	KZ301-04	Body Assy (Includes A/R Clutch)	9.95
13	KY308-04	Crank Shaft Assy	3.30
17	KZ315-04	Center Shaft Assy	2.75
18	KZ323-03	Back Cover Assy	9.40
19	JY121-01	Retainer Clip	.39
20	KZ054-01	Drag Actuator Slide	1.02
21	JY032-02	Drag Star	1.00
22	KZ318-07	Handle Assembly	3.80
22A	KZ318-08	Handle w/o Lock Screw Hole	4.14
23	VY003-01	Crank Handle Nut	.58
24	VY056-01	Handle Nut Lock	.26
24A	RY031-01	Lock Washer (under Crank Nut)	.37
25	VY057-01	Handle Lock Screw	.21
25A	N/A	When used w/22A	
27	JY049-01	Spinnerhead Spring	.45
29	VY017-01	Center Bushing	.60

Key No.	Part No.	Description	Price
---------	----------	-------------	-------

MODEL INTRODUCED 1997	EFFECTIVE DATE OF PARTS LIST/DIAGRAM April 1997	DISCONTINUED N/A
------------------------------	--	-------------------------

Prices subject to change without notice. Prices do not include postage and handling.

