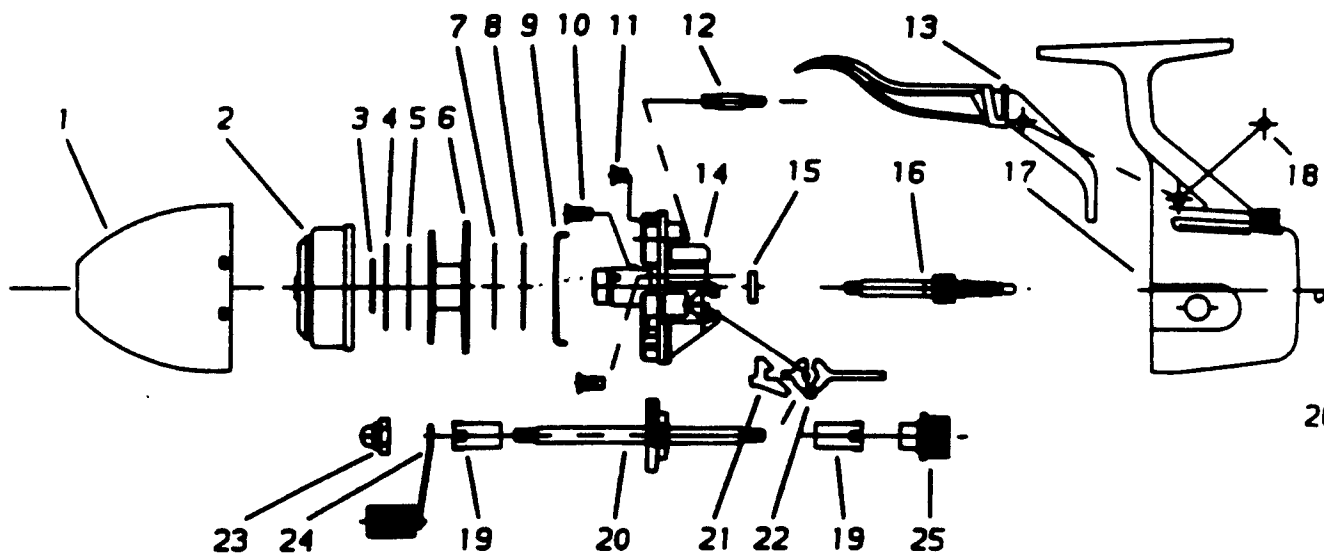


ZEBCO® 257TS



Key No.	Part No.	Description	Price
1	SE324-3	FRONT COVER	6.70
2	SE310	SPINNERHEAD	4.07
3	SE034	SPOOL CLIP	.36
4	SE040-2	SPOOL W/S - STEEL	.98
5	SE108-2	DRAG W/S - PLASTIC	.52
6	SE321-1	SPOOL W/LINE	5.21
7	SE108-1	DRAG W/S - PLASTIC	.52
8	SE040-1	SPOOL W/S - STEEL	.46
9	SE027	CLUTCH RING	.98
10	KE126	SCREWS (2)	.48
11	SE126	SCREW	.67
12	TE054	DRAG SCREW	2.16
13	TE350	TRIGGER	2.63
14	SE301-2	BODY	9.22
15	BJ017	BALL BEARING	5.90
16	SE315	CENTER SHAFT ASSY	5.41
17	TE323-2	BACK COVER	6.95
18	CJ172-3	FINGER BRAKE PIN	.56
19	KE026	CRANK BUSHING (2)	.97
20	TE308	CRANK SHAFT ASSY	3.19
21	KE060	ANTI-REVERSE PAWL	.54
22	TE061	ANTI-REVERSE DRAG	.93
23	AZ003	CRANK NUT	.56
24	TE318	HANDLE ASSY	3.04
25	TE068	CAP	1.49
26	TE002	ANTI-REVERSE ACTUATOR	1.24

Prices subject to change without notice. Prices do not include postage and handling.

PLEASE ORDER BY PART NUMBER

Rev. 5/93

Zebco Division Brunswick Corporation, Box 270, Tulsa, OK 74101 USA 918-836-5581

