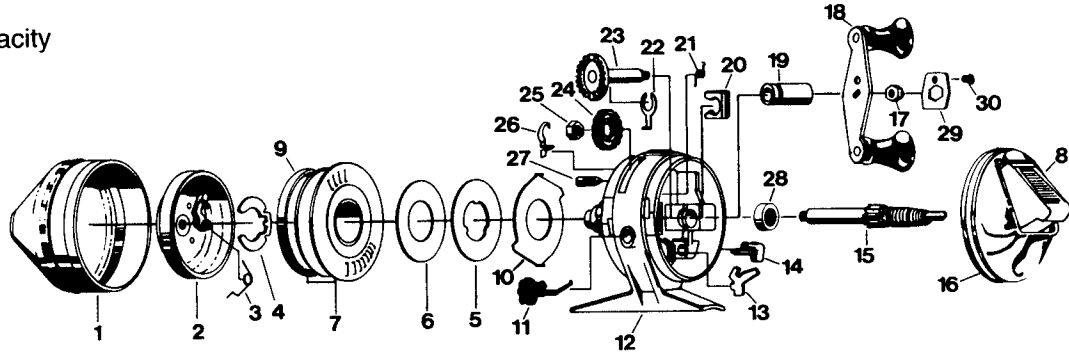


SPECIFICATIONS:

Medium Freshwater
 100 yds./10 lb. Line Capacity
 3.0:1 Ratio
 8.0 oz. Weight
 1 Ball Bearing

FEATURES:

Helical-cut, extra-hard
 Magnum Bears
 Magnum Drag System
 Dual grip power handle
 Silent on/off anti-reverse
 Polished stainless-steel
 covers
 Cut-proof ceramic pickup pin
 Bait alert alarm
 Color: Silver/Green



Key No.	Part No.	Description	Price
1	RY324-10	Front Cover	2.35
2	RY310-01	Spinnerhead S/A	4.49
3	RY049-01	Spinnerhead Spring	.45
4	RY034-01	Spool Retainer Clip	.45
5	CJ040-01	Spool Washer	.98
6	CJ108-01	Flat Washer	.39
7	RY321-01	Wndspol/10# Hi Performance	5.75
7	RY021-01	Spool	2.34
8	VY309-02	Thumb Stop S/A	.75
9	RY036-01	Spool Lip	.64
10	RY027-01	Clutch Ring	.98
11	RY014-03	Bait Clicker	.55
12	RY301-08	Body	9.85
13	RY060-01	Anti-Reverse Pawl	.58
14	RY002-03	Anti-Rev Actuator	.35
15	RY315-03	Center Shaft S/A	3.52
16	VY323-04	Back Cover S/A	5.50
17	VY003-01	Crank Nut	.58
18	KZ318-11	Crank Handle S/A	2.50
19	RY026-01	Crank Shaft Bushing	.58
20	RY029-01	Retainer Clip	.32
21	RY064-01	Spring - Drag Adjustment	.45
22	JY061-01	Pawl Actuator	.45
23	RY308-03	Crank Shaft S/A	3.12
24	RY332-02	Drag Adj Wheel S/A	1.07
25	RY077-01	Hex Nut	.45

Key No.	Part No.	Description	Price
26	RY033-01	Ratchet Spring	.50
27	BJ054-02	Clutch Screw	.68
28	RY317-01	Ball Bearing Assembly	2.05
29	VY056-01	Nut Lock Plate	.26
30	VY057-01	Screw	.21

MODEL INTRODUCED 1996	EFFECTIVE DATE OF PARTS LIST/DIAGRAM Oct. 1996	DISCONTINUED N/A
------------------------------	---	-------------------------

Prices subject to change without notice. Prices do not include postage and handling.

