



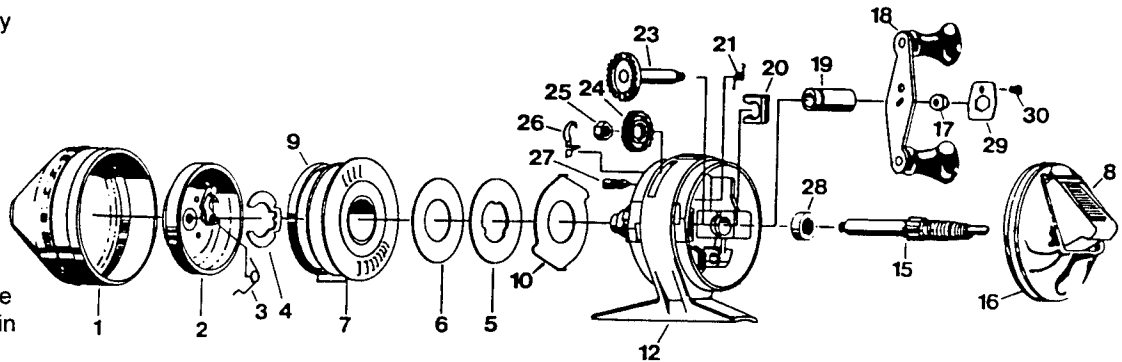
33CLA / 50CL

SPECIFICATIONS:

Medium Freshwater
 100 yds./10lb. Line Capacity
 3.0:1 Ratio
 Weight: 8.0 oz.

FEATURES:

Continuous Anti-Reverse
 Helical-cut, extra hard
 Magnum Gears
 Magnum Drag System
 Dual Grip Power Handle
 Fiberglass-reinforced Frame
 Cut-proof ceramic pickup pin
 Color: 33CLA - Gold
 50CL - Black



33 CLASSIC PARTS LIST

50CL PARTS LIST

Key No.	Part No.	Description	Price	Key No.	Part No.	Description	Price
1	VY324-03	Front Cover	2.25	1	VY324-05	Front Cover	2.25
2	RY310-01	Spinnerhead Assy	4.49	2	RY310-01	Spinnerhead Assy	4.49
3	RY049-01F	Spring - Pickup Arm	.45	3	RY049-01F	Spring - Pickup Arm	.45
4	RY034-01A	Spool Retainer Clip	.45	4	RY034-01A	Spool Retainer Clip	.45
5	CJ040-01A	Spool Washer Metal	.98	5	CJ040-01A	Spool Washer Metal	.98
6	CJ108-101A	Flat Washer	.39	6	CJ108-101A	Flat Washer	.39
7	RY321-04	Spool w/10# Line	5.75	7	RY321-04	Spool w/10# Line	5.75
8	JE309-01	Thumb Stop Assy	2.84	8	JE309-02	Thumb Stop Assy	2.84
9	RY036-01	Spool Lip	.64	9	RY036-01	Spool Lip	.64
10	RY027-01F	Clutch Ring	.98	10	RY027-01F	Clutch Ring	.98
12	VY301-04	Body Assy (Includes A/R Clutch	10.35	12	VY301-04	Body Assy (Includes A/R Clutch	10.35
15	JE315-02	Center Shaft Assembly	2.83	15	JE315-02	Center Shaft Assembly	2.83
16	VY323-03	Back Cover	2.45	16	VY323-03	Back Cover	2.45
17	VY003-01B	Crank Nut	.58	17	VY003-01B	Crank Nut	.58
18	KZ318-10	Crank Handle	2.35	18	KZ318-14	Crank Handle	2.35
19	RY026-01H	Crank Bushing	.58	19	RY026-01H	Crank Bushing	.58
20	RY029-01C	Bearing Retainer Clip	.32	20	RY029-01C	Bearing Retainer Clip	.32
21	RY064-01C	Drag Adjustment Spring	.45	21	RY064-01C	Drag Adjustment Spring	.45
23	RY308-04	Crank Shaft Assy	1.15	23	RY308-04	Crank Shaft Assy	1.15
24	RY332-03	Drag Wheel Assy	.55	24	RY332-01	Drag Wheel Assy	.55
25	RY077-01	Hex Nut	.45	25	RY077-01	Hex Nut	.45
26	RY033-01D	Spool Click Spring	.50	26	RY033-01D	Spool Click Spring	.50
27	BJ054-02C	Clutch Screw	.68	27	BJ054-02C	Clutch Screw	.68
28	VY017-01A	Center Bushing	.60	28	VY017-01A	Center Bushing	.60
29	VY056-01D	Nut Lock	.26	29	RY031-01	Lock Washer	.26
30	VY057-01B	Screw	.21	30	N/A		

MODEL	33CLA - 1997	EFFECTIVE DATE OF	Nov-98	DISCONTINUED	N/A
INTRODUCED:	50CL - 1999	PARTS LIST/DIAGRAM			

Prices subject to change without notice. Prices do not include postage and handling.

PLEASE ORDER BY PART NUMBER Zebco Division Brunswick Corporation, Box 270, Tulsa, OK 74101, USA 918-831-6965

