



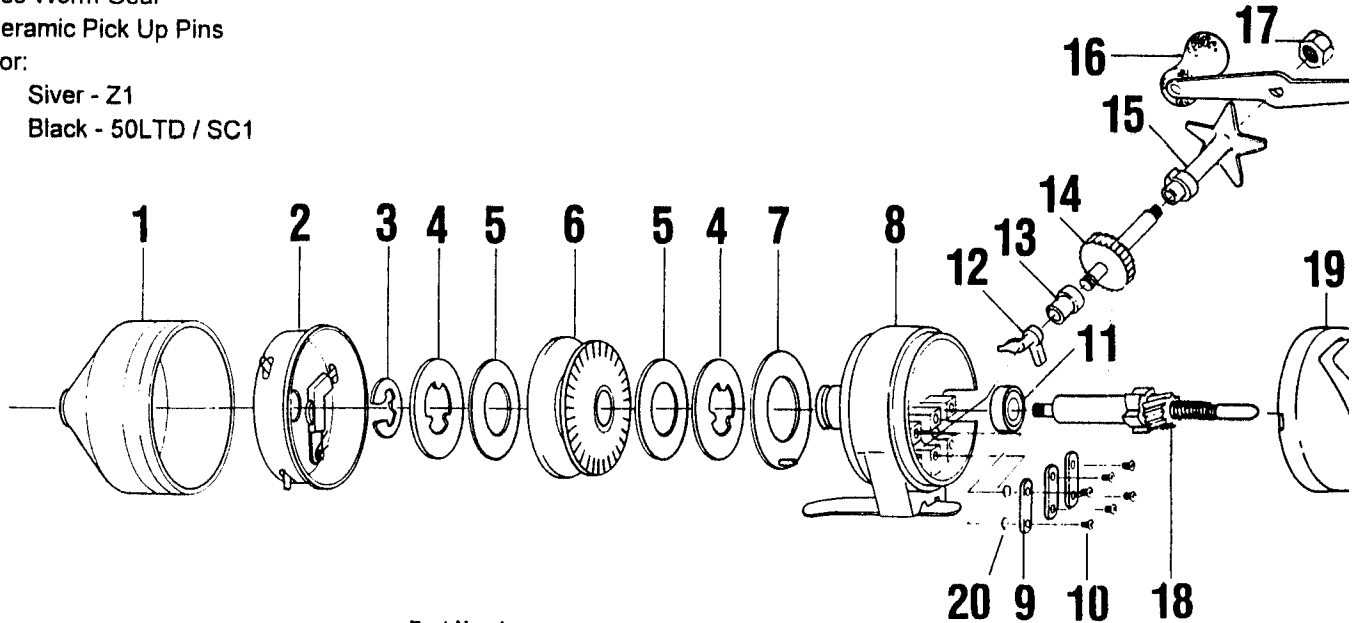
# Z1 / 50LTD / SC1

## SPECIFICATIONS:

Application: Medium/Heavy FW  
 Line Capacity: 100 yds / 14 lb  
 Gear Ratio: 2.6:1  
 10.6 oz.  
 1 Ball Bearing

## FEATURES:

Silent On / Off Anti-Reverse  
 Brass Worm Gear  
 3 Ceramic Pick Up Pins  
 Color:  
 Siver - Z1  
 Black - 50LTD / SC1



Key No.	Description	Part Number			Price
		Z1	50LTD	SC1	
1	Front Cover Assy.	AZ324-04	AZ324-06	AZ324-05	7.96
2	Spinnerhead Assy.	KZ310-02	←	←	7.39
3	Spool Clip	GZ034-01	←	←	0.60
4	Spool Washer	CJ040-01	←	←	1.01
5	Flat Washer	CJ108-01	←	←	0.40
6	Spool w/ 14# Line	AZ321-01	←	←	6.27
6	Spool	AZ021-02	←	←	3.18
7	Clutch Plate	AZ327-01	←	←	3.02
8	Body S/A	AZ301-01	←	←	14.72
9	Bearing Retainer	AZ029-01	←	←	0.44
10	Retainer Screws	AZ057-01	←	←	0.33
11	Ball Bearing	AZ028-01	←	←	7.03
12	Anti_Reverse Drag	AZ052-01	←	←	0.38
13	Crank Bearing	AZ026-01	←	←	0.72
14	Crank Shaft Assy.	AZ308-01	←	←	3.58
15	Cam Shaft	AZ032-01	←	←	3.35
16	Crank Handle S/A	AZ318-01	AZ318-02	←	1.39
17	Crank Nut	VY003-01	←	←	0.60
18	Center Shaft S/A	AZ315-01	←	←	6.08
19	Back Cover S/A	kKZ323-04	KZ323-05	KZ323-05	6.18
20	Thumbstop S/A	GE309-01	←	←	1.44

MODELS Z1, 50LTD, SC1	EFFECTIVE DATE OF	
INTRODUCED:Z1-'73, 50CL-'98,SC1-'94	PARTS LIST/DIAGRAM: Nov. '98	DISCONTINUED: N/A