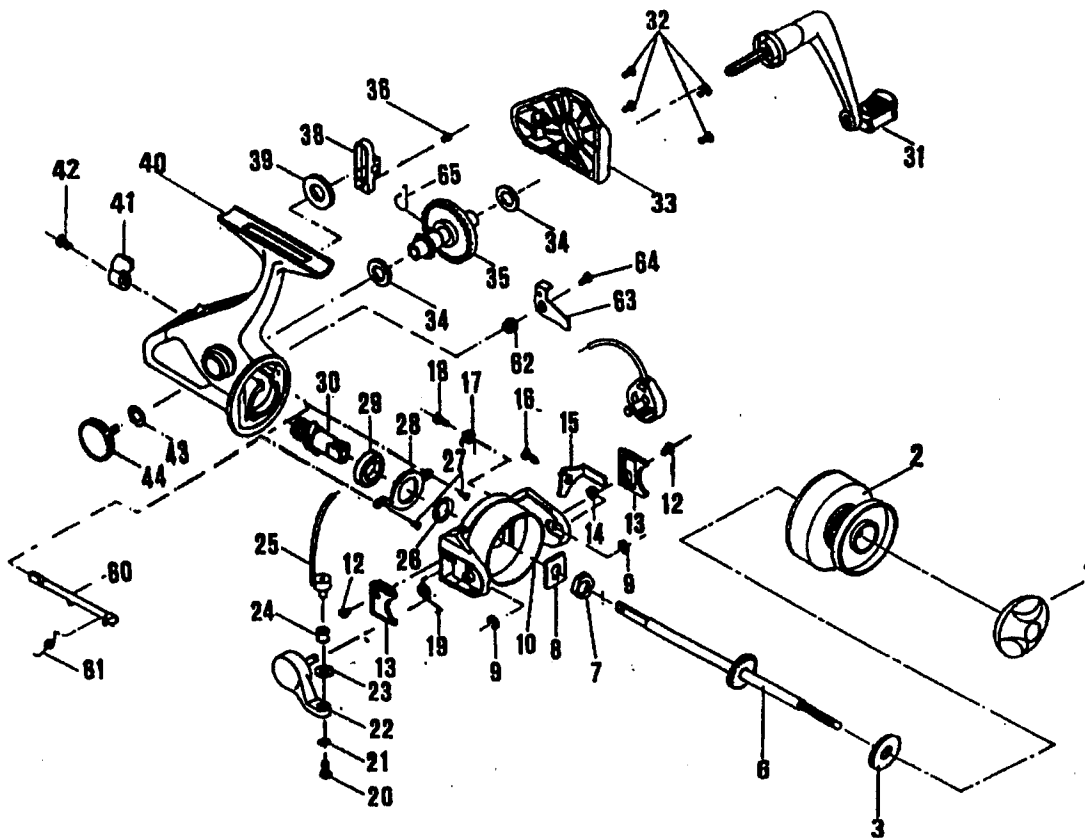




# Spinning - 6100 Series



## 6106 / 6110 / 6112 / 6115 PARTS LIST

KEY PART NUMBER NO.	6106	6110	6112	6115	DESCRIPTION	PRICE	KEY PART NUMBER NO.	6106	6110	6112	6115	DESCRIPTION	PRICE
1	P306366	P306368	P306370	-	DRAG KNOB ASSY.	1.00	26	P306324	-	-	-	WASHER	0.50
2	S630030	S630031	S630032	S630033	SPOOL ASSY.	5.00	27	P306315	-	-	P306316	BRING HOLDER SCRW	0.70
3	P306363	-	-	-	WASHER	0.70	28	P306084	-	P306363	-	BRING HOLDER	0.70
4	-	-	-	-	-	-	29	P306380	-	P306379	-	BALL BEARING	8.55
5	-	-	-	-	-	-	30	P306272	-	P306271	-	PINION GEAR	4.15
6	P306286	P306287	P306288	-	MAIN SHAFT ASSY.	2.70	31	P306267	-	P306266	-	HANDLE ASSY.	6.15
7	P306306	-	-	-	ROTOR RETNG NUT	0.70	32	P306314	-	-	-	SIDE PLTE SCRW	0.70
8	P306302	-	-	-	WASHER	0.70	33	P306251	P306252	P306255	P306256	SIDE PLTE	6.00
9	P306394	-	-	-	RETNG RING	0.70	34	P306382	-	-	-	BUSHING	1.00
10	P306262	P306264	P306258	P306260	ROTOR	8.70	35	P306268	-	-	-	MAIN GEAR	4.70
11	-	-	-	-	-	-	36	P306320	-	P306321	-	RETNG PLTE SCRW	0.70
12	P306312	-	-	-	COVER SCREW	0.70	37	-	-	-	-	-	-
13	P306393	-	P306389	-	COVER	1.35	38	P306282	-	P306383	-	OSCLTNG SLIDER	1.35
14	P306303	-	P306304	-	BL ARM LVR WSHR	0.70	39	P306278	-	P306276	-	OSCLTNG GEAR	1.35
15	P306297	P306298	P306296	P306295	BL ARM LVR	1.35	40	P306234	P306235	P306238	P306239	MAIN BODY	13.35
16	P306313	-	-	-	BL ARM LVR SCREW	0.70	41	P306299	-	P306301	-	ANTI-REVSE LVR	1.35
17	P306353	P306354	P306346	-	BL ARM LVR SPRNG	0.70	42	P306313	-	-	-	SCREW	0.70
18	P306311	-	-	-	SCREW	0.70	43	P306334	-	-	-	RETNG WSHR	0.35
19	P306344	-	-	-	BL ARM SPRNG	0.70	44	P306307	-	-	-	HNDLE RETNG SCRW	0.90
20	P306317	-	-	-	LNE ROLLER SCREW	0.70	45-59	-	-	-	-	-	-
21	-	-	-	-	-	-	60	P306292	-	P306291	-	ANTI-REVSE LVR SHFT	1.50
22	P306294	-	-	-	BL ARM CAM	1.15	61	P306342	-	-	-	ANTI-REVSE SPRNG	0.70
23	P306333	-	P306383	-	WASHER	0.70	62	P306336	-	P306337	-	WASHER	0.70
24	P306323	-	-	-	LNE ROLLER	1.35	63	P306375	-	P306376	-	ANTI-REVSE CLAW	0.70
25	P306360	P306362	P306356	P306358	BL ARM ASSY.	2.80	64	P306313	-	-	-	CLAW SCREW	0.70