

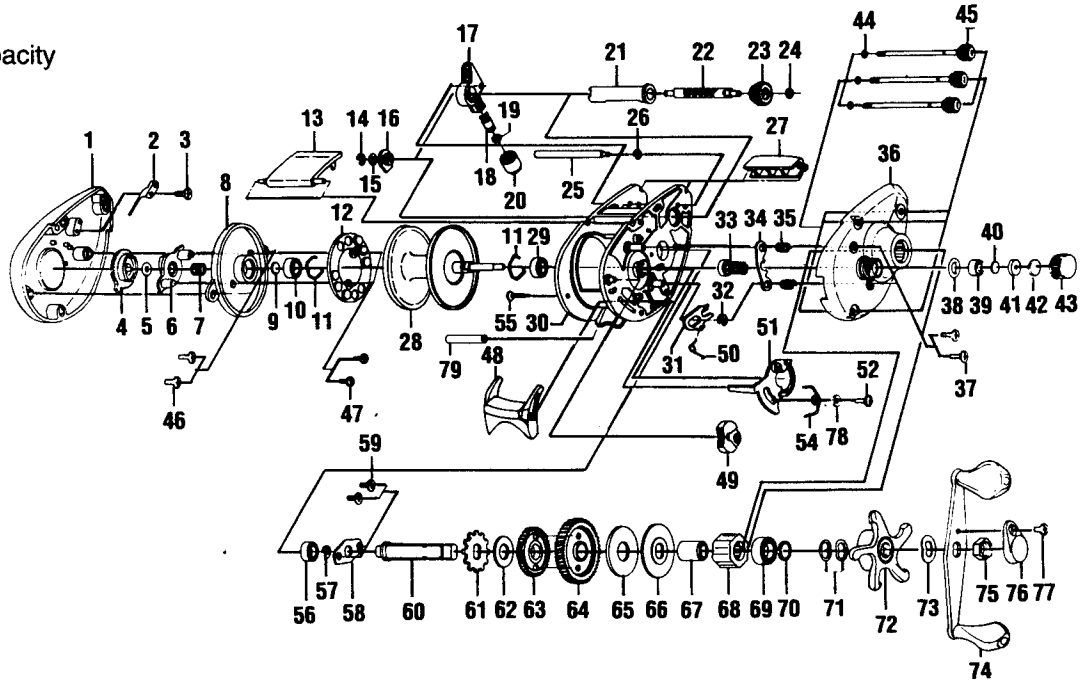
BROWNING® Aggressor A640

SPECIFICATIONS:

120 yds./14 lb. Line Capacity
 9.4 oz. Weight
 4.4:1 Gear Ratio
 5 BB; 1 RB
 Right Hand

FEATURES:

Flippin' Switch
 Thumb Bar
 Constant Anti-Reverse
 Magnetic Cast Control
 Adjustment
 Color - Light Grey



Key No.	Part No.	Description	Price	Key No.	Part No.	Description	Price
1	RW023-02	Side Cover	7.58	40	QW032-01	Washer - Spool Tension	.4
2	QW108-01	Clicker	.67	41	QW081-01	Collar	.9
3	QW125-01	Clicker Screw	.46	42	QW082-01	Cushion Washer - Spool	2.8
4	QW026-02	Magnet Control Dial	1.24	43	QW033-01	Spool Tension Knob	2.8
5	NX105-01	Dial Friction Ring	.62	44	QW073-01	Ring - Thumb Screw Ret.	.7
6	QW028-01	Slide Cam	.72	45	QW374-01	Thumb Screw	2.9
7	NX071-01	Slide Cam Spring	.52	46	QW125-01	Screw - Spool Cover	.4
8	QW051-01	Spool Cover	1.75	47	QW076-01	Screw - Magnet Ring	.6
9	QW032-01	Spool Tension Shim	.52	48	TW009-01	Thumb Bar	.6
10	SW017-01	Bearing - Spool Shaft	6.80	49	SW087-01	Flippin Switch	.6
11	QW080-01	Clip Ring	.52	50	QW097-01	Spring Kick Lever	.4
12	QW330-01	Magnet Plate Assy	2.88	51	SW039-01	Release Slider	1.9
13	QW027-09	Hood	2.54	52	QW076-01	Screw - Release Slider	.6
14	NX092-01	E-Clip (Worm Shaft)	.30	54	SW104-01	Spring Release Slider	.4
15	QW035-03	Washer (Worm Shaft)	.26	55	SW050-01	Thumb Bar Retaining Screw	.6
16	QW067-01	Worm Shaft Bushing	.67	56	SW017-01	Bearing Crankshaft	6.1
17	QW347-01	Line Guide Carrier	2.78	57	QW120-01	E-Ring Crankshaft	.4
18	QW006-01	Line Guide Pawl	2.78	58	QW002-01	Retainer - Crankshaft	.4
19	QW035-03	Washer (L/G Pawl)	.26	59	QW107-01	Screw - Crankshaft Retainer	.4
20	QW007-01	Line Guide Carrier Screw	.26	60	QW008-01	Crankshaft	2.2
21	QW016-01	Worm Shaft Guide	1.13	61	QW083-01	Trip Ratchet	.4
22	QW072-01	Worm Shaft	4.43	62	QW111-01	Washer	.4
23	QW085-01	Level Wind Gear	.88	63	QW112-01	Gear - L/W Idler	.4
24	NX090-01	E-Ring (L/W Gear)	.41	64	XW012-01	Drive Gear	10.8
25	QW061-02	Stabilizer Bar	1.60	65	QW059-01	Drag Disc	1.7
26	NX090-01	E-Ring (Stabilizer Bar)	.41	66	QW045-01	Drag Washer	.4
27	QW099-09	Front Support	2.97	67	QW052-01	Clutch Sleeve	2.8
28	QW321-01	Spool Assy	14.85	68	QW063-01	Anti-Reverse Clutch	10.8
29	SW017-01	Bearing	6.80	69	TW058-01	Bearing - Crankshaft Top	7.2
30	SW001-03	Frame	6.31	70	TW035-02	Washer - Crankshaft	.4
31	SW077-01	Kick Lever	.93	71	QW046-02	Spring "D" Washer	.9
32	QW120-01	E-Ring (Kick Lever)	.26	72	RW055-02	Drag Star	1.9
33	XW311-01	Pinion Gear	10.08	73	QW054-01	Handle Washer	.7
34	SW025-01	Pinion Yoke	.67	74	RW318-02	Handle Assy	9.0
35	QW040-01	Spring - Pinion Yoke	.67	75	QW003-01	Handle Nut	.3
36	SW024-08	Side Cover	5.78	76	QW034-02	Handle Nut Cap	.6
37	QW053-01	Screw (Side Cover)	.67	77	QW123-01	Handle Nut Cap Screw	.1
38	QW101-01	Tension Knob Ring	.26	78	SW121-01	Washer - Release Slider	.5
39	SW117-01	Bearing	6.80	79	SW094-01	Spacer	.4

MODEL INTRODUCED	1996	EFFECTIVE DATE OF PARTS LIST/DIAGRAM	Oct. 1996	DISCONTINUED	N/A
-------------------------	------	---	-----------	---------------------	-----

Prices subject to change without notice. Prices do not include postage and handling.

PLEASE ORDER BY PART NUMBER Zebco Division Brunswick Corporation, Box 270, Tulsa, OK 74101 USA 918-831-6965

