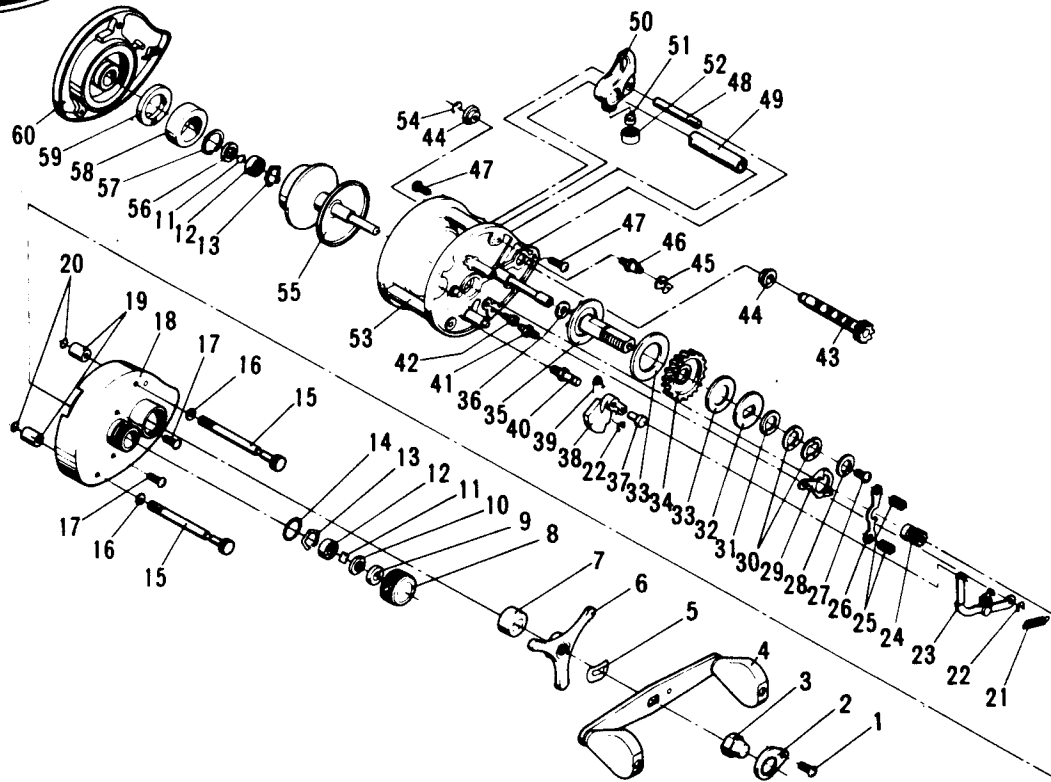




BB1LMG



Key No.	Part No.	Description	Price	Key No.	Part No.	Description	Pric
1	P306001	Handle Locking Plate Screw	.30	32	P306098	Drag Pressure Plate	.6
2	P306002	Handle Locking Plate	2.65	33	P306101	Fiber Drag Washer	.8
3	P306006	Handle Retaining Nut	1.40	34	P306109	Main Gear	7.3
4	P306011	Handle	7.70	35	P306127	Ratchet Gear Assembly	9.0
5	P306013	Tri Star Drag Tension Plate	.30	36	P306129	Drive Shaft Assembly Washer	.3
6	P306019	Tri Star Drag Control	5.70	37	P306113	Spool Release Button Pin	.3
7	P306022	Drag Collar	.30	38	P306117	Spool Release Button	2.8
8	P306027	Cast Control Cap	1.85	39	P306120	Spool Release Button Spring	.3
9	P306031	Cast Control Tension Spring	.65	40	P306122	Spool Release Button Post Screw	.7
10	P306212	Cast Control Tension Assembly	1.30	41	P306130	Kick Lever Screw	1.1
11	P306035	Friction Shim	.30	42	P306132	Stopper Pin	.3
12	P306036	Oilless Bearing	12.00	43	P306178	Level Wind Gear	9.2
13	P306038	Bearing Retaining Spring	.30	44	P306181	Oilless Bushing	.5
14	P306039	Cast Control O-Ring	.55	45	P306186	Anti Reverse Claw	2.2
15	P306045	Side Plate Finger Screws	6.75	46	P306190	Stabilizer Bar Screw	.9
16	P306046	Washer	.30	47	P306191	Level Wind Gear Guard	.3
17	P306048	Side Plate Retaining Screw	.30	48	P306196	Level Wind Stabilizer Bar	2.0
18	P306057	Right Side Plate	18.25	49	P306192	Level Wind Gear Guard	1.2
19	P306066	Side Plate Screw Ring	.65	50	P306207	Line Guide Block	5.1
20	P306068	O-Ring	.30	51	P306202	Pawl (Steel)	3.4
21	P306069	Slider Spring	.30	51	P306203	Pawl (Zirconia)	6.8
22	P306070	Retaining Ring	.30	52	P306201	Line Guide Block Cap	1.5
23	P306072	Slider Assembly	5.35	53	P306138	Main Body Assembly	30.8
24	P306077	Pinion Gear	6.45	55	S630004	U Spool Standard	28.2
25	P306081	Clutch Spring	.30	57	P306152	Brake Block	.5
26	P306083	Clutch Lever	.85	57	P306154	Retaining Ring	.4
27	P306090	Drive Shaft Retaining Screw	.30	58	P306156	Magnet Assembly	9.3
28	P306091	Drive Shaft Retaining Screw Washer	.30	58	P306157	Magnet Assembly	9.3
29	P306086	Clutch Cam	.90	59	P306159	Magnet Retaining Ring	.5
30	P306092	Drag Spring Washer	.55	60	P306170	Left Side Plate	22.0
31	P306094	Drag Pressure Plate Washer	.30				

Prices subject to change without notice. Prices do not include postage and handling.

PLEASE ORDER BY PART NUMBER

Rev. 6/95

Zebco Division Brunswick Corporation, Box 270, Tulsa, OK 74101 USA 918-836-5581

