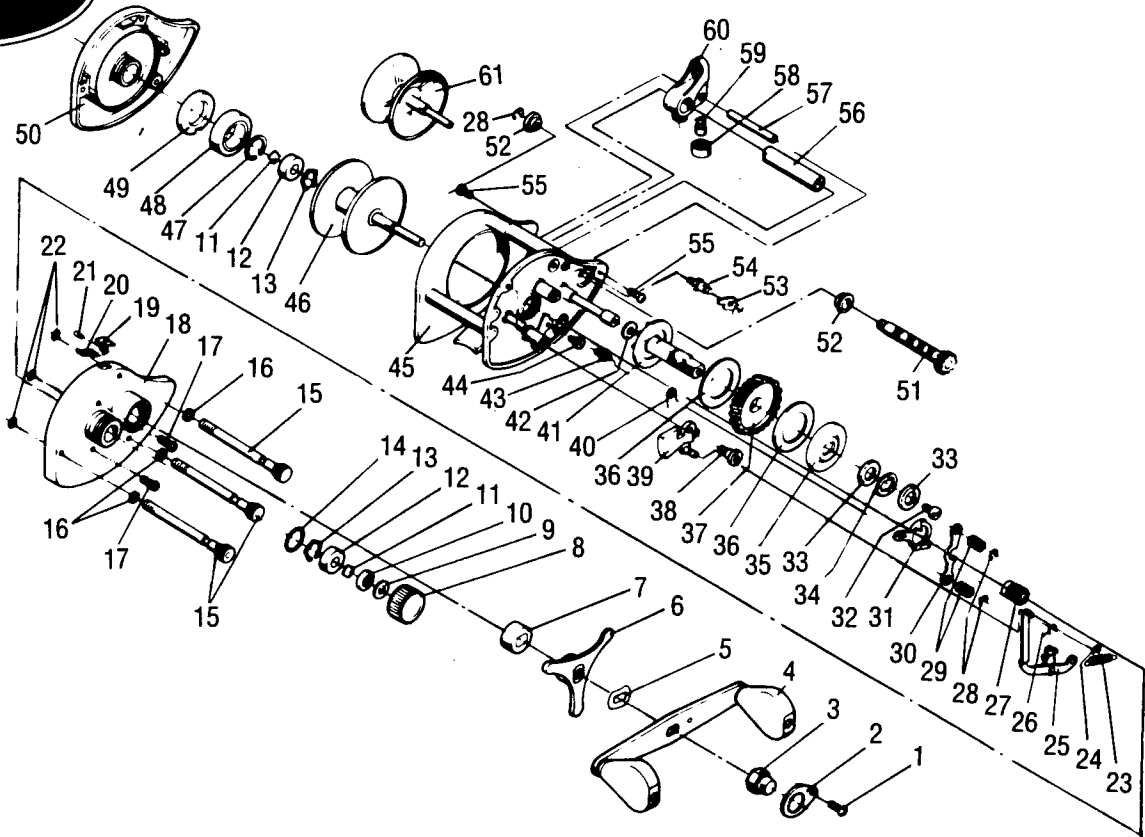




BB1M



| Key No. | Part No. | Description | Price | Key No. | Part No. | Description | Price |
|---------|----------|--------------------------------|-------|---------|----------|-----------------------------|-------|
| 1 | P306000 | Handle Locking Plate Screw | .30 | 33 | P306094 | Drag Pressure Plate Washer | .30 |
| 2 | P306002 | Handle Locking Plate | 2.65 | 34 | P306092 | Drag Spring Washer | .55 |
| 3 | P306005 | Handle Retaining Nut | 1.40 | 35 | P306097 | Drag Pressure Plate | 1.10 |
| 4 | P306008 | Handle | 6.45 | 36 | P306102 | Fiber Drag Washer | 1.10 |
| 5 | P306013 | Tri Star Drag Tension Plate | .30 | 37 | P306107 | Main Gear | 9.40 |
| 6 | P306017 | Tri Star Drag Control | 6.45 | 38 | P306112 | Spool Release Button Screw | 1.05 |
| 7 | P306023 | Drag Collar | .45 | 39 | P306114 | Spool Release Button | 2.85 |
| 8 | P306026 | Cast Control Cap | 2.20 | 40 | P306119 | Spool Release Button Spring | .30 |
| 9 | P306031 | Cast Control Tension Spring | .65 | 41 | P306126 | Ratchet Gear Assembly | 12.70 |
| 10 | P306030 | Cast Control Tension Assembly | 1.30 | 42 | P306129 | Drive Shaft Assembly Washer | .30 |
| 11 | P306035 | Friction Shim | .30 | 43 | P306130 | Kick Lever Screw | 1.10 |
| 12 | P306037 | Oilless Bearing | .85 | 44 | P306131 | Stopper Pin | .55 |
| 13 | P306038 | Bearing Retaining Spring | .30 | 45 | P306139 | Main Body Assembly | 35.45 |
| 14 | P306039 | Cast Control O-Ring | .55 | 46 | P306147 | U Spool Standard | 35.00 |
| 15 | P306040 | Side Plate Finger Screws | 8.15 | 47 | P306154 | Retaining Ring | .45 |
| 16 | P306046 | Washer | .30 | 48 | P306156 | Magnet Assembly | 9.30 |
| 17 | P306047 | Side Plate Retaining Screw | .30 | 48 | P306157 | Magnet Assembly | 9.30 |
| 18 | P306059 | Right Side Plate | 16.85 | 49 | P306159 | Magnet Retaining Ring | .55 |
| 19 | P306063 | Anti Reverse Button | .55 | 50 | P306171 | Left Side Plate | 29.55 |
| 20 | P306064 | Anti Reverse Spring | .30 | 51 | P306176 | Level Wind Gear | 12.65 |
| 21 | P306065 | Anti Reverse Pin | .55 | 52 | P306181 | Oilless Bushing | .55 |
| 22 | P306068 | O-Ring | .30 | 53 | P306185 | Anti Reverse Claw | 1.50 |
| 23 | P306069 | Slider Spring | .30 | 54 | P306188 | Anti Reverse Claw Screw | .85 |
| 24 | P306070 | Retaining Ring | .30 | 55 | P306190 | Stabilizer Bar Screw | .30 |
| 25 | P306071 | Slider Assembly | 3.20 | 56 | P306191 | Level Wind Gear Guard | 2.00 |
| 26 | P306073 | Slider Assembly Retaining Clip | .30 | 57 | P306195 | Level Wind Stabilizer Bar | 1.90 |
| 27 | P306075 | Pinion Gear | 9.90 | 58 | P306200 | Line Guide Block Cap | 1.30 |
| 28 | P306079 | Retaining Clip | .30 | 59 | P306202 | Pawl (Steel) | 3.45 |
| 29 | P306080 | Clutch Spring | .30 | 59 | P306203 | Pawl (Zirconia) | 6.85 |
| 30 | P306083 | Clutch Lever | .85 | 60 | P306205 | Line Guide Block | 4.85 |
| 31 | P306085 | Clutch Cam | 1.10 | 61 | P306142 | V Spool | 34.65 |
| 32 | P306090 | Drive Shaft Retaining Screw | .30 | | | | |

Prices subject to change without notice. Prices do not include postage and handling.

PLEASE ORDER BY PART NUMBER

Rev. 6/95

Zebco Division Brunswick Corporation, Box 270, Tulsa, OK 74101 USA 918-836-5581

