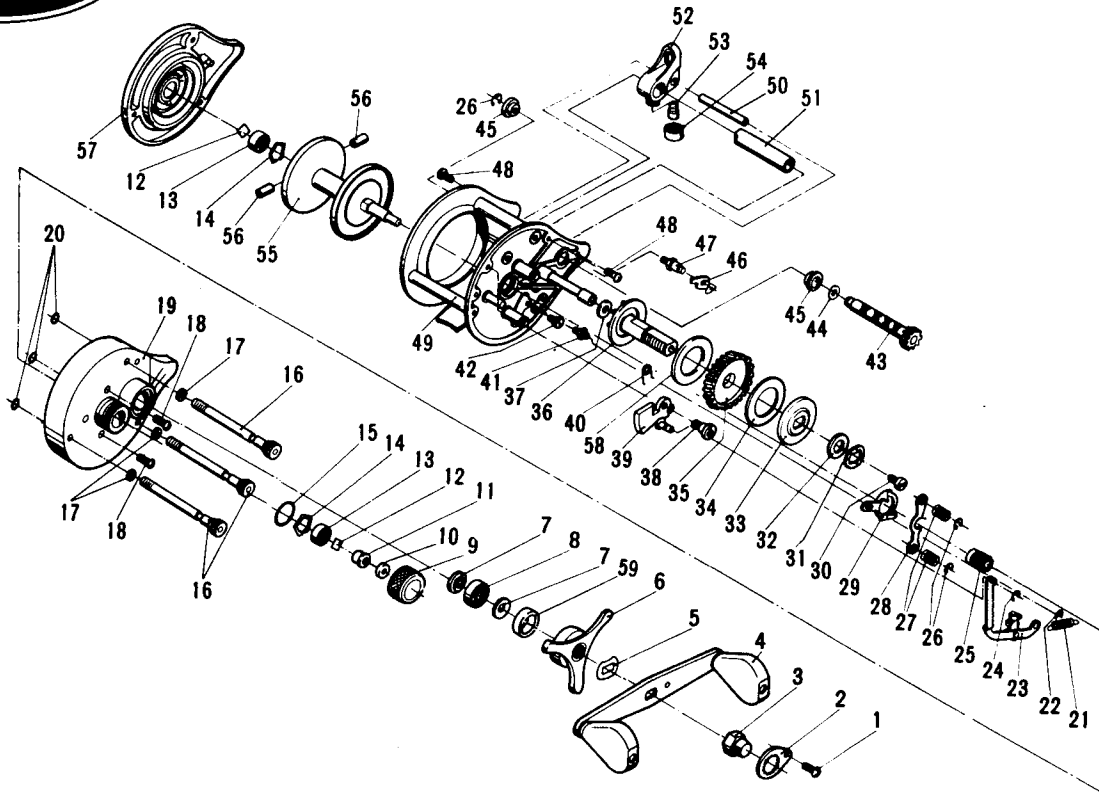




BB1NSW



Key No.	Part No.	Description	Price	Key No.	Part No.	Description	Price
1	BI123-01	Handle Nut Lock Screw	.35	31	BI046-01	Spring "D" Washer	.95
2	BI034-01	Handle Nut Lock Plate	1.40	32	BI038-01	Main Shaft Washer	.65
3	BI003-01	Handle Nut	1.85	33	BI045-01	Drag "D" Washer	1.65
4	BI318-01	Handle	8.50	34	BI059-01	Drag Disc (U)	1.95
5	BI054-01	Handle Washer	1.30	35	BI012-01	Drive Gear	7.25
6	BI355-01	Star Drag	8.65	36	BI308-01	Crank Shaft	10.15
7	BI088-01	Crank Shaft Bearing Collar	1.60	37	BI135-01	Crank Shaft Washer	.70
8	BI058-01	Crank Shaft Bearing	13.60	38	BI076-01	Push Button Screw	.70
9	BI033-01	Tension Knob	3.35	39	BI062-01	Push Button	2.45
10	BI082-01	Spool Cushion Collar	.70	40	BI097-01	Push Button Spring	.65
11	BI081-01	Spool Tension Collar	2.75	41	BI068-01	Latch Plate Post	1.00
12	BI032-01	Spool Tension Washer	.70	42	BI102-01	Latch Plate Guide Screw	.65
13	BI117-01	Tension Knob Bearing	11.70	43	BI372-01	Worm Shaft	7.95
14	BI080-01	Bearing Retainer	.50	44	BI035-01	Level Wind Gear Washer	.80
15	BI101-01	Tension Knob O-Ring	1.40	45	BI067-01	Worm Shaft Bush (R)	1.00
16	BI374-01	Thumb Screw	7.30	46	BI363-01	Anti Reverse Pawl	2.30
17	BI121-01	Thumb Screw Washer	.50	47	BI098-01	Anti Reverse Pawl Post	1.40
18	BI053-01	Side Cover Screw	.50	48	BI107-01	Carrier Guide Screw	.25
19	BI324-01	Right Side Cover	31.00	49	BI301-01	Frame	64.50
20	BI073-01	Thumb Screw Retaining Ring	.70	50	BI061-01	Carrier Guide	2.15
21	BI104-01	Latch Spring	.65	51	BI016-01	Worm Shaft Guide	2.35
22	BI092-01	E-Ring	.25	52	BI347-01	Line Guide Carrier	3.25
23	BI076-01	Latch Plate	3.95	53	BI006-01	Line Guide Pawl	6.30
24	BI120-01	E-Ring	.25	54	BI007-01	Line Guide Carrier Screw	1.70
25	BI311-01	Pinion Gear	5.95	55	BI321-01	Spool	33.55
26	BI090-01	E-Ring	.25	56	BI044-01	Brake Shoe	1.40
27	BI040-01	Yoke Spring	.50	57	BI323-01	Left Side Cover	22.75
28	BI025-01	Pinion Yoke	1.75	58	BI060-01	Drag Disc (L)	1.00
29	BI039-01	Release Slider	1.85	59	BI066-01	Crank Shaft Outer Bushing	1.40
30	BI125-01	Crank Shaft Retaining Screw	.65				

Prices subject to change without notice. Prices do not include postage and handling.

PLEASE ORDER BY PART NUMBER

Rev. 6/95

Zebco Division Brunswick Corporation, Box 270, Tulsa, OK 74101 USA 918-836-5581

