

QUANTUM

BR180 / BR380

SPECIFICATIONS:

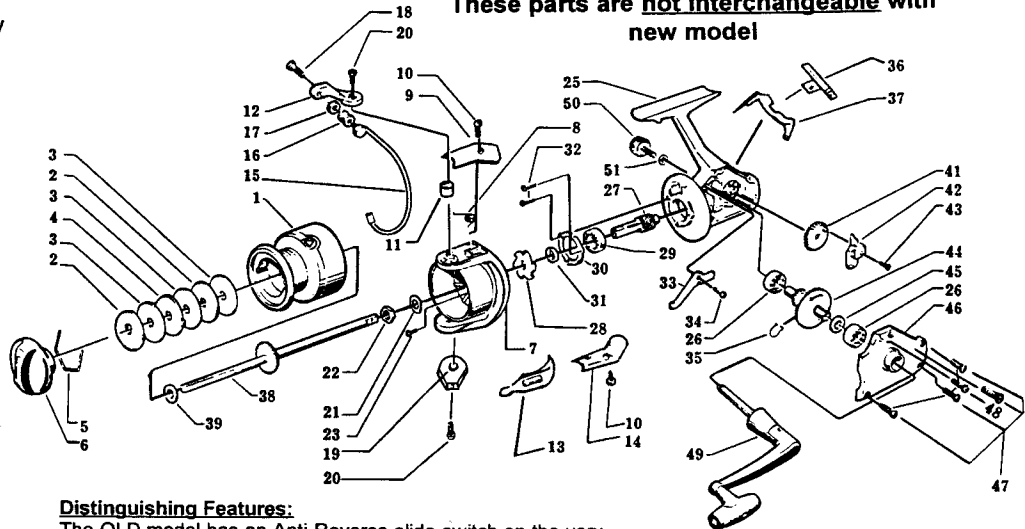
Heavy Salt Water
 350 yds./20 lb. Line Capacity
 4.5:1 Ratio
 26.0 oz. Weight
BR180 = 1 Ball Bearing
BR380 = 3 Ball Bearings

FEATURES

Front-loaded, heat dissipating Magnum Drag System
 Thick-wall reinforced body and side plate
 Oversized line roller reduces line friction
 Long Stroke aluminum spool
 Corrosion-resistant, stainless-steel hardware

WARNING!

These parts are **not interchangeable** with new model



Distinguishing Features:

The OLD model has an Anti-Reverse slide switch on the very back of the reel. The NEW model has an Anti-Reverse lever on the bottom of reel just behind rotor.

Special Handling Instructions: If specific model version cannot be identified for parts order, send one of each part (for old and new model) and charge for one part.

Key No.	BR180 Part No.	BR380 Part No.	Description	Price	Key No.	BR180 Part No.	BR380 Part No.	Description	Price
1	BH321-51	BH321-52	Spool Assy.	11.54	27	BH011-51	BH011-51	Pinion	3.24
2	BH081-51	BH081-51	Spool Washer 'A'	.93	28	BH060-51	BH060-51	Ratchet	1.24
3	BH033-51	BH033-51	Spool Washer 'B'	.62	29	BH028-51	BH028-51	Ball Bearing	7.73
4	BH080-51	BH080-51	Spool Washer 'D'	1.60	30	BH040-51	BH040-51	Bearing Plate	1.24
5	BH038-51	BH038-51	Drag Retainer	1.03	31	BH110-51	BH110-51	Pinion Collar	1.24
6	BH332-51	BH332-51	Drag Knob Assy.	3.35	32	BH041-51	BH041-51	Bearing Screw	.52
7	BH009-51	BH009-52	Rotor	6.70	33	BH063-51	BH063-51	Stopper	1.24
8	BH022-51	BH022-51	Bail Spring	1.03	34	BH077-51	BH077-51	Stopper Screw	.52
9	BH046-51	BH046-51	Arm Lever Cover	1.03	35	BH086-51	BH086-51	Silent Spring	.52
10	BH085-51	BH085-51	Cover Screw	.52	36	BH059-51	BH059-51	Anti-Reverse Lever	1.03
11	BH161-51	BH161-51	Arm Lever Boss Collar	1.24	37	BH089-51	BH089-51	A/R Lever Spring	1.03
12	BH007-51	BH007-51	Arm Lever	1.60	38	BH315-51	BH315-51	Main Shaft Assy.	2.99
13	BH019-51	BH019-51	Kick Lever	1.60	39	BH030-51	BH030-51	Click Gear Washer	.93
14	BH024-51	BH024-51	Kick Lever Cover	1.03	41	BH053-51	BH053-51	Oscillating Gear	1.60
15	BH347-51	BH347-51	Bail Assy.	3.19	42	BH025-51	BH025-51	Oscillating Slider	2.11
16	BH004-51	BH004-51	Line Roller	2.68	43	BH100-51	BH100-51	Main Shaft Screw	.52
17	BH102-51	BH102-51	Roller Collar	1.24	44	BH012-51	BH012-51	Drive Gear	3.14
18	BH108-51	BH108-51	Bail Screw	.93	45	BH026-51	BH026-51	Adjust Washer	1.03
19	BH017-51	BH017-51	Bail Holder	2.68	46	BH023-51	BH023-52	Body Cover	2.68
20	BH044-51	BH044-51	Bail Holder Screw	.93	47	BH057-51	BH057-51	Body Cover Screw 'A'	.52
21	BH065-51	BH065-51	Lock Washer	.52	48	BH163-51	BH163-51	Body Cover Screw 'B'	.52
22	BH006-51	BH006-51	Rotor Nut	1.24	49	BH318-51	BH318-51	Handle Assy.	7.21
23	BH094-51	BH094-51	Rotor Nut Lock Screw	.62	50	BH073-51	BH073-51	Handle Screw Cap	1.24
25	BH001-51	BH001-52	Body	6.70	51	BH105-51	BH105-51	Handle Cap Washer	.93
26	BH027-51	N/A	Bushing	.75					
26	N/A	BH027-52	Bearing	7.73					

MODEL INTRODUCED	1994	EFFECTIVE DATE OF PARTS LIST/DIAGRAM	Sept. 1996	DISCONTINUED	N/A
------------------	------	--------------------------------------	------------	--------------	-----

Prices subject to change without notice. Prices do not include postage and handling.

PLEASE ORDER BY PART NUMBER Zebco Division Brunswick Corporation, Box 270, Tulsa, OK 74101 USA 918-831-6965

