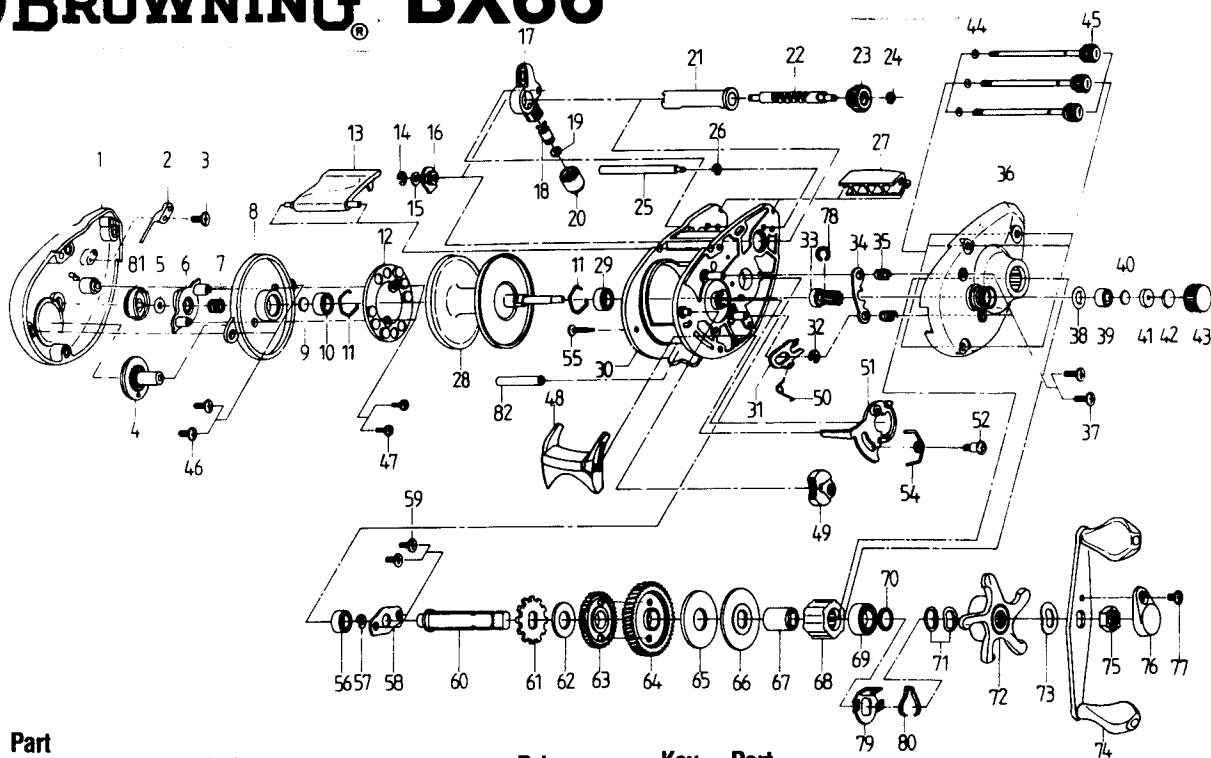


BROWNING BX66



Key No.	Part No.	Description	Price	Key No.	Part No.	Description	Price
1	TW023-03	LEFT SIDE COVER	7.36	42	QW082-01	CUSHION WASHER - SPOOL	0.21
2	QW108-01	CLICKER	0.26	43	QW033-02	SPOOL TENSION KNOB	1.91
3	QW125-01	SCREW - CLICKER	0.26	44	QW073-01	RING - THUMB SCREW RET.	0.31
4	TW026-02	MAGNET CONTROL DIAL	1.03	45	QW374-01	THUMB SCREW	3.40
5	NX105-01	DIAL FRICTION RING	0.26	46	QW125-01	SCREW - SPOOL COVER	0.26
6	QW028-01	SLIDE CAM	0.31	47	QW076-01	SCREW - MAGNET RING	0.21
7	NX071-01	SLIDE CAM SPRING	0.26	48	TW009-01	THUMB BAR	0.67
8	QW051-01	SPOOL COVER	1.13	49	SW087-01	FLIPPIN SWITCH	0.21
9	QW032-01	SPOOL TENSION SHIM	0.26	50	QW097-01	SPRING - KICK LEVER	0.15
10	SW017-01	BEARING	6.59	51	SW339-01	RELEASE SLIDER	1.91
11	QW080-01	CLIP RING	0.26	52	QW076-01	SCREW - RELEASE SLIDER	0.21
12	QW330-01	MAGNET PLATE ASSY.	3.35	54	SW104-01	SPRING - RELEASE SLIDER	0.15
13	TW027-04	HOOD	2.47	55	SW050-01	THUMB BAR RETAINING SCREW	0.21
14	NX092-01	E-CLIP (WORM SHAFT)	0.15	56	SW017-01	BEARING - CRANKSHAFT	6.59
15	QW035-03	WASHER (WORM SHAFT)	0.15	57	QW120-01	E-RING - CRANKSHAFT	0.15
16	QW067-01	WORM SHAFT BUSHING	0.21	58	QW002-01	RETAINER - CRANKSHAFT	0.36
17	QW347-01	LINE GUIDE CARRIER	3.19	59	TW107-01	SCREW - CRANKSHAFT RETAINER	0.36
18	QW006-01	LINE GUIDE PAWL	3.19	60	QW008-01	CRANKSHAFT	2.73
19	QW035-03	WASHER (L/G PAWL)	0.15	61	QW083-01	TRIP RATCHET	0.62
20	QW007-02	LINE GUIDE CARRIER SCREW	0.88	62	QW111-01	WASHER	0.15
21	QW016-01	WORM SHAFT GUIDE	0.72	63	QW112-01	GEAR - L/W IDLER	0.57
22	QW072-01	WORM SHAFT	5.10	64	SW012-01	DRIVE GEAR	10.66
23	QW085-01	LEVEL WIND GEAR	0.57	65	QW059-01	DRAG DISC	1.34
24	NX090-01	E-RING (L/W GEAR)	0.15	66	QW045-01	DRAG WASHER	0.36
25	QW061-02	STABILIZER BAR	1.60	67	QW052-01	CLUTCH SLEEVE	2.21
26	NX090-01	E-RING (STABILIZER BAR)	0.15	68	QW063-01	ANTI-REVERSE CLUTCH	14.57
27	QW099-12	FRONT SUPPORT	2.88	69	TW058-01	BEARING - CRANKSHAFT TOP	6.13
28	QW321-01	SPOOL ASSY.	19.00	70	TW035-02	WASHER - CRANKSHAFT	0.15
29	SW017-01	BEARING	6.59	71	QW046-02	SPRING D WASHER	0.98
30	UW301-02	FRAME ASSY.	5.95	72	RW055-01	DRAG STAR	1.24
31	SW077-01	KICK LEVER	0.41	73	QW054-01	HANDLE WASHER	0.36
32	QW120-01	E-RING (KICK LEVER)	0.15	74	RW318-03	HANDLE ASSY.	8.81
33	SW311-01	PINION GEAR	8.14	75	QW003-01	HANDLE NUT	0.46
34	SW025-01	PINION YOKE	0.21	76	QW034-02	HANDLE NUT CAP	0.67
35	QW040-01	SPRING-PINION YOKE	0.21	77	QW123-03	HANDLE NUT CAP SCREW	0.67
36	SW024-04	RIGHT SIDE COVER	5.45	78	SW121-01	WASHER	0.15
37	QW053-02	SCREW (RT. SIDE COVER)	0.21	79	TW110-01	CLICK SPRING RETAINER	0.46
38	QW101-01	TENSION KNOB RING	0.31	80	TW114-01	CLICK SPRING	0.46
39	SW117-01	BEARING	6.33	81	UW026-02	MAGNET CONTROL CAM	1.03
40	QW032-01	WASHER - SPOOL TENSION	0.26	82	SW094-02	SPACER	4.43
41	QW081-01	COLLAR	0.15				

Prices subject to change without notice. Prices do not include postage and handling.

PLEASE ORDER BY PART NUMBER

Rev. 6/94

Zebco Division Brunswick Corporation, Box 270, Tulsa, OK 74101 USA 918-836-5581

