



E7-4 / E7-4A / E5-4 / E5-4A / E3-4 / E2-4

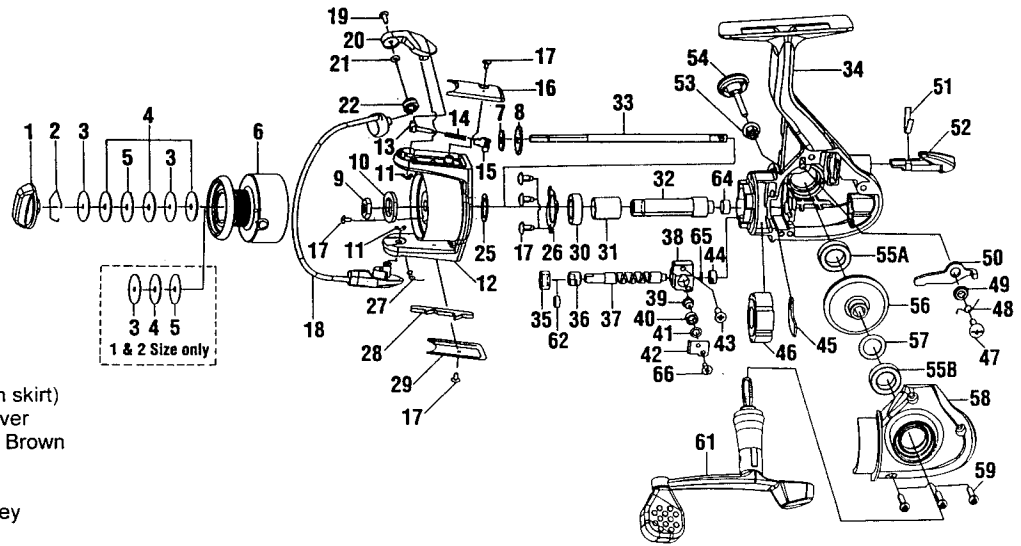
SPECIFICATIONS :

Medium Light Freshwater
 120 yds / 8 lb Line Capacity
 5.8:1 Gear Ratio
 10.8 oz.

Bearings: E7-4 - 6 BB; 1 RB
 E5-4 - 4 BB; 1 RB
 E3-4 - 2 BB; 1 RB
 E2-4 - 1 BB; 1 RB

FEATURES :

- Front Drag
- Tru-Balanced Rotor
- Balanced Handle
- Twist Reducer Line Roller
- Selective Continuous A/R
- Worm Gear Oscillation
- Spare Alum. Spool (E7-4 / E7-4A)
- Alum. Spool ("A" models w/ holes in skirt)
- Color: E7-4 - Light Silver
 E7-4A - Medium Brown
 E5-4 - Cream
 E5-4A - White
 E3-4 - Dark Grey
 E2-4 - Black



| Key No. | E7-4 / A | E5-4 / A | E3-4 | E2-4 | Description | Price |
|---------|----------|----------|----------|----------|---|-------|
| 1 | GH332-02 | GH332-01 | GH332-02 | GH332-03 | Drag Knob | 2.97 |
| 1 | GH332-11 | GH332-10 | | | Drag Knob | 2.97 |
| 2 | AQ038-01 | | | | Drag Retainer | 0.32 |
| 3 | TU080-01 | | | | Drag Washer "D" | 1.16 |
| 4 | GH033-01 | | | | Drag Washer "B" | 2.68 |
| 5 | TU081-01 | | | | Drag Washer "A" | 1.16 |
| 6 | GH321-04 | GH321-01 | GH321-02 | GH321-03 | Spool Asy. | 7.21 |
| 6 | GH321-10 | | N/A | N/A | Spool Asy. | 7.21 |
| 7 | TU030-01 | | | | Click Gear Washer | 0.96 |
| 8 | TU037-01 | | | | Click Gear Washer | 1.22 |
| 9 | RU006-01 | | | | Rotor Nut | 0.93 |
| 10 | TL065-01 | | | | Rotor "D" Washer | 1.16 |
| 11 | GH034-01 | | | | E-Clip | 0.32 |
| 12 | GH009-04 | GH009-01 | GH009-02 | GH009-03 | Rotor | 7.85 |
| 12 | GH009-12 | GH009-11 | N/A | N/A | Rotor | 7.85 |
| 13 | QL031-01 | | | | Bail Spring Shaft | 0.27 |
| 14 | KQ049-05 | | | | Bail Spring | 3.92 |
| 15 | QL020-01 | | | | Bail Spring Holder | 0.32 |
| 16 | GH087-04 | GH087-01 | GH087-02 | GH087-03 | Arm Lvr Spring Cvr | 2.67 |
| 16 | GH087-11 | GH087-10 | N/A | N/A | Arm Lvr Spring Cvr | 2.67 |
| 17A | UQ057-01 | | | | Screw | 0.32 |
| 17B | UQ057-03 | | | | Screw | 0.32 |
| 18 | GH347-04 | GH347-01 | GH347-02 | GH347-03 | Bail Assy. | 3.92 |
| 18 | GH347-13 | GH347-12 | N/A | N/A | Bail Assy. | 3.92 |
| 19 | AQ108-01 | | | | Line Slider Screw | 0.31 |
| 20 | GH007-04 | GH007-01 | GH007-02 | GH007-03 | Arm Lever | 2.39 |
| 20 | GH007-12 | GH007-11 | N/A | N/A | Arm Lever | 2.39 |
| 21 | GU105-25 | | | | Line Roller Washer | 0.32 |
| 22 | TU004-02 | | | | L/Roller w/Bearing | 6.90 |
| 23 | N/A | N/A | GH016-01 | | Line Roller Bushing | 1.16 |
| 24 | N/A | N/A | GH004-02 | | Line Roller | 4.69 |
| 25 | GU105-12 | | | | Rotor Washer | 0.32 |
| 26 | TU040-02 | | | | Bearing Plate | --- |
| 27 | GH049-01 | | | | Kick Lever Spring | 0.32 |
| 28 | GH019-01 | | | | Kick Lever | 1.11 |
| 29 | GH024-04 | GH024-01 | GH024-02 | GH024-03 | Kick Lever Cover | 2.76 |
| 29 | GH024-12 | GH024-11 | N/A | N/A | Kick Lever Cover | 2.76 |
| 30 | UK028-01 | | | | Pinion Ball Bearing | 5.57 |
| 31 | TU052-01 | | | | Bearing Sleeve | 2.76 |
| 31 | RU139-01 | | | | Use TU052-01 (bearing sleeve) & GH074-01 (clutch bearing) | |
| 32 | GH011-01 | | | | Pinion Gear | 3.55 |
| 33 | TU015-01 | | | | Main Shaft | 2.60 |

| Key No. | E7-4 / A | E5-4 / A | E3-4 | E2-4 | Description | Price |
|---------|----------|----------|----------|----------|---|-------|
| 34 | GH301-04 | GH301-01 | GH301-02 | GH301-03 | Body Assy. | 13.74 |
| 34 | GH301-08 | GH301-07 | N/A | N/A | Body Assy. | 13.74 |
| 35 | GH200-01 | | | | Level Wind Gear | 1.70 |
| 36 | N/A | TU202-01 | | | Wm Shft Bushng (L) | 0.31 |
| 36 | GH202-01 | N/A | N/A | N/A | Wm Shft Bearing (L) | 7.62 |
| 37 | TU201-01 | | | | Worm Shaft | 2.44 |
| 38 | GH204-01 | | | | Pawl Holder | 3.25 |
| 39 | TU207-01 | | | | Pawl | 2.71 |
| 40 | UQ208-03 | | | | Pawl Collar | 0.32 |
| 41 | RU209-01 | | | | Pawl Washer | 0.31 |
| 42 | FH205-01 | | | | Pawl Holder Retainer | 1.18 |
| 43 | UQ100-03 | | | | Main Shaft Screw | 0.41 |
| 44 | N/A | GH203-01 | | | Wm Shft Bushng (Rt) | 0.32 |
| 44 | GH202-02 | N/A | N/A | N/A | Wm Shft Bearing (Rt) | 7.62 |
| 45 | TU206-01 | | | | Worm Shaft Retainer | 1.60 |
| 46 | GH074-01 | | | | Clutch Bearing | 11.03 |
| 46 | RU074-01 | | | | Use GH074-01 (clutch bearing) & TU052-01 (bearing sleeve) | |
| 47 | GH077-01 | | | | A/R Pawl Screw | 0.32 |
| 48 | TU061-01 | | | | A/R Pawl Spring | 0.32 |
| 49 | TU091-01 | | | | A/R Pawl Post | 1.16 |
| 50 | RU063-01 | | | | A/R Pawl | 1.22 |
| 51 | GH089-01 | | | | A/R Lever Spring | 1.22 |
| 52 | GH090-03 | | GH090-02 | | A/R Lever | 2.58 |
| 52 | GH090-05 | GH090-04 | N/A | N/A | A/R Lever | 2.58 |
| 53 | RU105-01 | | | | Handle Cap Washer | 0.50 |
| 54 | ZQ073-01 | | | | Handle Cap Screw | 1.75 |
| 55A | BL157-01 | | | | Ball Bearing (Body) | 5.57 |
| 55A | N/A | N/A | GH013-01 | | Bushing (Body) | 1.65 |
| 55B | BL157-01 | | | | B. Brng (Body Cvr) | 5.57 |
| 55B | N/A | N/A | N/A | GH013-01 | Bushing (Body Cvr) | 1.65 |
| 56 | GH012-01 | | | | Drive Gear | 1.11 |
| 57 | GU105-13 | | | | Adjust Washer | 0.66 |
| 58 | GH023-04 | GH023-01 | GH023-02 | GH023-03 | Side Cover | 5.41 |
| 58 | GH023-08 | GH023-07 | N/A | N/A | Side Cover | 5.41 |
| 59 | KQ057-01 | | | | Side Cover Screws | 0.32 |
| 59 | KQ057-03 | | | | Side Cover Screws | 0.32 |
| 61 | GH318-03 | GH318-01 | GH318-02 | GH318-03 | Handle Assy. | 11.77 |
| 61 | GH318-07 | GH318-06 | N/A | N/A | Handle Assy. | 11.77 |
| 62 | GH212-01 | N/A | N/A | N/A | Worm Shaft Collar | 1.16 |
| 64 | RU141-01 | | | | Pinion Bushing | 1.60 |
| 65 | GU105-31 | | | | Worm Shaft Washer | 0.32 |
| 66 | GH123-01 | | | | Plate Screw | 0.93 |

↖ = Special parts for E7-4A and E5-4A.

△ = Send Key No.'s 38, 41, 42, and 66 if any of these are ordered.

□ = Send Key No.'s 53, 54, and 61 if either part is ordered.

▲ = Both parts must be shipped together if either one is ordered.

| | | |
|-------------------------|---|--------------------|
| MODEL INTRODUCED : 1998 | EFFECTIVE DATE OF PARTS LIST/DIAGRAM: Sept. '98 | DISCONTINUED : N/A |
|-------------------------|---|--------------------|

Prices subject to change without notice. Prices do not include postage and handling.

PLEASE ORDER BY PART NUMBER

Zebco, P.O. Box 270, Tulsa, Ok. 74101; 918-831-6965 Phone or 800-FIXREEL (349-7335) FAX

