

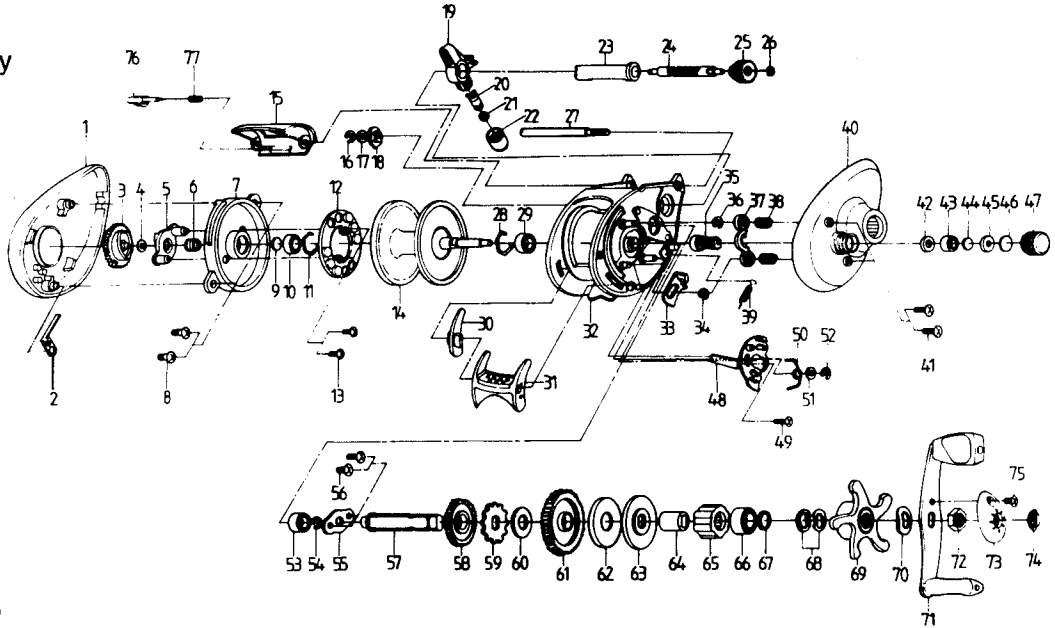
QUANTUM[®] E500 Energy

SPECIFICATIONS:

Medium Freshwater/Light Saltwater
 165 yds/12 lb. Line Capacity
 6.2:1 Ratio
 8.9 oz. Weight
 4 BB; 1 RB

FEATURES:

Continuous Anti-Reverse
 Adjustable Magnetic Anti-Backlash Control with exclusive "Super Free Spool" mode
 One-piece die-cast aluminum frame
 Rugged, lightweight aluminum spool
 Tough brass-alloy Magnum Gears
 Fast and convenient thumb bar clutch
 Color: Medium Grey



Key No.	Part No.	Description	Price	Key No.	Part No.	Description	Price
1	ZW023-02	Left Side Cover	8.50	39	ZW097-01	Kick Lever Spring	.65
2	ZW108-01	Clicker	1.00	40	ZW024-02	Right Side Cover	9.00
3	ZW026-01	Magnet Dial	1.60	41	QW123-01	Right Side Cover Screw	.67
4	NX105-01	Dial Friction Ring	.62	42	QW101-01	Spool Tension Knob O-Ring	.26
5	ZW028-01	Slide Cam	1.20	43	QW117-01	Spool Tension Knob Bushing	.64
6	NX071-01	Slide Cam Spring	.52	44	QW032-04	Spool Tension Washer	.52
7	ZW051-02	Spool Cover (Before H6)	2.80	45	QW081-01	Spool Tension Collar	.96
7	ZW051-03B	Spool Cover (After H6)	2.80	46	QW082-01	Spool Cushion Washer	.67
8	ZW125-01	Spool Cover Screw	1.00	47	ZW033-01	Spool Tension Knob	5.00
9	QW032-04	Spool Tension Shim	.52	48	ZW039-01	Release Slider	3.10
10	SW117-01	Ball Bearing - Spool Shaft (Before H6)	6.80	49	ZW053-01	Thumb Bar Screw	1.00
10	UW017-01	Ball Bearing - Spool Shaft (After H6)	6.80	50	ZW104-01	Release Slider Spring	1.00
11	QW080-01	Clip Ring	.52	51	SW121-01	Release Slider Guide Washer	.50
12	QW330-01	Magnet Plate Assy	2.88	52	NX090-01	Release Slider Guide E-Clip	.41
13	QW076-01	Magnet Plate Screw	.67	53	SW017-01	Crank Shaft Lower Bearing	6.80
14	ZW321-01B	Spool Assy	15.50	54	QW120-01	Crank Shaft E-Clip	.26
15	ZW027-02	Front Support	3.40	55	ZW002-01	Crank Shaft Retainer	1.20
16	NX092-01	Worm Shaft E-Clip	.30	56	TW107-01	Crank Shaft Retainer Screw	.10
17	QW035-03	Worm Shaft Washer	.26	57	ZW008-01	Crank Shaft	5.60
18	QW067-01	Worm Shaft Bushing	.67	58	ZW112-01	Oscillate Drive Gear	1.55
19	ZW347-01	Line Guide Carrier Assy	5.70	59	QW083-01	Trip Ratchet	.36
20	ZW006-01	Line Guide Pawl	2.80	60	QW111-01	Trip Ratchet Washer	.26
21	QW035-03	Line Guide Pawl Washer	.26	61	VW012-01	Drive Gear	10.95
22	ZW007-01	Pawl Cap Screw	2.85	62	QW059-01	Drag Disc	1.70
23	ZW016-01	Worm Shaft Guide	2.00	63	QW045-01	Drag "D" Washer	.82
24	ZW072-01	Worm Shaft	7.20	64	CW052-01	One Way Bearing Sleeve	2.88
25	ZW085-01	Oscillate Pinion Gear	1.75	65	UQ063-02	One Way Bearing	9.27
26	NX090-01	Oscillate Pinion Gear E-Clip	.41	66	TW058-01	Crank Shaft Ball Bearing	7.21
27	ZW061-01	Stabilizer Bar	2.80	67	TW035-02	Crank Shaft Washer	.46
28	QW080-01	Clip Ring	.52	68	QW046-02	Spring "D" Washer	.98
29	SW017-01	Ball Bearing - Spool Shaft	6.80	69	ZW055-01	Star Drag	2.80
30	ZW056-01	Thumb Bar Retainer	.50	70	QW054-01	Handle Washer	.72
31	ZW309-01	Thumb Bar Assy	1.00	71	ZW318-01	Handle Assy	6.35
32	ZW301-01	Frame Assy	18.00	72	QW003-03	Handle Nut	1.65
33	ZW077-01	Kick Lever	1.55	73	ZW034-01	Handle Nut Cap	1.00
34	QW120-01	Pinion Yoke Shaft E-Clip	.26	74	ZW130-01	Line Indicator	1.00
35	VW311-01	Pinion Gear Assy	10.25	75	QW123-01	Handle Nut Cap Screw	.15
36	QW120-01	Pinion Yoke Shaft E-Clip	.26	76	ZW119-01	Side Cover Locking Lever	1.00
37	ZW025-01	Pinion Yoke	1.00	77	ZW096-01	Locking Lever Spring	1.00
38	QW040-01	Pinion Yoke Spring	.67				

MODEL INTRODUCED	1995	EFFECTIVE DATE OF PARTS LIST/DIAGRAM	Oct. 1996	DISCONTINUED	N/A
------------------	------	--------------------------------------	-----------	--------------	-----

Prices subject to change without notice. Prices do not include postage and handling.

