

QUANTUM

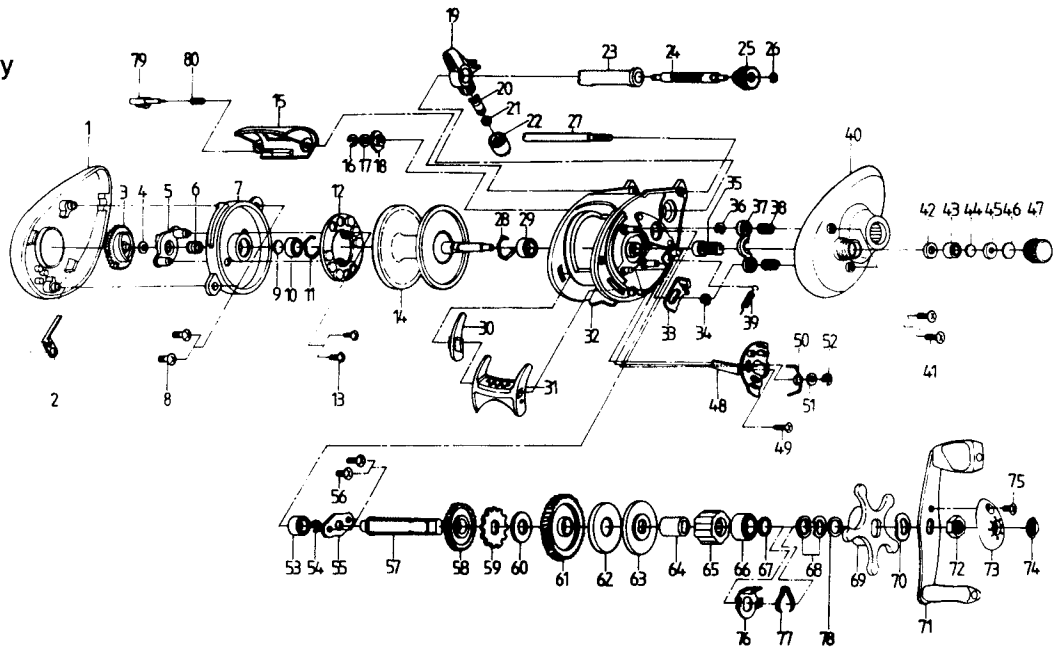
E500CP Energy

SPECIFICATIONS:

Medium Freshwater/Light Saltwater
165 yds/12 lb. Line Capacity
4.4:1 Ratio
8.9 oz. Weight
4 BB; 1 RB

FEATURES:

Continuous Anti-Reverse
Adjustable Magnetic Anti-Backlash Control with exclusive "Super Free Spool" mode
One-piece die-cast aluminum frame
Rugged, lightweight aluminum spool
Tough brass-alloy Magnum Gears
Fast and convenient thumb bar clutch
Color: Black



Key No.	Part No.	Description	Price	Key No.	Part No.	Description	Price
1	ZW023-04	Left Side Cover	8.50	41	QW123-01	Right Side Cover Screw	.15
2	ZW108-01	Clicker	1.00	42	QW101-01	Spool Tension Knob O-Ring	.26
3	ZW026-01	Magnet Dial	1.60	43	QW117-01	Tension Knob Ball Bushing	.64
4	NX105-01	Dial Friction Ring	.62	44	QW032-04	Spool Tension Washer	.65
5	ZW028-01	Slide Cam	1.20	45	QW081-01	Spool Tension Collar	.96
6	NX071-01	Slide Cam Spring	.52	46	QW082-01	Spool Cushion Washer	.67
7	ZW051-03B	Spool Cover	2.80	47	ZW033-02	Spool Tension Knob	5.00
8	ZW125-01	Spool Cover Screw	1.00	48	ZW039-01	Release Slider	3.10
9	QW032-04	Spool Tension Shim	.52	49	ZW053-01	Thumb Bar Screw	1.00
10	UW017-01	Ball Bearing - Spool Shaft	6.95	50	ZW104-01	Release Slider Spring	1.00
11	QW080-01	Clip Ring	.52	51	SW121-01	Release Slider Guide Washer	.50
12	QW330-01	Magnet Plate Assy	2.88	52	NX090-01	Release Slider Guide E-Clip	.41
13	QW076-01	Magnet Plate Screw	.67	53	SW017-01	Crank Shaft Lower Bearing	6.80
14	ZW321-01B	Spool Assy	15.50	54	QW120-01	Crank Shaft E-Clip	.26
15	ZW027-04	Front Support	2.85	55	ZW002-01	Crank Shaft Retainer	1.20
16	NX092-01	Worm Shaft E-Clip	.30	56	TW107-01	Crank Shaft Retainer Screw	.10
17	QW035-03	Worm Shaft Washer	.26	57	ZW008-01	Crank Shaft	5.60
18	QW067-01	Worm Shaft Bushing	.67	58	ZW112-01	Oscillate Drive Gear	1.55
19	ZW347-03	Line Guide Carrier Assy	5.70	59	QW083-01	Trip Ratchet	.36
20	ZW006-01	Line Guide Pawl	2.80	60	QW111-01	Trip Ratchet Washer	.26
21	QW035-03	Line Guide Pawl Washer	.26	61	RW012-01	Drive Gear	10.90
22	ZW007-02	Pawl Cap Screw	2.90	62	QW059-01	Drag Disc	1.70
23	ZW016-01	Worm Shaft Guide	2.00	63	QW045-01	Drag "D" Washer	.82
24	ZW072-01	Worm Shaft	7.20	64	CW052-01	One Way Bearing Sleeve	2.88
25	ZW085-01	Oscillate Pinion Gear	1.75	65	UQ063-02	One Way Bearing	9.27
26	NX090-01	Oscillate Pinion Gear E-Clip	.41	66	TW058-01	Crank Shaft Ball Bearing	7.21
27	ZW061-01	Stabilizer Bar	2.80	67	TW035-02	Crank Shaft Washer	.46
28	QW080-01	Clip Ring	.52	68	QW046-02	Spring "D" Washer	.98
29	SW017-02	Ball Bearing - Spool Shaft	6.95	69	VW355-01	Star Drag Assy	2.95
30	ZW056-02	Thumb Bar Retainer	.65	70	QW054-01	Handle Washer	.72
31	ZW309-02	Thumb Bar Assy	1.50	71	ZW318-02	Handle Assy	6.40
32	ZW301-03	Frame Assy	18.00	72	QW003-01	Handle Nut	.36
33	ZW077-01	Kick Lever	1.55	73	ZW034-02	Handle Nut Cap	1.00
34	QW120-01	Pinion Yoke Shaft E-Clip	.26	74	ZW130-02	Line Indicator	1.00
35	RW311-01	Pinion Gear Assy	5.77	75	QW123-05	Handle Nut Cap Screw	.20
36	QW120-01	Pinion Yoke Shaft E-Clip	.26	76	ZW110-01	Drag Click Spring Retainer	1.00
37	ZW025-01	Pinion Yoke	1.00	77	ZW114-01	Drag Click Spring	1.00
38	QW040-01	Pinion Yoke Spring	.67	78	ZW032-01	Star Drag Washer	1.25
39	ZW097-01	Kick Lever Spring	.65	79	ZW119-01	Side Cover Locking Lever	1.00
40	ZW024-04	Right Side Cover	9.00	80	ZW096-01	Locking Lever Spring	1.00

MODEL INTRODUCED	1997	EFFECTIVE DATE OF PARTS LIST/DIAGRAM	Oct. 1996	DISCONTINUED	N/A
------------------	------	--------------------------------------	-----------	--------------	-----

Prices subject to change without notice. Prices do not include postage and handling.

PLEASE ORDER BY PART NUMBER Zebco Division Brunswick Corporation, Box 270, Tulsa, OK 74101, USA 918 931 6065

