



E7-2 / E7-2A / E5-2 / E5-2A / E3-2 / E2-2

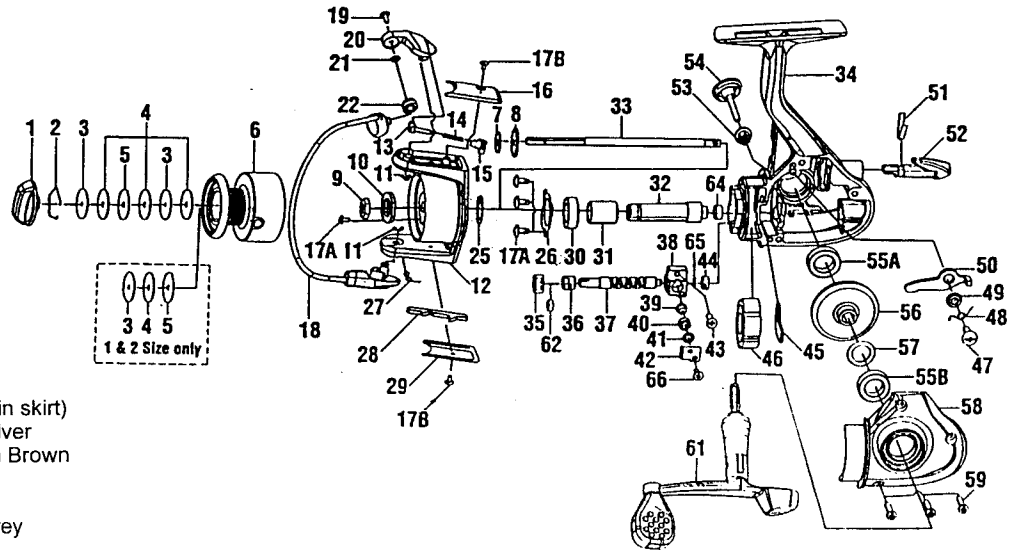
SPECIFICATIONS :

Medium Light Freshwater
 120 yds / 8 lb Line Capacity
 5.8:1 Gear Ratio
 10.8 oz.

Bearings: E7-2 - 6 BB; 1 RB
 E5-2 - 4 BB; 1 RB
 E3-2 - 2 BB; 1 RB
 E2-2 - 1 BB; 1 RB

FEATURES :

- Front Drag
- Tru-Balanced Rotor
- Balanced Handle
- Twist Reducer Line Roller
- Selective Continuous A/R
- Worm Gear Oscillation
- Spare Alum. Spool (E7-2 / E7-2A)
- Alum. Spool ("A" models w/ holes in skirt)
- Color: E7-2 - Light Silver
 E7-2A - Medium Brown
 E5-2 - Cream
 E5-2A - White
 E3-2 - Dark Grey
 E2-2 - Black



Key No.	E7-2 / A	E5-2 / A	E3-2	E2-2	Description	Price	Key No.	E7-2 / A	E5-2 / A	E3-2	E2-2	Description	Price
1	FH332-02	FH332-01	FH332-02	FH332-03	Drag Knob	2.97	34	FH301-07	FH301-01	FH301-02	FH301-03	Body Assy.	13.74
2	FH332-10	FH332-09	N/A	N/A	Drag Knob	2.97	34	FH301-12	FH301-11	N/A	N/A	Body Assy.	13.74
2	AQ038-01	←	←	←	Drag Retainer	0.32	35	FH200-01	←	←	←	Level Wind Gear	1.70
3	TU080-01	←	←	←	Drag Washer "D"	1.16	36	N/A	TU202-01	←	←	Wm Shft Bushng (L)	0.31
4	GH033-01	←	←	←	Drag Washer "B"	2.68	36	GH202-01	N/A	N/A	N/A	Wm Shft Bearing (L)	7.62
5	TU081-01	←	←	←	Drag Washer "A"	1.16	37	FH201-01	←	←	←	Worm Shaft	2.44
6	FH321-04	FH321-01	FH321-02	FH321-03	Spool Asy.	7.21	38	ZQ204-01	←	←	←	Pawl Holder	3.25
6	FH321-09	←	N/A	N/A	Spool Asy.	7.21	39	TU207-01	←	←	←	Pawl	2.71
7	TU030-01	←	←	←	Click Gear Washer	0.96	40	UQ208-03	←	←	←	Pawl Collar	0.32
8	TU037-01	←	←	←	Click Gear Washer	1.22	41	RU209-01	←	←	←	Pawl Washer	0.31
9	RU006-01	←	←	←	Rotor Nut	0.93	42	FH205-01	←	←	←	Pawl Holder Retainer	1.18
10	TL065-01	←	←	←	Rotor "D" Washer	1.16	43	UQ100-03	←	←	←	Main Shaft Screw	0.41
11	GH034-01	←	←	←	E-Clip	0.32	44	N/A	GH203-01	←	←	Wm Shft Bushng (Rt)	0.32
12	FH009-04	FH009-01	FH009-02	FH009-03	Rotor	7.85	44	GH202-02	N/A	N/A	N/A	Wm Shft Bearing (Rt)	7.62
12	FH009-11	FH009-10	N/A	N/A	Rotor	7.85	45	TU206-01	←	←	←	Worm Shaft Retainer	1.60
13	QL031-01	←	←	←	Bail Spring Shaft	0.27	46	GH074-01	←	←	←	Clutch Bearing	11.03
14	KQ049-05	←	←	←	Bail Spring	0.32	46	RU074-01	→→→ Use GH074-01 (clutch bearing) & TU052-01 (bearing sleeve)				
15	QL020-01	←	←	←	Bail Spring Holder	0.32	47	GH077-01	←	←	←	A/R Pawl Screw	0.32
16	FH087-04	FH087-01	FH087-02	FH087-03	Arm Lvr Spring Cvr	2.67	48	TU061-01	←	←	←	A/R Pawl Spring	0.32
16	FH087-11	FH087-10	N/A	N/A	Arm Lvr Spring Cvr	2.67	49	TU091-01	←	←	←	A/R Pawl Post	1.16
17A	UQ057-01	←	←	←	Screw	0.32	50	TU063-01	←	←	←	A/R Pawl	1.22
17B	UQ057-03	←	N/A	N/A	Screw	0.32	51	GH089-01	←	←	←	A/R Lever Spring	1.22
18	FH347-04	FH347-01	FH347-02	FH347-03	Bail Assy.	3.92	52	GH090-03	←	GH090-02	←	A/R Lever	2.58
18	FH347-12	FH347-11	N/A	N/A	Bail Assy.	3.92	52	GH090-05	←	GH090-04	N/A	A/R Lever	2.58
19	AQ108-01	←	←	←	Line Slider Screw	0.31	53	RU105-01	←	←	←	Handle Cap Washer	0.50
20	ZQ007-04	ZQ007-01	ZQ007-02	ZQ007-03	Arm Lever	2.39	54	ZQ073-01	←	←	←	Handle Cap Screw	1.75
20	ZQ007-11	ZQ007-10	N/A	N/A	Arm Lever	2.39	55A	BL157-01	←	←	N/A	Ball Bearing (Body)	5.57
21	GU105-25	←	←	←	Line Roller Washer	0.32	55A	N/A	N/A	GH013-01	←	Bushing (Body)	1.65
22	TU004-02	←	N/A	N/A	L/Roller w/Bearing	6.90	55B	BL157-01	←	←	N/A	B. Bearing (Body Cvr)	5.57
23	N/A	N/A	GH016-01	←	Line Roller Bushing	1.16	55B	N/A	N/A	N/A	GH013-01	Bushing (Body Cvr)	1.65
24	N/A	N/A	GH004-02	←	Line Roller	4.69	56	FH012-01	←	←	←	Drive Gear	1.11
25	GU105-12	←	←	←	Rotor Washer	0.32	57	GU105-13	←	←	←	Adjust Washer	0.66
26	N/A	N/A	N/A	N/A	Bearing Plate	---	58	FH023-07	FH023-01	FH023-02	FH023-03	Side Cover	5.41
27	GH049-01	←	←	←	Kick Lever Spring	0.32	58	FH023-11	FH023-10	N/A	N/A	Side Cover	5.41
28	FH019-01	←	←	←	Kick Lever	1.11	59	KQ057-01	←	←	←	Side Cover Screws	0.32
29	FH024-04	FH024-01	FH024-02	FH024-03	Kick Lever Cover	2.76	59	KQ057-03	←	←	←	Side Cover Screws	0.32
29	FH024-11	FH024-10	N/A	N/A	Kick Lever Cover	2.76	61	FH318-03	FH318-01	FH318-02	FH318-03	Handle Asy.	11.77
30	BL157-01	←	←	←	Pinion Ball Bearing	5.57	61	FH318-06	FH318-05	N/A	N/A	Handle Asy.	11.77
31	TU052-01	←	←	←	Bearing Sleeve	2.76	62	GH212-01	N/A	N/A	N/A	Worm Shaft Collar	1.16
31	RU139-01	→→→ Use TU052-01 (bearing sleeve) & GH074-01 (clutch bearing)					64	RU141-01	←	←	←	Pinion Bushing	1.60
32	FH011-01	←	←	←	Pinion Gear	3.55	65	GU105-31	←	←	←	Worm Shaft Washer	0.32
33	FH015-01	←	←	←	Main Shaft	2.60	66	GH123-01	←	←	←	Plate Screw	0.93

▼ = Special parts for E7-2A and E5-2A.

△ = Send Key No.'s 38, 41, 42, and 66 if any of these are ordered.

□ = Send Key No.'s 53, 54, and 61 if either part is ordered.

▲ = Both parts must be shipped together if either one is ordered.

MODEL INTRODUCED : 1998	EFFECTIVE DATE OF PARTS LIST/DIAGRAM: Sept. '98	DISCONTINUED : N/A
-------------------------	---	--------------------

Prices subject to change without notice. Prices do not include postage and handling.

PLEASE ORDER BY PART NUMBER

Zebco, P.O. Box 270, Tulsa, Ok. 74101; 918-831-6965 Phone or 800-FIXREEL (349-7335) FAX

