

QUANTUM

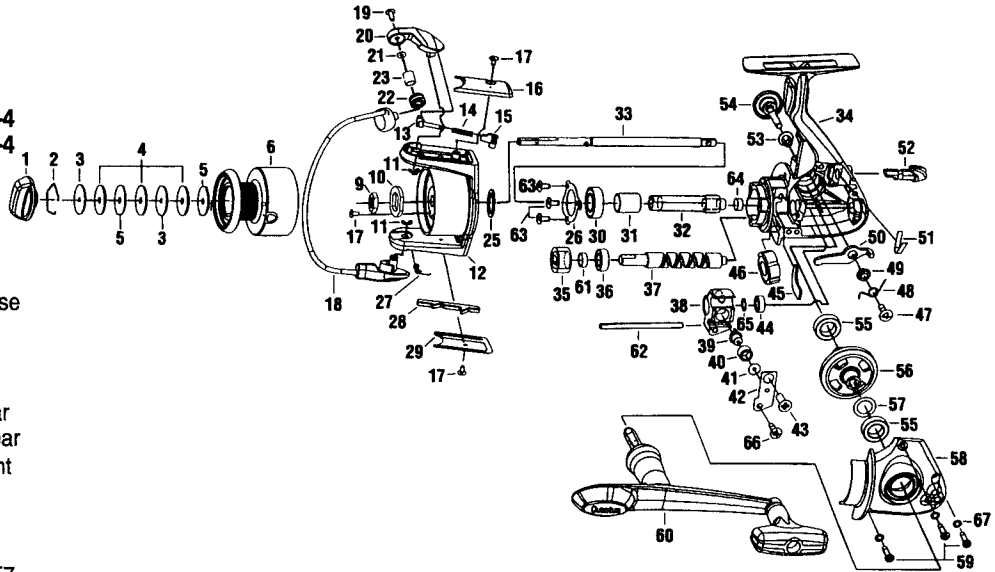
EM4-4 / EM7-4

SPECIFICATIONS:

- Medium Freshwater
- Light Saltwater
- 160 yds/12 lb Line Capacity
- 5.8:1 Ratio
- 13.2 oz. Weight
- 6 Ball, 1 Roller Bearing – EM7-4
- 3 Ball, 1 Roller Bearing – EM4-4

FEATURES:

- One-piece, no-torque aluminum frame
- TRU-Balance rotor/handle
- Selective Continuous Anti-Reverse
- Soft-touch padded reel stem
- MaxCast aluminum Long Stroke spool
- Forged-aluminum alloy drive gear and machined brass pinion gear
- Stainless-steel corrosion-resistant hardware
- Right/left hand retrieve
- Worm gear oscillation
- Spare lt.-line spool included on E7 reel



| Key No. | EM7-4 Part No. | EM4-4 Part No. | Description | Price | Key No. | EM7-4 Part No. | EM4-4 Part No. | Description | Price |
|---------|----------------|----------------|-------------------------|-------|---------|----------------|----------------|---------------------------|-------|
| 1 | GH332-06 | GH332-07 | Drag Knob Assembly | 2.80 | 36 | N/A | TU202-01 | Worm Shaft Bushing | .31 |
| 2 | SU038-01 | SU038-01 | Drag Retainer | .30 | 37 | UU201-01 | UU201-01 | Worm Shaft | 3.00 |
| 3 | RU080-01 | RU080-01 | Drag Washer "D" | 1.10 | 38 | UU204-01 | UU204-01 | Pawl Holder | 1.25 |
| 4 | RU033-01 | RU033-01 | Drag Washer "B" | 2.50 | 39 | TU207-01 | TU207-01 | Pawl | 2.63 |
| 5 | RU081-01 | RU081-01 | Drag Washer "A" | 1.10 | 40 | UQ208-03 | UQ208-03 | Pawl Collar | .31 |
| 6 | TU321-01 | TU321-02 | Spool Assembly | 14.85 | 41 | RU209-01 | RU209-01 | Pawl Washer | .30 |
| 9 | RU006-01 | RU006-01 | Rotor Nut | .90 | 42 | RU205-01 | RU205-01 | Pawl Holder Retainer | 1.15 |
| 10 | TL065-01 | TL065-01 | Rotor "D" Washer | 1.13 | 43 | UQ100-03 | UQ100-03 | Main Shaft Screw | .40 |
| 11 | GH034-01 | GH034-01 | E-Clip | .31 | 44 | GH202-02 | N/A | Worm Shaft Ball Bearing | 7.40 |
| 12 | GH009-07 | GH009-08 | Rotor | 8.55 | 45 | GH203-01 | GH203-01 | Worm Shaft Bushing | .30 |
| 13 | QL031-01 | QL031-01 | Bail Spring Shaft | .77 | 46 | TU206-01 | TU206-01 | Worm Shaft Retainer | 1.13 |
| 14 | KQ049-05 | KQ049-05 | Bail Spring | .31 | 47 | GH074-01 | GH074-01 | Clutch Bearing | 10.71 |
| 15 | QL020-01 | QL020-01 | Bail Spring Holder | .31 | 48 | RU077-01 | RU077-01 | Anti-Reverse Pawl Screw | .25 |
| 16 | GH087-07 | GH087-08 | Arm Lever Spring Cover | 2.60 | 49 | TU061-01 | TU061-01 | Anti-Reverse Pawl Spring | .31 |
| 17 | UQ057-01 | UQ057-01 | Screw | .31 | 49 | TU091-01 | TU091-01 | Anti-Reverse Pawl Post | 1.13 |
| 18 | GH347-07 | GH347-08 | Bail Assembly | 3.70 | 50 | TU063-01 | TU063-01 | Anti-Reverse Pawl | 1.18 |
| 19 | AQ108-01 | AQ108-01 | Line Slider Screw | .30 | 51 | GH089-01 | GH089-01 | Anti-Reverse Lever Spring | 1.18 |
| 20 | GH007-07 | GH007-08 | Arm Lever | 2.25 | 52 | GH090-03 | GH090-03 | Anti-Reverse Lever | 2.50 |
| 21 | GU105-25 | GU105-25 | Line Roller Washer | .31 | 53 | RU105-01 | RU105-01 | Handle Cap Washer | .50 |
| 22 | TU004-03 | N/A | Line Roller w/Bearing | 6.70 | 54 | RU073-01 | RU073-02 | Handle Cap Screw | 1.75 |
| 22 | N/A | GH004-02 | Line Roller | 4.55 | 55 | BL157-01 | BL157-01 | Ball Bearing | 5.41 |
| 23 | N/A | GH016-01 | Line Roller Bushing | 1.13 | 56 | TU012-01 | TU012-01 | Drive Gear | 16.65 |
| 25 | GU105-12 | GU105-12 | Rotor Washer | .31 | 57 | GU105-13 | GU105-13 | Adjust Washer | .64 |
| 26 | TU040-01 | TU040-01 | Bearing Plate | 1.10 | 58 | TU023-03 | TU023-04 | Body Cover | 8.15 |
| 27 | GH049-01 | GH049-01 | Kick Lever Spring | .31 | 59 | RU057-01 | RU057-01 | Body Cover Screw | .50 |
| 28 | TU019-01 | TU019-01 | Kick Lever | 1.96 | 60 | TU318-01 | TU318-02 | Handle Assembly | 12.95 |
| 29 | GH024-07 | GH024-08 | Kick Lever Cover | 2.60 | 61 | GH212-01 | N/A | Worm Shaft Collar | 1.13 |
| 30 | UK028-01 | UK028-01 | Ball Bearing | 5.72 | 62 | TU211-01 | TU211-01 | Stabilizer Bar | 1.55 |
| 31 | TU052-01 | TU052-01 | Bearing Sleeve | 2.68 | 63 | RU041-01 | RU041-01 | Screw | .40 |
| 32 | TU011-01 | TU011-01 | Pinion Gear | 5.00 | 64 | RU141-01 | RU141-01 | Pinion Bushing | 1.55 |
| 33 | UU315-01 | UU315-01 | Main Shaft Assembly | 4.30 | 65 | GU105-31 | GU105-31 | Worm Shaft Washer | .31 |
| 34 | TU301-01 | TU301-02 | Body Assembly | 18.15 | 66 | GH123-01 | GH123-01 | Plate Screw | .90 |
| 35 | GH200-01 | GH200-01 | Level Wind Gear | 2.94 | 67 | RU142-01 | RU142-01 | Body Cover Screw Washer | .90 |
| 36 | GH202-01 | N/A | Worm Shaft Ball Bearing | 7.40 | | | | | |

| | | | | | |
|------------------|------|--------------------------------------|-----------|--------------|-----|
| MODEL INTRODUCED | 1997 | EFFECTIVE DATE OF PARTS LIST/DIAGRAM | Oct. 1996 | DISCONTINUED | N/A |
|------------------|------|--------------------------------------|-----------|--------------|-----|

Prices subject to change without notice. Prices do not include postage and handling.

PLEASE ORDER BY PART NUMBER Zebco Division Brunswick Corporation, Box 270, Tulsa, OK 74101 USA 918-831-6965

