

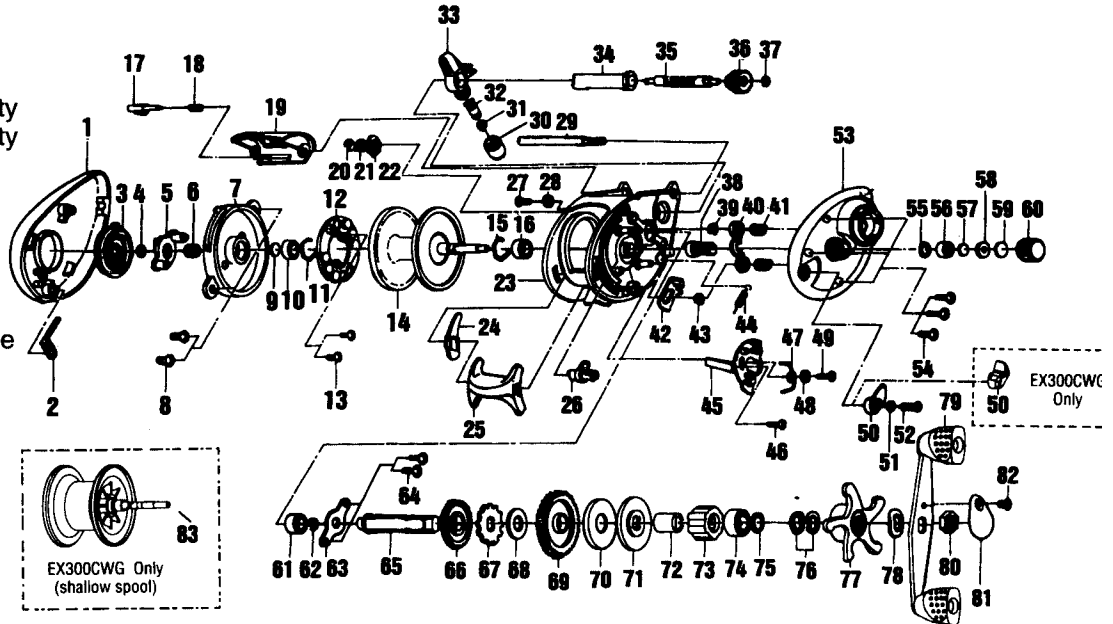
QUANTUM[®] EX300CWG

SPECIFICATIONS:

Walleye Special with spare large-arbor spool
 125 yds./10 lb. Line Capacity
 165 yds./12 lb. Line Capacity
 5.1:1 Ratio
 8.6 oz. Weight
 Bar Clutch
 2 BB, 1 RB

FEATURES:

Quick-release, bayonet-style side plate
 Continuous Anti-Reverse
 Three retrieve speeds
 One-piece graphite frame
 Extra-wide machined brass Magnum Gears
 Adjustable Magnetic Anti-Backlash Control
 Flippin' switch
 Walleye grade reel with special trolling switch
 Color: Medium Grey



Key No.	Part No.	Description	Price	Key No.	Part No.	Description	Price
1	BV023-05	Left Side Cover	8.00	43	QW120-01	E-Clip - Kick Lever	.26
2	ZW108-01	Clicker Spring	1.00	44	ZW097-01	Spring - Kick Lever	.65
3	BV026-02	Magnet Dial	1.00	45	ZW039-01	Release Slider	3.10
4	NX105-01	Dial Friction Ring	.62	46	ZW053-01	Screw - Thumb Bar	1.00
5	BV028-01	Slide Cam	.75	47	BV104-01	Spring - Release Slider	.45
6	NX071-01	Slide Cam Spring	.52	48	SW121-01	Washer - Release Slider Guide	.50
7	ZW051-03B	Spool Cover	2.80	49	BV076-01	Screw - Release Slider	.35
8	ZW125-01	Spool Cover Screw	1.00	50	ZV087-01	Flippin Switch	.70
9	QW032-04	Spool Tension Shim	.52	51	BV126-01	Teeth Washer - Flippin Switch	.35
10	BV017-01	Bushing - Spool Shaft (L)	.95	52	QW123-01	Screw - Flippin Switch	.15
11	QW080-01	Clip Ring	.52	53	BV024-05	Right Side Cover	12.60
12	QW330-01	Magnet Plate Assy	2.88	54	BV123-01	Screw - Side Cover	.70
13	QW076-01	Magnet Plate Screw	.67	55	QW101-01	O-Ring - Tension Knob	.26
14	ZW321-03	Spool Assy	14.85	56	QW117-01	Bushing - Tension Knob	.64
15	QW080-01	Clip Ring	.52	57	QW032-04	Washer - Spool Tension	.52
16	SW017-01	Bearing - Spool Shaft (R)	6.80	58	QW081-01	Collar - Spool Tension	.96
17	ZW119-01	Side Cover Locking Lever	1.00	59	QW082-01	Spool Cushion Washer	.67
18	ZW096-01	Spring - Locking Lever	1.00	60	ZW033-01	Spool Tension Knob	5.00
19	BV027-02	Front Support	3.25	61	ZW017-01	Bushing - Crank Shaft (L)	.65
20	NX092-01	E-Clip - Worm Shaft	.30	62	QW120-01	E-Clip - Crank Shaft	.26
21	QW035-03	Washer - Worm Shaft	.26	63	BV002-01	Retainer - Crank Shaft	.95
22	QW067-01	Bushing - Worm Shaft	.67	64	QW107-01	Screw - Crank Shaft Retainer	.46
23	BV001-01	Frame	18.00	65	ZW008-01	Crank Shaft	5.60
24	ZW056-01	Retainer - Thumb Bar (L)	.50	66	ZW112-01	O/S Drive Gear	1.55
25	BV009-01	Thumb Bar	.70	67	QW083-01	Trip Ratchet	.36
26	BV037-01	Flippin Cam	.95	68	QW111-01	Washer - Trip Ratchet	.26
27	BV076-01	Screw - Cover Stopper Collar	.35	69	ZW012-01	Drive Gear	10.90
28	BV088-01	Collar - Side Cover Stopper	.85	70	QW059-01	Drag Disc	1.70
29	ZW061-01	Stabilizer Bar	2.80	71	QW045-01	Drag "D" Washer	.82
30	ZW007-01	Screw - Line Guide Carrier	2.85	72	CW052-02	Sleeve - One Way Clutch	2.88
31	BV035-01	Washer - Carrier	.40	73	UQ063-02	One Way Bearing	9.27
32	ZW006-01	Line Guide Pawl	2.80	74	TW058-01	Ball Bearing - Crank Shaft	7.21
33	ZW347-01	Line Guide Carrier Assy	5.70	75	TW035-02	Washer - Crank Shaft	.46
34	ZW016-01	Worm Shaft Guide	2.00	76	QW046-02	Spring "D" Washer	.98
35	ZW072-01	Worm Shaft	7.20	77	ZW055-01	Star Drag	2.80
36	ZW085-01	O/S Pinion Gear	1.75	78	QW054-01	Handle Washer	.72
37	NX090-01	E-Clip - O/S Pinion Gear	.41	79	TW318-05	Handle Assy	6.25
38	ZW311-01	Pinion Gear Assy	10.10	80	QW003-01	Handle Nut	.36
39	QW120-01	E-Clip - Pinion Yoke Shaft	.26	81	JX034-01	Handle Nut Cap	.42
40	ZW025-01	Pinion Yoke	1.00	82	QW123-01	Screw - Handle Nut Cap	.15
41	QW040-01	Yoke Spring	.67	83	BV321-01	Shallow Spool Assy (Spare)	11.95
42	ZW077-01	Kick Lever	1.55				

MODEL INTRODUCED	1996	EFFECTIVE DATE OF PARTS LIST/DIAGRAM	Oct. 1996	DISCONTINUED	N/A
-------------------------	------	---------------------------------------------	-----------	---------------------	-----

Prices subject to change without notice. Prices do not include postage and handling.

PLEASE ORDER BY PART NUMBER. Quantum Fishing Reels Corporation, Box 970, Tulsa, OK 74101, USA 918.931.6965

