

QUANTUM

EX501CX and EX301CP

SPECIFICATIONS:

Medium Freshwater/Light Saltwater
 165 yds./12 lb. Line Capacity
 8.6 oz. Weight
 Bar Clutch

EX301CP

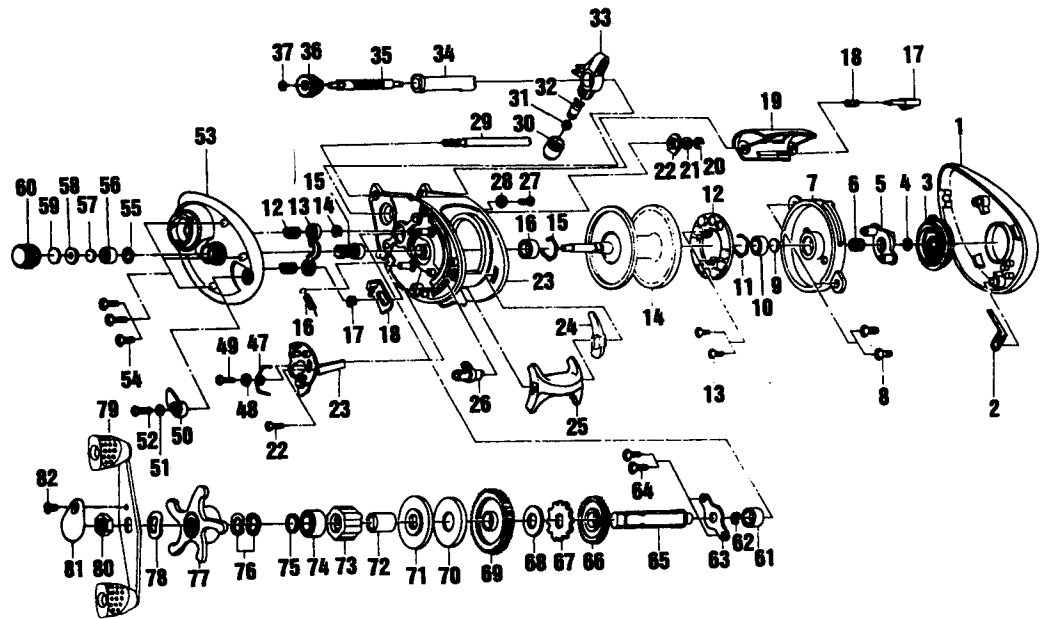
High Power Cranking
 4.4:1 Ratio - 2 BB, 1 RB

EX501CX

Express High Speed
 6.2:1 Ratio - 4 BB, 1 RB

FEATURES:

Quick-release, bayonet-style side plate
 Continuous Anti-Reverse
 Three retrieve speeds
 One-piece graphite frame
 Extra-wide machined brass Magnum Gears
 Adjustable Magnetic Anti-Backlash Control
 Flippin' switch
 Color: **EX501CX** - Medium Grey **EX301CP** - Hunter Green



Key No.	EX501CX Part No.	EX301CP Part No.	Description	Price	Key No.	EX501CX Part No.	EX301CP Part No.	Description	Price
1	CV024-02	CV024-03	Right Side Cover	8.70	42	CV077-01	CV077-01	Kick Lever	.90
2	CV108-01	CV108-01	Clicker Spring	.95	43	QW120-01	QW120-01	E-Clip - Kick Lever	.26
3	CV026-01	CV026-02	Magnet Dial	1.00	44	ZW097-01	ZW097-01	Springer - Kick Lever	.65
4	NX105-01	NX105-01	Dial Friction Ring	.62	45	CV039-01	CV039-01	Release Slider	.65
5	BV028-01	BV028-01	Slide Cam	.75	56	ZW053-01	ZW053-01	Screw - Thumb bar	1.00
6	NX071-01	NX071-01	Slide Cam Spring	.52	47	CV104-01	CV104-01	Spring - Release Slider	.45
7	CV051-01	CV051-01	Spool Cover	1.75	48	SW121-01	SW121-01	Washer - Release Slider Guide	.50
8	ZW125-01	ZW125-01	Spool Cover Screw	.50	49	BV076-01	BV076-01	Screw - Release Slider	.35
9	QW032-04	QW032-04	Spool Tension Shim	.52	50	CV087-01	CV087-01	Flippin Switch	.65
10	UW017-01	N/A	Ball Bearing - Spool Shaft (R)	6.80	51	BV126-01	BV126-01	Teeth Washer - Flippin Switch	.35
10	N/A	BV017-01	Bushing - Spool Shaft (R)	.95	52	QW123-01	QW123-01	Screw - Flippin Switch	.15
11	QW080-01	QW080-01	Clip Ring	.52	53	CV023-02	CV023-03	Left Side Cover	8.25
12	QW330-01	QW330-01	Magnet Plate Assy	2.88	54	BV123-01	BV123-01	Screw - Side Cover	.70
13	QW076-01	QW076-01	Magnet Plate Screw	.67	55	QW101-01	QW101-01	O-Ring - Tension Knob	.26
14	ZW321-04	ZW321-04	Spool Assy	14.85	56	QW117-01	QW117-01	Bushing - Tension Knob	.64
15	QW080-01	QW080-01	Clip Ring	.52	57	QW032-04	QW032-04	Washer - Spool Tension	.54
16	SW017-01	SW017-01	Bearing - Spool Shaft (L)	6.80	58	QW081-01	QW081-01	Collar - Spool Tension	.96
17	ZW119-02	ZW119-02	Side Cover Locking Lever	1.00	59	QW082-01	QW082-01	Spool Cushion Washer	.67
18	ZW096-01	ZW096-01	Spring - Locking Lever	1.00	60	ZW033-01	ZW033-01	Spool Tension Knob	5.00
19	CV027-01	CV027-01	Front Support	3.25	61	SW017-01	N/A	Bearing - Crank Shaft (L)	6.80
20	NX092-01	NX092-01	E-Clip - Worm Shaft	.30	61	N/A	ZW017-01	Bushing - Crank Shaft (L)	.65
21	QW035-03	QW035-03	Washer - Worm Shaft	.26	62	QW120-01	QW120-01	E-Clip - Crank Shaft	.26
22	QW067-01	QW067-01	Bushing - Worm Shaft	.67	63	BV002-01	BV002-01	Retainer - Crank Shaft	.95
23	CV001-01	CV001-01	Frame	5.95	64	QW107-01	QW107-01	Screw - Crank Shaft Retainer	.46
24	CV056-01	CV056-01	Retainer - Thumb Bar (R)	.25	65	ZW008-02	ZW008-02	Crank Shaft	5.40
25	CV009-01	CV009-01	Thumb Bar	.70	66	ZW112-01	ZW112-01	O/S Drive Gear	1.55
26	CV037-01	CV037-01	Flipping Cam	.95	67	QW083-01	QW083-01	Trip Ratchet	.36
27	BV076-01	BV076-01	Screw - Cover Stopper Collar	.35	68	QW111-01	QW111-01	Washer - Trip Ratchet	.26
28	BV088-01	BV088-01	Collar - Side Cover Stopper	.85	69	VW012-02	RW012-02	Drive Gear	10.50
29	ZW061-01	ZW061-01	Stabilizer Bar	2.80	70	QW059-01	QW059-01	Drag Disc	1.70
30	ZW007-01	ZW007-01	Screw - Line Guide Carrier	2.85	71	QW045-01	QW045-01	Drag "D" Washer	.82
31	BV035-01	BV035-01	Washer - Carrier	.40	72	CW052-02	CW052-02	Sleeve - One Way Clutch	2.88
32	ZW006-01	ZW006-01	Line Guide Pawl	2.80	73	UQ063-02	UQ063-02	One Way Bearing	9.27
33	ZW347-01	ZW347-01	Line Guide Carrier Assy	5.70	74	TW058-01	TW058-01	Ball Bearing - Crank Shaft	7.21
34	ZW016-01	ZW016-01	Worm Shaft Guide	2.00	75	TW035-02	TW035-02	Washer - Crank Shaft	.50
35	ZW072-01	ZW072-01	Worm Shaft	7.20	76	QW046-02	QW046-02	Spring "D" Washer	.98
36	ZW085-01	ZW085-01	O/S Pinion Gear	1.75	77	ZW055-02	ZW055-02	Star Drag	2.75
37	NX090-01	NX090-01	E-Clip - O/S Pinion Gear	.41	78	QW054-01	QW054-01	Handle Washer	.72
38	VW311-02	N/A	Pinion Gear Assy	10.25	79	TW318-05	TW318-05	Handle Assy	6.25
38	N/A	RW311-02	Pinion Gear Assy	10.10	80	QW003-02	QW003-02	Handle Nut	.36
39	QW120-01	QW120-01	E-Clip - Pinion Yoke Shaft	.26	81	JX034-01	JX034-01	Handle Nut Cap	.42
40	CV025-01	CV025-01	Pinion Yoke	2.15	82	QW123-01	QW123-01	Screw - Handle Nut Cap	.15
41	QW040-01	QW040-01	Yoke Spring	.67					

MODEL INTRODUCED	1997	EFFECTIVE DATE OF PARTS LIST/DIAGRAM	Oct. 1996	DISCONTINUED	N/A
-------------------------	------	---	-----------	---------------------	-----

Prices subject to change without notice. Prices do not include postage and handling.

ORDER BY PART NUMBER

