



EX500CX / EX300CP / BT300CX

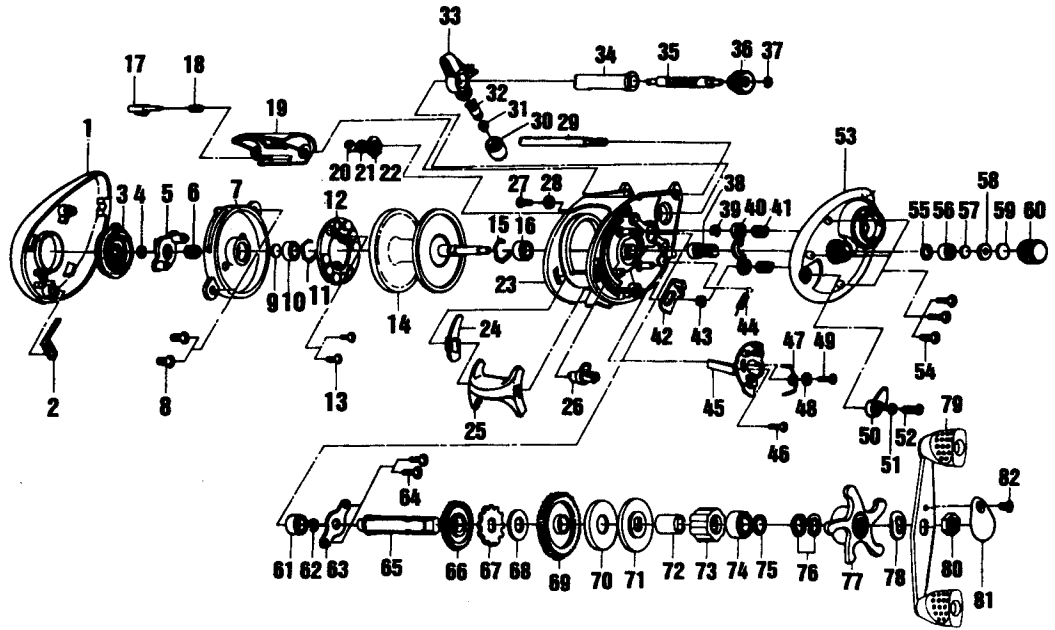
SPECIFICATIONS:

Med. FW
 65 yds / 12 lb Line
 Gear Ratio :
 EX500CX, BT300CX - 6.2:1
 EX200C - 5.1:1
 Line Retrieve (inches per turn) :
 EX500CX, BT300CX - 25"
 EX200C - 20.6"
 Weight - 8.6 oz.
 Bearings :
 EX500CX - 4 BB; 1 RB
 EX300CP, BT300CX - 2 BB; 1 RB

FEATURES:

Thumb Bar Spool Release
 Magnetic Cast Control
 Continuous Anti-Reverse
 Bayonet Sidecover Release
 Graphite Frame
 Color:

EX500CX - Medium Grey
 EX300CP - Hunter Green
 BT300CX - Grey



Key					Key						
No.	Description	EX500CX	EX300CP	BT300CX	Price	No.	Description	EX500CX	EX300CP	BT300CX	Price
1	Left Side Cover	BV023-02	BV023-03	BV023-09	8.24	42	Kick Lever	ZW077-01	↔	↔	1.60
2	Clicker Spring	ZW108-01	↔	↔	1.03	43	E-Clip - Kick Lever	QW120-01	↔	↔	0.27
3	Magnet Dail	BV026-01	BV026-02	↔	1.03	44	Spring - Kick lever	ZW097-01	↔	↔	0.67
4	Dial Friction Ring	NX105-01	↔	↔	0.77	45	Release Slider	ZW039-01	↔	↔	3.19
5	Slide Cam	BV028-01	↔	↔	0.54	46	Screw - Thumb bar	ZW053-01	↔	↔	1.03
6	Slide Cam Spring	NX071-03	↔	↔	2.88	47	Spring - Release Slider	BV104-01	↔	↔	0.46
7	Spool Cover	ZW051-01	↔	↔	1.03	48	Washer - Release Slider G	SW121-01	↔	↔	0.52
8	Spool Cover Screw	ZW125-01	↔	↔	0.54	49	Screw - Release Slider	BV076-01	↔	↔	0.36
9	Spool Tension Shim	QW032-04	↔	↔	0.54	50	Flippin Switch	BV087-01	↔	↔	0.67
10	Ball Bearing - Spool Shaft(L)	UW017-01	N/A	N/A	7.00	51	Teeth Washer - Flippin Swi	BV126-01	↔	↔	0.36
11	Bushing - Spool Shaft(L)	N/A	BV017-01	↔	0.98	52	Screw - Flippin Switch	QW123-01	↔	↔	0.15
12	Clip Ring	QW080-01	↔	↔	0.54	53	Right Side Cover	BV024-02	BV024-03	BV024-07	12.98
13	Magnet Plate Assy	QW330-01	↔	↔	2.97	54	Screw - Side Cover	BV123-01	↔	↔	0.72
14	Magnet Plate Screw	QW076-01	↔	↔	0.69	55	O-Ring - Tension Knob	QW101-01	↔	↔	0.27
15	Spool Assy	ZW321-03	↔	↔	15.30	56	Bushing - Tension Knob	QW117-01	↔	↔	0.21
16	Clip Ring	QW080-01	↔	↔	0.54	57	Washer - Spool Tension	QW032-04	↔	↔	0.54
17	Bearing - Spool Shaft (R)	SW017-01	↔	↔	7.00	58	Collar - Spool Tension	QW081-01	↔	↔	0.99
18	Side cover Locking Lever	ZW119-01	↔	↔	1.03	59	Spool Cushion Washer	QW082-01	↔	MV082-01	0.69
19	Spring - Locking Lever	ZW096-01	↔	↔	1.03	60	Spool Tension Knob	ZW033-01	↔	MV033-01	5.15
20	Front Support	BV027-01	↔	BV027-04	3.35	61	Bearing - Crank Shaft(L)	SW017-01	N/A	N/A	7.00
21	E-Clip - Worm Shaft	NX092-01	↔	↔	0.31	62	Bushing - Crank Shaft(L)	N/A	ZW017-01	↔	0.67
22	Washer - Worm Shaft	QW035-03	↔	↔	0.27	63	E-Clip - Crank Shaft	QW120-01	↔	↔	0.27
23	Bushing - Worm Shaft	QW067-01	↔	↔	0.69	64	Retainer - Crank Shaft	BV002-01	↔	↔	0.98
24	Frame	BV001-01	↔	BV001-03	18.54	65	Screw - Crank Shaft Retain	QW107-01	↔	↔	0.47
25	Retainer-Thumb bar(L)	ZW056-01	↔	↔	0.52	66	Crank Shaft	ZW008-01	↔	↔	5.77
26	Thumb Bar	BV009-01	↔	↔	0.72	67	O/S Drive Gear	ZW112-01	↔	↔	1.60
27	Flipping Cam	BV037-01	↔	↔	0.98	68	Trip Ratchet	QW083-01	↔	↔	0.37
28	Screw - Cover Stopper Collar	BV076-01	↔	↔	0.36	69	Washer - Trip Ratchet	QW111-01	↔	↔	0.27
29	Collar - Side Cover Stopper	BV088-01	↔	↔	0.88	70	Drive Gear	VW012-01	RW012-01	VW012-01	11.28
30	Stablizer Bar	ZW061-01	↔	↔	2.88	71	Drag Disc	QW059-01	↔	↔	1.75
31	Screw - Line Guide Carrier	ZW007-01	↔	↔	2.94	72	Drag "D" Washer	QW045-01	↔	↔	0.84
32	Washer - Carrier	BV035-01	↔	↔	0.41	73	Sleeve - One Way Clutch	CW052-02	↔	↔	2.97
33	Line Guide Pawl	ZW006-01	↔	↔	2.88	74	One Way Bearing	UQ063-02	↔	ZW063-01	9.55
34	Line Guide Carrier Assy	ZW347-01	↔	↔	5.87	75	Ball Bearing - Crank Shaft	TW058-01	↔	↔	7.43
35	Worm Shaft Guide	ZW016-01	↔	↔	2.06	76	Washer - Crank Shaft	TW035-02	↔	↔	0.47
36	Worm Shaft	ZW072-01	↔	↔	7.42	77	Spring "D" Washer	QW046-02	↔	↔	1.01
37	O/S Pinion Gear	ZW085-01	↔	↔	1.80	78	Star Drag	ZW055-01	↔	↔	2.88
38	E-Clip - O/S Pinion Ger	NX090-01	↔	↔	0.42	79	Handle Washer	QW054-01	↔	↔	0.74
39	Pinion Gear Assy	VW311-01	RW311-01	VW311-01	10.56	80	Handle Assy	TW318-05	↔	↔	6.44
40	E-Clip - Pinion Yoke Shaft	QW120-01	↔	↔	0.27	81	Handle Nut	QW003-01	↔	↔	0.37
41	Pinion Yoke	ZW025-01	↔	↔	1.03	82	Handle Nut Cap	JX034-01	↔	↔	0.43
42	Yoke Spring	QW040-01	↔	↔	0.69		Screw - Handle Nut Cap	QW123-01	↔	↔	0.15

MODEL	EFFECTIVE DATE OF	DISCONTINUED:
INTRODUCED: 1996	PARTS LIST/DIAGRAM: Oct. '98	N / A

Prices subject to change without notice. Prices do not include postage and handling.

PLEASE ORDER BY PART NUMBER

Zebco, P.O. Box 270, Tulsa, Ok 74101, 918-831-6965 Phone or 800-FIXREEL (349-7335) FAX

