

# QUANTUM.

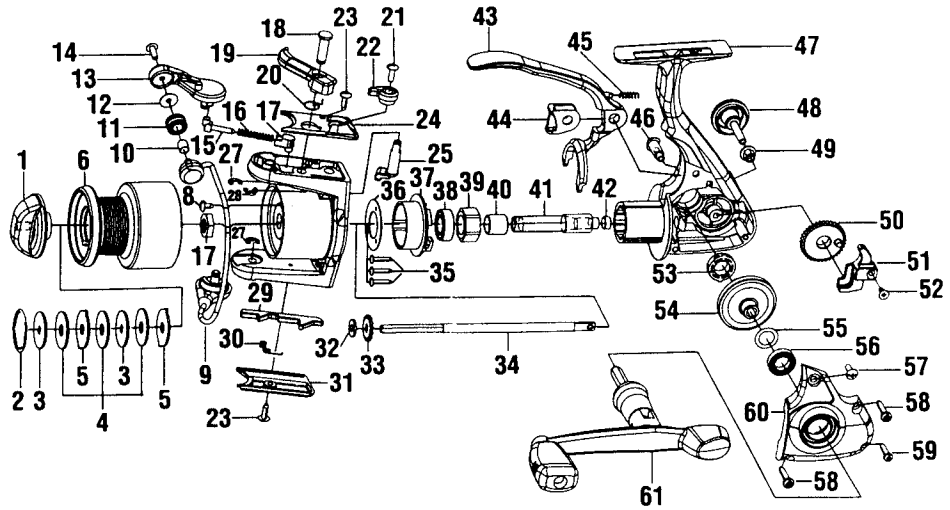
## HC2XL / HC3XL

### SPECIFICATIONS :

Application: Med. Lt. FW  
 5.2:1 Gear Ratio  
 Line Capacity:  
 HC2XL - 200 yds / 6 lb  
 HC3XL - 200 yds / 8 lb  
 Retrieve Rate (Inches Per Turn):  
 HC2XL - 24.5"  
 HC3XL - 26.5"  
 Weight:  
 HC2XL - 12.8 oz.  
 HC3XL - 13.3 oz.  
 2 Ball Bearing; 1 Roller Bearing

### FEATURES :

Stem Mounted Trigger Casting System  
 W/ Pivoting Firing Pin  
 Front Drag  
 Tru-Balanced Rotor  
 Balanced Handle  
 Oversized Twist Reducer Line Roller  
 Selective On/Off A/R  
 Geared (S-Curve) O/S System  
 Aluminum Spool  
 Color: Light Gold



| Key No. | Part No. | DESCRIPTION           | Price | Key No. | Part No. | DESCRIPTION            | Price |
|---------|----------|-----------------------|-------|---------|----------|------------------------|-------|
| 1       | NH332-02 | DRAG KNOB ASSEMBLY    |       | 32      | GU105-06 | CLICK GEAR WASHER      | 0.37  |
| 2       | GU038-01 | DRAG RETAINER         | 0.27  | 33      | GU037-01 | CLICK GEAR             | 0.54  |
| 3       | GU080-01 | DRAG WASHER "D"       | 0.54  | 34      | NH015-01 | MAIN SHAFT             |       |
| 4       | NH033-01 | DRAG WASHER "B"       |       | 35      | NH041-01 | BEARING PLATE SCREW    |       |
| 5       | GU081-01 | DRAG WASHER "A"       | 0.54  | 36      | NH040-01 | BEARING PLATE          |       |
| 6       | NH321-01 | SPOOL ASSEMBLY        |       | 37      | NH121-01 | BAIL OPENING RING      |       |
| 7       | RU006-01 | ROTOR NUT             | 0.93  | 38      | AQ028-06 | BALL BEARING           | 6.47  |
| 8       | GU077-08 | ROTOR NUT LOCK SCREW  | 0.15  | 39      | ZW063-01 | CLUTCH BEARING         | 9.50  |
| 9       | NH347-02 | BAIL ASSEMBLY         |       | 40      | NH139-01 | BEARING SLEEVE         |       |
| 10      | MT016-01 | LINE ROLLER BUSHING   | 0.77  | 41      | NH011-01 | PINION GEAR            |       |
| 11      | NH004-01 | LINE ROLLER           |       | 42      | RU141-01 | PINION BUSHING         | 1.60  |
| 12      | NH102-01 | LINE ROLLER WASHER    |       | 43      | NH116-01 | BAIL TRIP LEVER        |       |
| 13      | NH007-02 | ARM LEVER             |       | 44      | NH114-01 | KICK BOSS              |       |
| 14      | AQ108-01 | LINE SLIDER SCREW     | 0.31  | 45      | UQ117-01 | BAIL TRIP LEVER SPRING |       |
| 15      | KQ031-J1 | BAIL SPRING SHAFT     | 0.27  | 46      | NH115-01 | BAIL TRIP LEVER SHAFT  |       |
| 16      | NH022-01 | BAIL SPRING           |       | 47      | NH301-02 | BODY ASSEMBLY          |       |
| 17      | QL020-01 | BAIL SPRING HOLDER    | 0.32  | 48      | NH373-01 | HANDLE CAP SCREW ASS'Y |       |
| 18      | NH113-01 | LINK ARM LEVER PIN    |       | 49      | RU105-01 | HANDLE CAP WASHER      | 0.50  |
| 19      | NH397-02 | LINK ARM LEVER ASSY   |       | 50      | NH053-01 | O/S GEAR               |       |
| 20      | NH096-01 | LINK ARM LEVER SPRING |       | 51      | NH025-01 | O/S SLIDER             |       |
| 21      | AQ108-01 | SCREW                 | 0.31  | 52      | NH100-01 | MAIN SHAFT SCREW       |       |
| 22      | NH154-02 | LINK CAM              |       | 53      | JU027-01 | BODY BUSHING           | 1.65  |
| 23      | GU077-03 | COVER SCREW           | 0.15  | 54      | NH012-01 | DRIVE GEAR             |       |
| 24      | NH087-02 | BAIL SPRING COVER     |       | 55      | GU105-13 | GEAR ADJUST WASHER     | 0.66  |
| 25      | NH151-01 | LINK SHAFT ARM        |       | 56      | AQ028-02 | BALL BEARING           | 1.65  |
| 26      | NH009-01 | ROTOR                 |       | 57      | AQ108-01 | BODY COVER SCREW       | 0.31  |
| 27      | GH034-01 | E-CLIP                | 0.32  | 58      | JU057-03 | BODY COVER SCREW       | 0.79  |
| 28      | KQ034-01 | E-CLIP                | 0.15  | 59      | GU057-02 | BODY COVER SCREW       | 0.81  |
| 29      | NH019-01 | KICK LEVER            |       | 60      | NH023-02 | BODY COVER             |       |
| 30      | GH049-02 | KICK LEVER SPRING     |       | 61      | NH318-01 | HANDLE ASSEMBLY        |       |
| 31      | NH024-02 | KICK LEVER COVER      |       |         |          |                        |       |

|                          |                                     |                       |
|--------------------------|-------------------------------------|-----------------------|
| <b>MODEL</b>             | <b>EFFECTIVE DATE OF</b>            | <b>DISCONTINUED :</b> |
| <b>INTRODUCED :</b> 1998 | <b>PARTS LIST/DIAGRAM:</b> Oct. '98 | <b>N / A</b>          |

Prices subject to change without notice. Prices do not include postage and handling.

PLEASE ORDER BY PART NUMBER

Zebco, P.O. Box 270, Tulsa, Ok. 74101; 918-831-6965 Phone or 800-FIXREEL (349-7335) FAX

