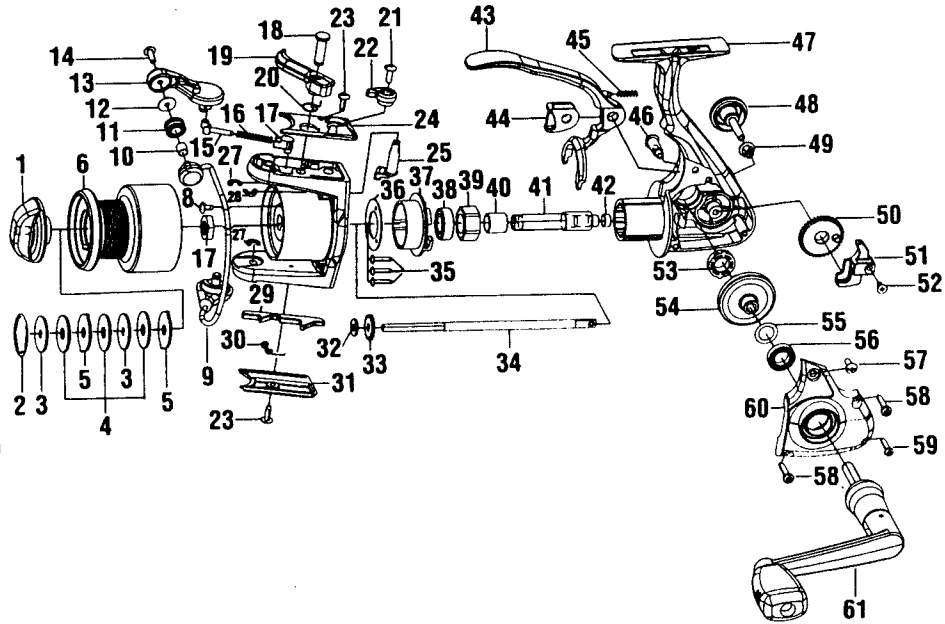


QUANTUM.

HC2DL / HC3DL

SPECIFICATIONS :

Application: Med. Lt. FW
 5.2:1 Gear Ratio
 Line Capacity:
 HC2DL - 200 yds / 6 lb
 HC3DL - 200 yds / 8 lb
 Retrieve Rate (Inches Per Turn):
 HC2DL - 24.5"
 HC3DL - 26.5"
 Weight:
 HC2DL - 12.8 oz.
 HC3DL - 13.3 oz.
 1 Ball Bearing; 1 Roller Bearing



FEATURES :

Stern Mounted Trigger Casting System
 w/ Pivoting Firing Pin
 Front Drag
 Tru-Balanced Rotor
 Standard Handle
 Oversized Twist Reducer Line Roller
 Selective On/Off A/R
 Geared (S-Curve) O/S System
 Aluminum Spool
 Color: Dark Gray

Key No.	Part No.	DESCRIPTION	Price	Key No.	Part No.	DESCRIPTION	Price
1	NH332-01	DRAG KNOB ASSEMBLY		32	GU105-06	CLICK GEAR WASHER	0.37
2	GU038-01	DRAG RETAINER	0.27	33	GU037-01	CLICK GEAR	0.54
3	GU080-01	DRAG WASHER "D"	0.54	34	NH015-01	MAIN SHAFT	
4	NH033-01	DRAG WASHER "B"		35	NH041-01	BEARING PLATE SCREW	
5	GU081-01	DRAG WASHER "A"	0.54	36	NH040-01	BEARING PLATE	
6	NH321-01	SPOOL ASSEMBLY		37	NH121-01	BAIL OPENNING RING	
7	RU006-01	ROTOR NUT	0.93	38	AQ028-06	BALL BEARING	6.47
8	GU077-08	ROTOR NUT LOCK SCREW	0.15	39	ZW063-01	CLUTCH BEARING	9.50
9	NH347-01	BAIL ASSEMBLY		40	NH139-01	BEARING SLEEVE	
10	MT016-01	LINE ROLLER BUSHING	0.77	41	NH011-01	PINION GEAR	
11	NH004-01	LINE ROLLER		42	RU141-01	PINION BUSHING	1.60
12	NH102-01	LINE ROLLER WASHER		43	NH116-01	BAIL TRIP LEVER	
13	NH007-01	ARM LEVER		44	NH114-01	KICK BOSS	
14	AQ108-01	LINE SLIDER SCREW	0.31	45	UQ117-01	BAIL TRIP LEVER SPRING	
15	KQ031-01	BAIL SPRING SHAFT	0.27	46	NH115-01	BAIL TRIP LEVER SHAFT	
16	NH022-01	BAIL SPRING		47	NH301-01	BODY ASSEMBLY	
17	QL020-01	BAIL SPRING HOLDER	0.32	48	NH373-01	HANDLE CAP SCREW ASS'Y	
18	NH113-01	LINK ARM LEVER PIN		49	RU105-01	HANDLE CAP WASHER	0.50
19	NH397-01	LINK ARM LEVER ASSY		50	NH053-01	O/S GEAR	
20	NH096-01	LINK ARM LEVER SPRING		51	NH025-01	O/S SLIDER	
21	AQ108-01	SCREW	0.31	52	NH100-01	MAIN SHAFT SCREW	
22	NH154-01	LINK CAM		53	JU027-01	BODY BUSHING	1.65
23	GU077-03	COVER SCREW	0.15	54	NH012-01	DRIVE GEAR	
24	NH087-01	BAIL SPRING COVER		55	GU105-13	GEAR ADJUST WASHER	0.66
25	NH151-01	LINK SHAFT ARM		56	JU027-01	BODY COVER BUSHING	1.65
26	NH009-01	ROTOR		57	AQ108-01	BODY COVER SCREW	0.31
27	GH034-01	E-CLIP	0.32	58	JU057-03	BODY COVER SCREW	0.79
28	KQ034-01	E-CLIP	0.15	59	GU057-02	BODY COVER SCREW	0.81
29	NH019-01	KICK LEVER		60	NH023-01	BODY COVER	
30	GH049-02	KICK LEVER SPRING		61	PH318-01	HANDLE ASSEMBLY	
31	NH024-01	KICK LEVER COVER					

MODEL	EFFECTIVE DATE OF	DISCONTINUED :
INTRODUCED : 1998	PARTS LIST/DIAGRAM: Oct. '98	N / A

Prices subject to change without notice. Prices do not include postage and handling.
 PLEASE ORDER BY PART NUMBER Zebco, P.O. Box 270, Tulsa, Ok. 74101; 918-831-6965 Phone or 800-FIXREEL (349-7335) FAX

