

QUANTUM.

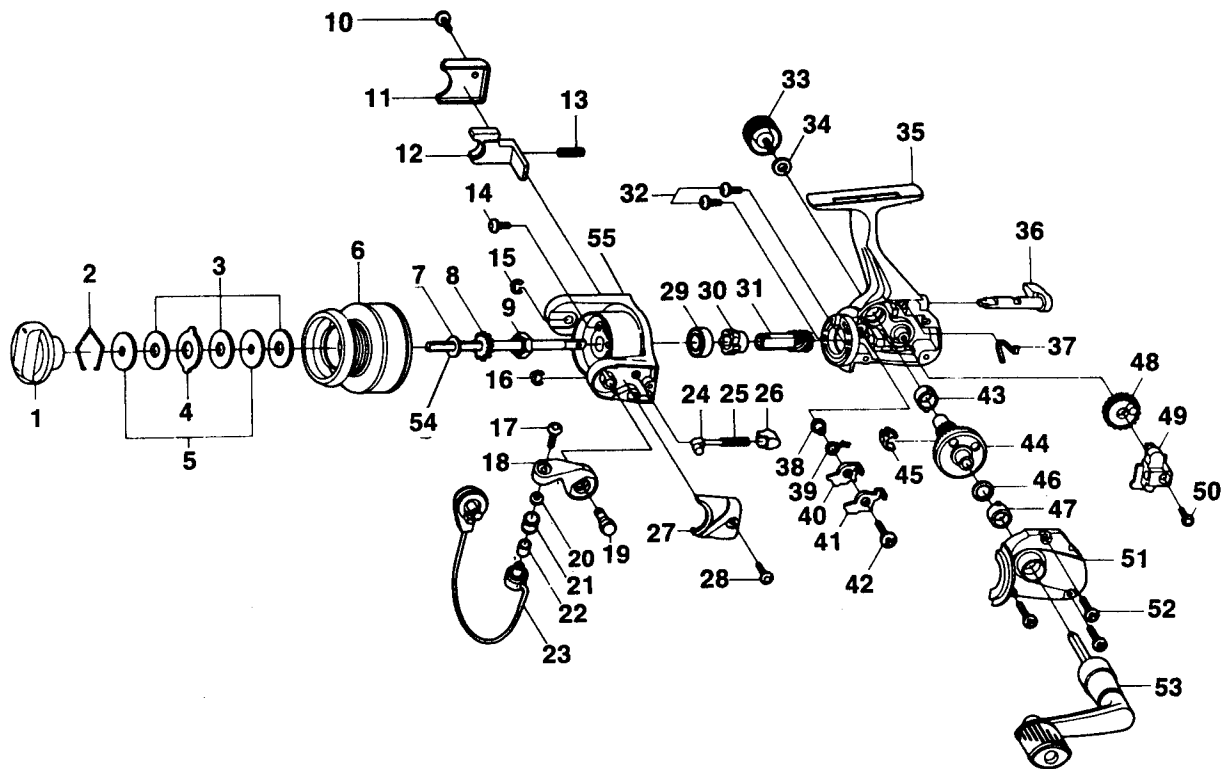
HS1 (SIR HILLARY - SEARS)

1 Ball Bearing

Gear Ratio - 4.4:1

Weight - 6.8 oz.

Line Capacity - 125 yds / 4 lb



KEY NO.	PART NO.	DESCRIPTION	KEY NO.	PART NO.	DESCRIPTION
1	GU332-01	DRAG KNOB ASSEMBLY	29	AQ028-01	BALL BEARING
2	GU038-01	DRAG RETAINER	30	GU060-01	RATCHET GEAR
3	GU105-05	DRAG WASHER "B"	31	GU011-01	PINION GEAR
4	GU081-01	DRAG WASHER "A"	32	GU077-01	BEARING SCREW
5	GU080-01	DRAG WASHER "D"	33	GU073-01	HANDLE SCREW CAP
6	XU321-13	SPOOL ASSEMBLY	34	GU105-01	HANDLE CAP WASHER
7	GU105-06	SPOOL ADJUSTMENT WASHER	35	GU001-28	BODY
8	GU037-01	CLICK GEAR	36	GU090-01	ANTI REVERSE STOPPER LEVER
9	GU006-01	ROTOR NUT	37	GU089-01	ANTI REVERSE LEVER SPRING
10	GU077-02	KICK LEVER COVER SCREW	38	GU091-01	ANTI REVERSE PAWL POST
11	GU046-01	KICK LEVER COVER	39	GU061-01	ANTI REVERSE PAWL SPRING
12	GU019-01	KICK LEVER	40	GU063-01	ANTI-REVERSE PAWL "A"
13	KQ049-01	KICK LEVER SPRING	41	GU074-01	ANTI-REVERSE PAWL "B"
14	GU077-04	ROTOR NUT LOCK SCREW	42	GU077-05	ANTI-REVERSE PAWL SCREW
15	KQ034-01	E-CLIP	43	GU027-01	GEAR SHAFT BUSHING
16	KQ034-01	E-CLIP	44	GU012-01	DRIVE GEAR
17	KQ108-01	LINE SLIDER SCREW	45	GU086-01	SILENT CAM
18	LU007-01	ARM LEVER	46	GU105-08	DRIVE GEAR ADJ. WASHER
19	GU051-02	ARM LEVER PIN	47	GU027-01	BODY COVER BUSHING
20	GU105-07	LINE ROLLER WASHER	48	GU053-01	OSCILLATOR GEAR
21	MT004-01	LINE ROLLER	49	GU025-01	OSCILLATOR SLIDER
22	MT016-02	LINE ROLLER BUSHING	50	GU100-01	MAIN SHAFT SCREW
23	GU347-02	BAIL ASSEMBLY	51	GU023-28	BODY COVER
24	KQ031-01	ARM LEVER SPRING PIN	52	GU057-01	BODY COVER SCREW
25	KQ049-03	ARM LEVER SPRING	53	GU318-42	HANDLE ASSEMBLY
26	QL020-01	ARM LEVER SPRING HOLDER	54	GU015-01	MAIN SHAFT
27	LU087-01	ARM LEVER SPRING COVER	55	GU009-08	ROTOR
28	GU077-02	ARM LEVER COVER SCREW			

Prices subject to change without notice. Prices do not include postage and handling.

PLEASE ORDER BY PART NUMBER

Rev 2/96

Zebco Division of Brunswick Corporation, Box 270, Tulsa, OK. 74101 USA 918-831-6989

