

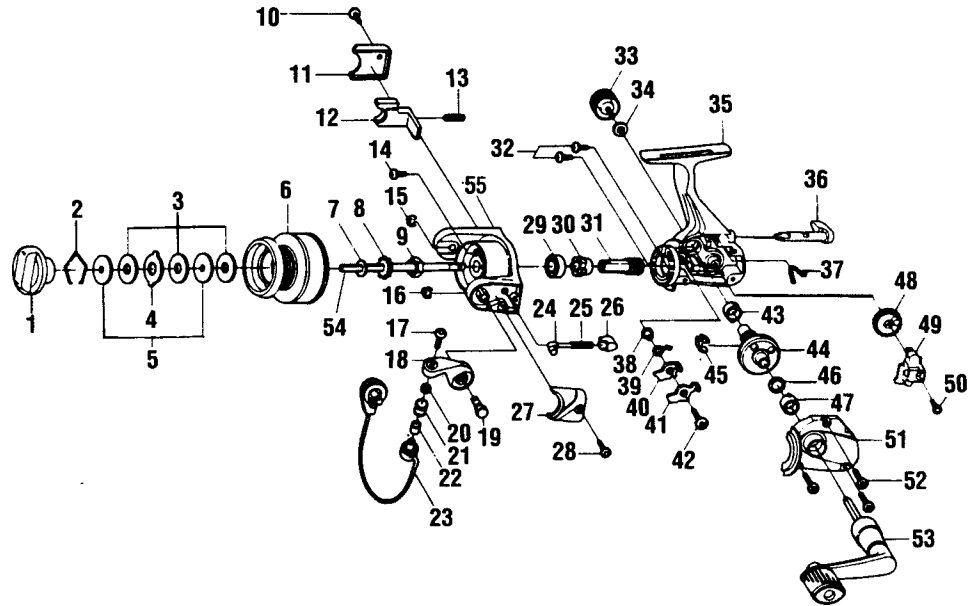
QUANTUM HEAT HT1

SPECIFICATIONS:

Ultra Light
 125 yds./4 lb. Line Capacity
 Front Drag
 4.4:1 Gear Ratio
 7.6 oz. Weight
 1 Ball Bearing

FEATURES:

Aluminum LongStroke Spool
 Three-Way/Selective
 Anti-Reverse (off/on/self-centering)
 Lightweight Graphite Body
 Coil-Type Bail Spring for
 Ultimate Reliability
 Color: Light Gold



Key No.	Part No.	Description	Price	Key No.	Part No.	Description	Price
1	GU332-10	Drag Knob Assembly	2.88	29	AQ028-01	Ball Bearing	6.75
2	GU038-01	Drag Retainer	.26	30	GU060-01	Ratchet Gear	2.06
3	GU105-05	Drag Washer "B"	.67	31	GU011-01	Pinion Gear	1.65
4	GU081-01	Drag Washer "A"	.52	32	GU077-01	Bearing Screw	.15
5	GU080-0	Drag Washer "D"	.52	33	GU073-09	Handle Screw Cap	.62
6	XU321-16	Spool Assembly	5.15	34	GU105-01	Handle Cap Washer	.10
7	GU105-06	Spool Adjustment Washer	.36	35	GU001-35	Body	3.00
8	GU037-01	Click Gear	.52	36	GU090-05	Anti-Reverse Stopper Lever	1.49
9	GU006-01	Rotor Nut	.31	37	GU089-01	Anti-Reverse Lever Spring	.52
10	GU077-02	Kick Lever Cover Screw	.15	38	GU091-01	Anti-Reverse Pawl Post	.26
11	GU046-07	Kick Lever Cover	.21	39	GU061-01	Anti-Reverse Pawl Spring	.36
12	GU019-01	Kick Lever	.41	40	GU063-01	Anti-Reverse Pawl "A"	.46
13	KQ049-01	Kick Lever Spring	.26	41	GU074-01	Anti-Reverse Pawl "B"	.46
14	GU077-08	Rotor Nut Lock Screw	.15	42	GU077-05	Anti-Reverse Pawl Screw	.15
15	KQ034-01	E-Clip	.15	43	GU027-01	Gear Shaft Bushing	.82
16	KQ034-01	E-Clip	.15	44	GU012-01	Drive Gear	2.88
17	KQ108-01	Line Slider Screw	.31	45	GU086-01	Silent Cam	.41
18	LU007-04	Arm Lever	.75	46	GU105-08	Drive Gear Adj. Washer	.15
19	GU051-02	Arm Lever Pin	.46	47	GU027-01	Body Cover Bushing	.82
20	GU105-07	Line Roller Washer	.15	48	GU053-01	Oscillator Gear	.88
21	MT004-01	Line Roller	1.24	49	GU025-01	Oscillator Slider	.88
22	MT016-02	Line Roller Bushing	.77	50	GU100-01	Main Shaft Screw	.15
23	GU347-36	Bail Assembly	3.66	51	GU023-35	Body Cover	1.65
24	KQ031-01	Arm Lever Spring Pin	.26	52	GU057-02	Body Cover Screw	.79
25	KQ049-03	Arm Lever Spring	.31	53	GU318-53	Handle Assembly	4.75
26	QL020-01	Arm Lever Spring Holder	.31	54	GU015-01	Main Shaft	1.85
27	LU087-06	Arm Lever Spring Cover	.20	55	GU009-21	Rotor	2.68
28	GU077-02	Arm Lever Cover Screw	.15				

MODEL INTRODUCED	1997	EFFECTIVE DATE OF PARTS LIST/DIAGRAM	April 1997	DISCONTINUED	N/A
------------------	------	--------------------------------------	------------	--------------	-----

Prices subject to change without notice. Prices do not include postage and handling.

PLEASE ORDER BY PART NUMBER Zebco Division Brunswick Corporation, Box 270, Tulsa, OK 74101 USA 918-831-6965

