



HTX2R / HTX3R / HTX4R

SPECIFICATIONS :

Application:

- HTX2R - Lt. FW
- HTX3R - Med. FW
- HTX4R - Hvy FW

5.2:1 Gear Ratio

Line Capacity:

- HTX2R - 140 yds / 6 lb
- HTX3R - 160 yds / 8 lb
- HTX4R - 180 yds / 10 lb

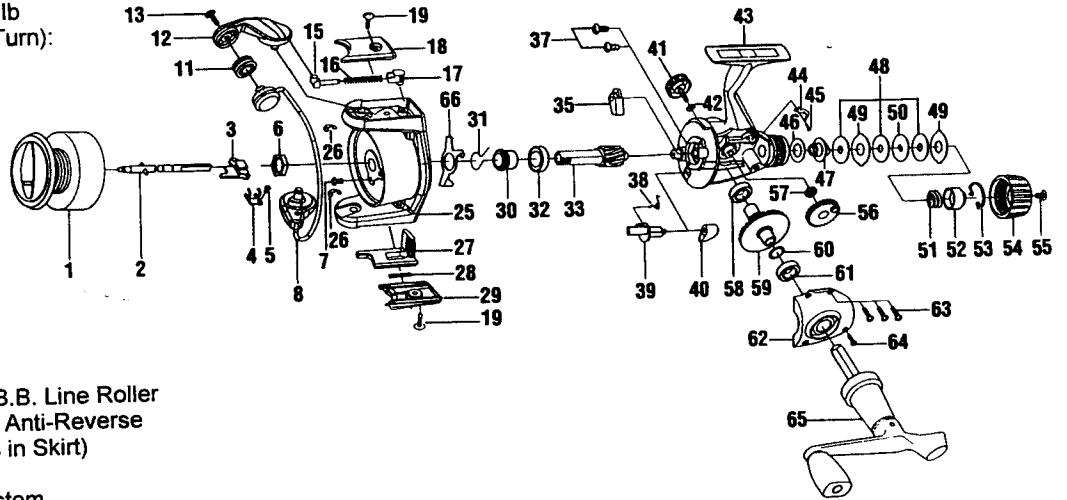
Retrieve Rate (Inches Per Turn):

- HTX2R - 24.5"
- HTX3R - 30.2"
- HTX4R - 34.1"

Weight:

- HTX2R - 9.9 oz.
- HTX3R - 12.4 oz.
- HTX4R - 13.8 oz.

5 Ball Bearings



FEATURES :

- Rear Drag
- Tru-Balanced Rotor
- Balanced Handle
- Oversized Twist Reducer B.B. Line Roller
- Selective On/Off (60 Stop) Anti-Reverse
- Aluminum Spool (w/ Holes in Skirt)
- Spare Graphite Spool
- Geared (S-Curve) O/S System
- Color:

Key No.	HTX2R	Part No. HTX3R	HTX4R	Description	Price	Key No.	HTX2R	Part No. HTX3R	HTX4R	Description	Pric
1	SH321-04	TH321-05	UH321-04	Spool Assy.		39	TH090-01	←	←	Stopper Cam	
2	SH315-01	TH315-01	UH315-01	Main Shaft		40	TH059-01	←	←	Stopper Lever	
3	SH025-01	TH025-01	←	Oscillator Slider		41	TH073-01	←	←	Handle Cap Screw	
4	SH078-01	TH078-01	←	O/S Slide Retainer		42	TH105-01	←	←	Handle Cap Washer	
5	TH100-01	←	←	Main Shaft Screw		43	SH301-01	TH301-01	TH301-03	Body Assy.	
6	GU006-01	RU006-01	←	Rotor Nut		44	TH103-01	←	←	Spool Clicker	
7	GU077-08	←	←	Rotor Nut Lck. Scrw.		45	TH146-01	←	←	Spool Clicker Screw	
8	WH347-01	XH347-01	YH347-01	Bail Assy.		46	SH039-01	TH039-01	←	Drag Friction Washer	
11	BH004-14	←	←	Line Roller B.B.		47	SH075-01	TH075-01	←	Drag Click Gear	
12	XH007-01	←	←	Arm Lever		48	SH033-01	TH033-01	←	Drag Washer "B"	
13	AQ108-01	←	←	Bail Screw		49	SH081-01	TH081-01	←	Drag Washer "A"	
15	KQ031-01	←	←	Bail Spring Shaft		50	SH080-01	TH080-01	←	Drag Washer "D"	
16	KQ049-05	←	←	Bail Spring		51	SH043-01	TH043-01	←	Drag Spring	
17	QL020-01	←	←	Bail Spring Holder		52	SH066-01	TH066-01	←	Drag Nut	
18	WH087-01	XH087-01	←	Bail Spring Cover		53	SH083-01	TH083-01	←	Drag Retainer	
19	GU077-03	←	←	Cover Screw		54	SH032-01	TH032-01	←	Drag Knob Assy.	
25	WH009-01	XH009-01	YH009-01	Rotor		55	TH101-01	←	←	Drag Knob Screw	
26	GH034-01	←	←	E-Clip		56	SH053-01	TH053-01	←	Oscillator Gear	
27	SH019-01	XH019-01	UH019-01	Kick Lever		57	TH158-01	←	←	O/S Gear B.B.	
28	TH049-01	←	←	Kick Lever Spring		58	BH027-01	AQ028-03	←	Body Ball Bearing	
29	SH024-04	TH024-05	←	Kick Lever Cover		59	SH012-01	TH012-01	←	Drive Gear	
30	WH060-01	XH060-01	←	Ratchet		60	GU105-08	←	←	Drive Gear Adj. Wshr.	
31	WH119-01	XH119-01	←	Slider Spring "A"		61	BH027-01	AQ028-03	←	Body Cvr. B.B.	
32	RH028-01	AQ028-03	←	Pinion Ball Bearing		62	SH023-04	TH023-05	TH023-12	Body Cover	
33	SH011-01	TH011-01	←	Pinion Gear		63	JU057-03	←	←	Body Cover Screw	
35	WH063-01	XH063-01	←	Stopper		64	GU057-02	←	←	Body Cover Screw	
37	TH041-01	←	←	Bearing Screw		65	RH318-04	TH318-04	←	Handle Assy.	
38	TH089-01	←	←	Stopper Cam Spring		66	WH086-01	XH086-01	←	Slider Spring "B"	

MODEL	EFFECTIVE DATE OF	
INTRODUCED : 1998	PARTS LIST/DIAGRAM: Sept. '98	DISCONTINUED : N/A

Prices subject to change without notice. Zebco, P.O. Box 270, Tulsa, Ok. 74101; 918-831-8965 Phone or 800-FIXREEL (349-7335) FAX
 PLEASE ORDER BY PART NUMBER Prices do not include postage and handling.

