



LASER300 / LASER300HS / LASER300HSL

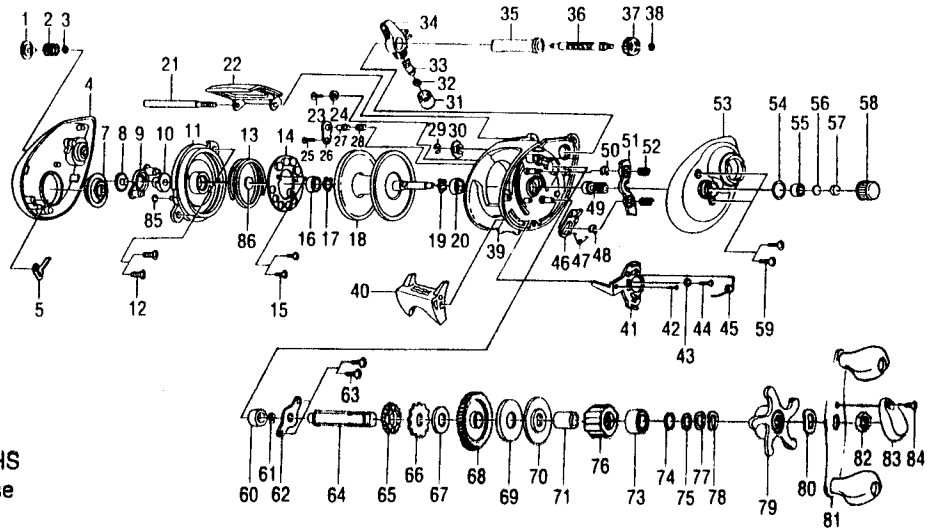
NOTE: LASER300HSL is LEFT HAND retrieve. The diagram appears as a right hand reel. However, the Key #'s on the diagram (for both the right and left hand reels) refer to the same physical part in the diagram. Notice the Side Covers are labeled "PALM" and "HANDLE" side.

SPECIFICATIONS:

Med. FW
 165 yds / 12 lb Line
 Gear Ratio :
 LASER300 - 5.1:1
 LASER300HS - 6.2:1
 LASER300HSL- 6.2:1
 Line Retrieve (inches per turn) :
 LASER300 - 20.6"
 LASER300HS - 25"
 LASER300HSL- 25"
 Weight - 8.6 oz.
 3 Bearings (2 BB; 1 RB)

FEATURES:

Thumb Bar Spool Release
 Magnetic Cast Control
 Continuous Anti-Reverse
 1 Piece Graphite Frame
 Left Hand - LASER300HSL
 Right Hand - LASER300 / LASER300HS
 Pushbutton Bayonet Sidecover Release
 Color: Black



Key No.	Description	Part Number			Price	Key No.	Description	Part Number			Price
		Laser 300	Laser 300HS	Laser 300HSL				Laser 300	Laser 300HS	Laser 300HSL	
1	Side Cover Release Button	MV119-03	⇔⇔⇔	⇔⇔⇔	2.50	44	Release Slider Screw	BV076-01	⇔⇔⇔	⇔⇔⇔	.35
2	Side Cvr Release Button Spring	MV070-01	⇔⇔⇔	⇔⇔⇔	0.75	45	Release Slider Spring	MV104-01	⇔⇔⇔	VV104-01	.45
3	Side Cover Release Pin O-Ring	QW073-0	⇔⇔⇔	⇔⇔⇔	0.72	46	Kick Lever	MV077-01	⇔⇔⇔	VV077-01	1.55
4	Palm Side Cover	MV023-06	⇔⇔⇔	VV023-0	8.00	47	Kick lever Spring	MV097-01	⇔⇔⇔	VV097-01	.65
5	Clicker Spring	MV108-01	⇔⇔⇔	VV108-0	1.00	48	Kick Lever E-Clip	QW120-0	⇔⇔⇔	⇔⇔⇔	.26
7	Magnet Dial	MV026-01	⇔⇔⇔	⇔⇔⇔	1.00	49	Pinion Gear Assembly	ZW311-0	VV311-01	VV311-02	10.10
8	Magnet Control Gear	EV026-01	⇔⇔⇔	⇔⇔⇔	0.75	50	Pinion Yoke E-Clip	QW120-0	⇔⇔⇔	⇔⇔⇔	0.26
9	Magnet Slide Cam	MV028-01	⇔⇔⇔	⇔⇔⇔	0.75	51	Pinion Yoke	MV025-01	⇔⇔⇔	VV025-01	1.00
10	Magnet Control Cam	DV026-01	⇔⇔⇔	⇔⇔⇔	0.75	52	Pinion Yoke Spring	MV040-01	⇔⇔⇔	⇔⇔⇔	0.67
11	Spool Cover	MV051-01	⇔⇔⇔	VV051-0	2.80	53	Handle Side Cover	MV024-08	MV024-09	VV024-01	9.60
12	Spool Cover Screw	ZW125-0	⇔⇔⇔	⇔⇔⇔	1.00	54	Tension Knob O-Ring	QW101-0	⇔⇔⇔	⇔⇔⇔	0.26
13	Slider Cam Spring	MV071-01	⇔⇔⇔	⇔⇔⇔	0.50	55	Tension Knob Bushing	QW117-0	⇔⇔⇔	⇔⇔⇔	0.64
14	Magnet Plate Assembly	QW330-0	⇔⇔⇔	⇔⇔⇔	2.88	56	Spool Tension Washer	QW032-0	⇔⇔⇔	⇔⇔⇔	0.52
15	Magnet Plate Screw	QW076-0	⇔⇔⇔	⇔⇔⇔	0.67	57	Spool Cushion Washer	MV082-01	⇔⇔⇔	⇔⇔⇔	0.67
16	Spool Shaft Bushing - Palm Side	BV017-01	⇔⇔⇔	⇔⇔⇔	0.95	58	Spool Tension Knob	MV033-01	⇔⇔⇔	⇔⇔⇔	2.50
17	Bearing Retainer	MV080-01	⇔⇔⇔	⇔⇔⇔	1.00	59	Side Cover Screw	QW053-0	⇔⇔⇔	⇔⇔⇔	0.67
18	Spool Assembly	MV321-02	⇔⇔⇔	V321-0	9.75	60	Crank Shaft Bushing (L)	QW017-0	⇔⇔⇔	⇔⇔⇔	0.21
19	Bearing Retainer	MV080-01	⇔⇔⇔	⇔⇔⇔	1.00	61	Crank Shaft Ret. E-Clip	BV012-0	⇔⇔⇔	⇔⇔⇔	0.26
20	Spool Shft Bearing-Handle Side	SW017-0	⇔⇔⇔	⇔⇔⇔	6.80	62	Crank Shaft Retainer	BV002-01	⇔⇔⇔	⇔⇔⇔	0.95
21	Stabilizer Bar	ZW061-0	⇔⇔⇔	⇔⇔⇔	2.80	63	Crank Shaft Ret. Screw	QW107-0	⇔⇔⇔	⇔⇔⇔	0.46
22	Front Support	MV027-07	⇔⇔⇔	⇔⇔⇔	2.50	64	Crank Shaft	ZW008-0	⇔⇔⇔	ZW008-02	5.60
23	Side Cover Stopper Collar Scre	BV076-01	⇔⇔⇔	⇔⇔⇔	0.35	65	Oscillate Drive Gear	ZW112-0	⇔⇔⇔	⇔⇔⇔	1.55
24	Side Cover Stopper Collar	BV088-01	⇔⇔⇔	⇔⇔⇔	0.85	66	Trip Ratchet	QW083-0	⇔⇔⇔	⇔⇔⇔	0.36
25	Stop Post Retainer Screw	ZW125-0	⇔⇔⇔	⇔⇔⇔	1.00	67	Trip Ratchet Washer	MV111-01	⇔⇔⇔	⇔⇔⇔	0.26
26	Side Cover Stop Post Retainer	MV056-01	⇔⇔⇔	⇔⇔⇔	0.75	68	Drive Gear	ZW012-0	VV012-01	VV012-02	10.90
27	Side Cover Stop Post	MV095-01	⇔⇔⇔	⇔⇔⇔	1.25	69	Drag Disc	QW059-0	⇔⇔⇔	⇔⇔⇔	1.70
28	Side Cover Stop Post Spring	MV096-01	⇔⇔⇔	⇔⇔⇔	0.50	70	Drag "D" Washer	QW045-0	⇔⇔⇔	⇔⇔⇔	0.82
29	Worm Shaft E-Clip	NX092-01	⇔⇔⇔	⇔⇔⇔	0.30	71	Clutch Sleeve	ZW052-0	⇔⇔⇔	⇔⇔⇔	1.25
30	Worm Shaft Bushing	QW067-0	⇔⇔⇔	⇔⇔⇔	0.67	73	Crank Shaft Ball Bearing	TW058-0	⇔⇔⇔	⇔⇔⇔	7.21
31	Line Guide Carrier Screw	ZW007-0	⇔⇔⇔	⇔⇔⇔	2.85	74	Crank Shaft Washer	TW035-0	⇔⇔⇔	⇔⇔⇔	0.46
32	Line Guide Pawl Washer	BV035-01	⇔⇔⇔	⇔⇔⇔	0.40	75	Star Drag Washer	ZW032-0	⇔⇔⇔	⇔⇔⇔	1.25
33	Line Guide Pawl	ZW006-0	⇔⇔⇔	⇔⇔⇔	2.80	76	One Way Bearing	ZW063-0	⇔⇔⇔	⇔⇔⇔	2.50
34	Line Guide Carrier Assembly	MV347-01	⇔⇔⇔	⇔⇔⇔	57.00	77	Spring "D" Washer	QW046-0	⇔⇔⇔	⇔⇔⇔	0.98
35	Worm Shaft Guide	ZW016-0	⇔⇔⇔	⇔⇔⇔	2.00	78	Spring "D" Washer	QW046-0	⇔⇔⇔	⇔⇔⇔	0.98
36	Worm Shaft	ZW072-0	⇔⇔⇔	⇔⇔⇔	7.20	79	Star Drag	ZW055-0	⇔⇔⇔	ZW055-02	2.80
37	Oscillate Pinion Gear	ZW085-0	⇔⇔⇔	⇔⇔⇔	1.75	80	Handle Washer	QW054-0	⇔⇔⇔	⇔⇔⇔	0.72
38	Oscillate Pinion Gear E-Clip	NX090-01	⇔⇔⇔	⇔⇔⇔	0.41	81	Handle Assembly	RW318-0	⇔⇔⇔	⇔⇔⇔	5.00
39	Frame	MV001-01	⇔⇔⇔	VV001-0	13.00	82	Handle Nut	QW003-0	⇔⇔⇔	QW003-0	0.36
40	Thumb Bar	MV009-01	⇔⇔⇔	VV009-0	0.70	83	Handle Nut Cap	QW034-0	⇔⇔⇔	⇔⇔⇔	0.26
41	Release Slider	MV039-01	⇔⇔⇔	VV039-0	3.10	84	Handle Nut Cap Screw	QW123-0	⇔⇔⇔	⇔⇔⇔	0.15
42	Thumb bar Screw	ZW053-0	⇔⇔⇔	⇔⇔⇔	1.00	85	Dial Friction Ring	NX105-01	⇔⇔⇔	⇔⇔⇔	0.62
43	Release Slider Guide Washer	SW121-0	⇔⇔⇔	⇔⇔⇔	0.50	86	Spool Tension Shim	QW032-0	⇔⇔⇔	⇔⇔⇔	0.52

MODEL	EFFECTIVE DATE OF	DISCONTINUED:
INTRODUCED: 1998	PARTS LIST/DIAGRAM: Oct. '98	N / A

Prices subject to change without notice. Prices do not include postage and handling.

PLEASE ORDER BY PART NUMBER

Zebco, P.O. Box 270, Tulsa, Ok. 74101; 918-831-6965 Phone or 800-FIXREEL (349-7335) FAX

