



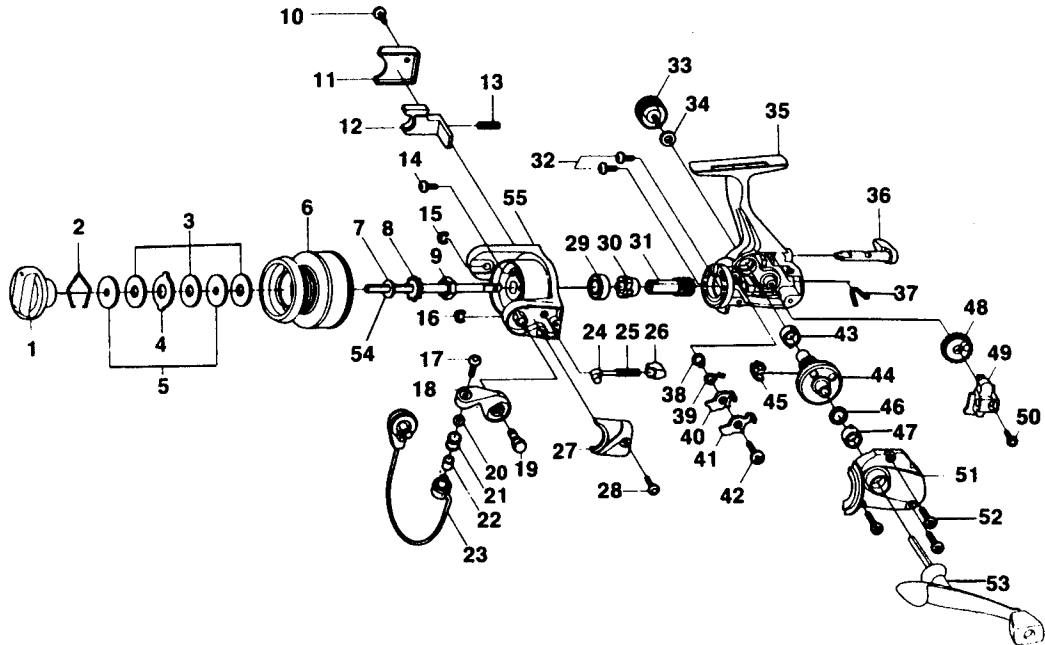
# LASER LS21

### SPECIFICATIONS:

- 1 Ball Bearing
- 125 yds/4 lb. Line Capacity
- 4.4:1 Ratio
- 7.1 oz. Weight
- Ultra Light

### FEATURES: Front Drag System

- Three-Way Silent System
- Interchangeable Balanced Handle
- Internal Bail Trip
- Twist Reducing Line Roller
- Brass Pinion Gear



Key No.	Part No.	Description	Price	Key No.	Part No.	Description	Price
1	GU332-09	Drag Knob Assembly	1.55	29	AQ028-01	Ball Bearing	6.95
2	GU038-01	Drag Retainer	.27	30	GU060-01	Ratchet Gear	2.12
3	GU105-05	Drag Washer "B"	.69	31	GU011-01	Pinion Gear	1.70
4	GU081-01	Drag Washer "A"	.54	32	GU077-01	Bearing Screw	.15
5	GU080-01	Drag Washer "D"	.54	33	GU073-01	Handle Screw Cap	.64
6	XU321-17	Spool Assembly	8.75	34	GU105-01	Handle Cap Washer	.10
7	GU105-06	Spool Adjustment Washer	.37	35	GU001-37	Body	3.25
8	GU037-01	Click Gear	.54	36	GU090-01	Anti-Reverse Stopper Lever	1.53
9	GU006-01	Rotor Nut	.32	37	GU089-01	Anti-Reverse Lever Spring	.54
10	GU077-02	Kick Lever Cover Screw	.15	38	GU091-01	Anti-Reverse Pawl Post	.27
11	GU046-01	Kick Lever Cover	.22	39	GU061-01	Anti-Reverse Pawl Spring	.37
12	GU019-01	Kick Lever	.42	40	GU063-01	Anti-Reverse Pawl "A"	.47
13	KQ049-01	Kick Lever Spring	.27	41	GU074-01	Anti-Reverse Pawl "B"	.47
14	GU077-08	Rotor Nut Lock Screw	.15	42	GU077-05	Anti-Reverse Pawl Screw	.15
15	GH034-01	E-Clip	.32	43	GU027-01	Gear Shaft Bushing	.84
16	GH034-01	E-Clip	.32	44	GU012-01	Drive Gear	2.97
17	AQ108-04	Line Slider Screw	.31	45	GU086-01	Silent Cam	.42
18	LU007-01	Arm Lever	.79	46	GU105-08	Drive Gear Adj. Washer	.15
19	GU051-02	Arm Lever Pin	.47	47	GU157-01	Body Cover Ball Bearing	6.95
20	GU105-07	Line Roller Washer	.15	48	GU053-01	Oscillator Gear	.91
21	GU004-01	Line Roller	1.24	49	GU025-01	Oscillator Slider	.91
22	MT016-01	Line Roller Bushing	.77	50	GU100-01	Main Shaft Screw	.15
23	GU347-02	Bail Assembly	3.77	51	GU023-37	Body Cover	1.75
24	KQ031-01	Arm Lever Spring Pin	.27	52	GU057-01	Body Cover Screw	.15
25	KQ049-03	Arm Lever Spring	.32	53	GU318-54	Handle Assembly	6.40
26	QL020-01	Arm Lever Spring Holder	.32	54	GU015-01	Main Shaft	1.91
27	LU087-01	Arm Lever Spring Cover	.21	55	GU009-22	Rotor	2.60
28	GU077-02	Arm Lever Cover Screw	.15				

<b>MODEL INTRODUCED</b>	Dec. 1997	<b>EFFECTIVE DATE OF PARTS LIST/DIAGRAM</b>	Dec. 1997	<b>DISCONTINUED</b>	N/A
-------------------------	-----------	---	-----------	---------------------	-----

Prices subject to change without notice. Prices do not include postage and handling.

PLEASE ORDER BY PART NUMBER Zebco Division Brunswick Corporation, Box 270, Tulsa, OK 74101 USA 918-831-6965

