



LSS34 & LSS54

SPECIFICATIONS:

160 yds./12 lb. Line Capacity

Front Drag

5.8:1 Ratio

11.8 oz. Weight

LSS34

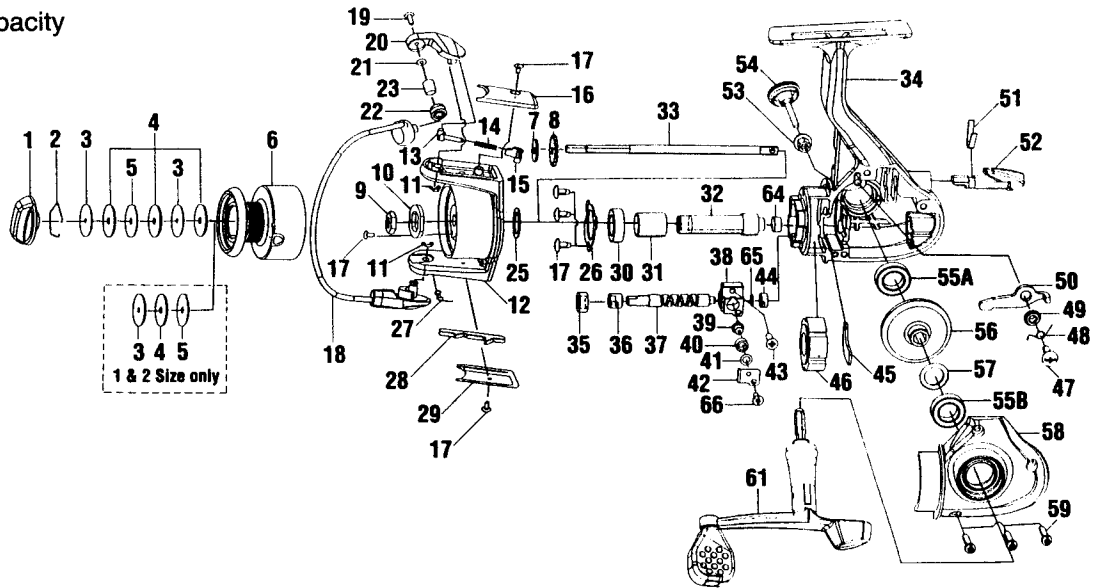
2 Ball Bearings

1 Roller Bearing

LSS54

4 Ball Bearings

1 Roller Bearing



Key No.	LSS34 Part No.	LSS54 Part No.	Description	Price	Key No.	LSS34 Part No.	LSS54 Part No.	Description	Price
1	GH332-09	FH332-09	Drag Knob Assembly	5.40	34	UL001-03	UL001-02	Body Assembly	10.30
2	AQ038-01	AQ038-01	Drag Retainer	.31	35	GH200-01	GH200-01	Level Wind Gear	2.94
3	TU080-01	TU080-01	Drag Washer "D"	1.13	36	TU202-01	TU202-01	Worm Shaft Bushing (Left)	.30
4	GH033-01	GH033-01	Drag Washer "B"	2.60	37	TU201-01	TU201-01	Worm Shaft	2.88
5	TU081-01	TU081-01	Drag Washer "A"	1.13	38	GH204-01	GH204-01	Pawl Holder	3.25
6	GH321-09	GH321-08	Spool Assembly	5.80	39	TU207-01	TU207-01	Pawl	2.63
7	TU030-01	TU030-01	Click Gear Washer	.93	40	UQ208-03	UQ208-03	Pawl Collar	.31
8	TU037-01	TU037-01	Click Gear	1.18	41	RU209-01	RU209-01	Pawl/Level Wind Washer	.30
9	GU006-02	GU006-02	Rotor Nut	.82	42	FH205-01	FH205-01	Pawl Holder Retainer	
10	TL065-01	TL065-01	Rotor "D" Washer	1.13	43	UQ100-03	UQ100-03	Main Shaft Screw	.40
11	GH034-01	GH034-01	E-Clip	.31	44	GH203-01	GH203-01	Worm Shaft Bushing (Right)	.31
12	GH009-10	GH009-10	Rotor	8.45	45	TU206-01	TU206-01	Worm Shaft Retainer	1.13
13	QL031-01	QL031-01	Bail Spring Shaft	.77	46	GH074-01	GH074-01	Clutch Bearing	10.71
14	KQ049-05	KQ049-05	Bail Spring	.31	47	GH077-01	GH077-01	Anti-Reverse Pawl Screw	.31
15	QL020-01	QL020-01	Bail Spring Holder	.31	48	TU061-01	TU061-01	Anti-Reverse Pawl Spring	.31
16	GH087-10	GH087-10	Arm Lever Spring Cover	2.95	49	TU091-01	TU091-01	Anti-Reverse Pawl Post	1.13
17	UQ057-01	UQ057-02	Screw	.31	50	TU063-01	TU063-01	Anti-Reverse Pawl	1.18
18	GH347-11	GH347-10	Bail Assembly	5.50	51	GH089-01	GH089-01	Anti-Reverse Lever Spring	1.18
19	AQ108-02	AQ108-03	Line Slider Screw	.31	52	ZQ090-01	ZQ090-02	Anti-Reverse Lever	
20	GH007-10	GH007-10	Arm Lever	2.65	53	RU105-01	TU105-01	Handle Cap Washer	.50
21	GU105-25	GU105-25	Line Roller Washer	.31	54	ZQ073-01	ZQ073-02	Handle Cap Screw	1.75
22	GH004-02	N/A	Line Roller	4.55	55A	N/A	BL157-01	Ball Bearing (Body)	5.41
22	N/A	TU004-02	L/Roller w/Bearing	6.70	55A	GH013-01	N/A	Bushing (Body)	1.60
23	GU016-01	N/A	Line Roller Bushing	.45	55B	BL157-01	BL157-01	Ball Bearing (Body Cover)	5.41
25	GU105-12	GU105-12	Rotor Washer	.31	56	GH012-01	GH012-01	Drive Gear	1.96
26	TU040-02	TU040-02	Bearing Plate	1.10	57	GU105-13	GU105-13	Adjust Washer	.64
27	GH049-01	GH049-01	Kick Lever Spring	.31	58	UU023-03	UU023-02	Side Cover	5.40
28	GH019-01	GH019-01	Kick Lever	1.96	59	KQ057-01	KQ057-02	Side Cover Screws	.31
29	GH024-10	GH024-10	Kick Lever Cover	3.00	61	UU318-02	UU318-02	Handle Assembly	10.95
30	UK028-01	UK028-01	Pinion Ball Bearing	5.72	64	RU141-01	RU141-01	Pinion Bushing	1.55
31	TU052-02	TU052-01	Bearing Sleeve	2.52	65	GU105-31	GU105-31	Worm Shaft Washer	.31
32	GH011-01	GH011-01	Pinion Gear	4.22	66	GH123-01	GH123-01	Plate Screw	.90
33	TU015-02	TU015-01	Main Shaft	3.14					

MODEL INTRODUCED 1997	EFFECTIVE DATE OF PARTS LIST/DIAGRAM March 1997	DISCONTINUED N/A
------------------------------	--	-------------------------

Prices subject to change without notice. Prices do not include postage and handling.

PLEASE ORDER BY PART NUMBER Zebco Division Brunswick Corporation Box 270, Tulsa, OK 74101 USA 918-831-6965

