



LSS31 & LSS51

SPECIFICATIONS:

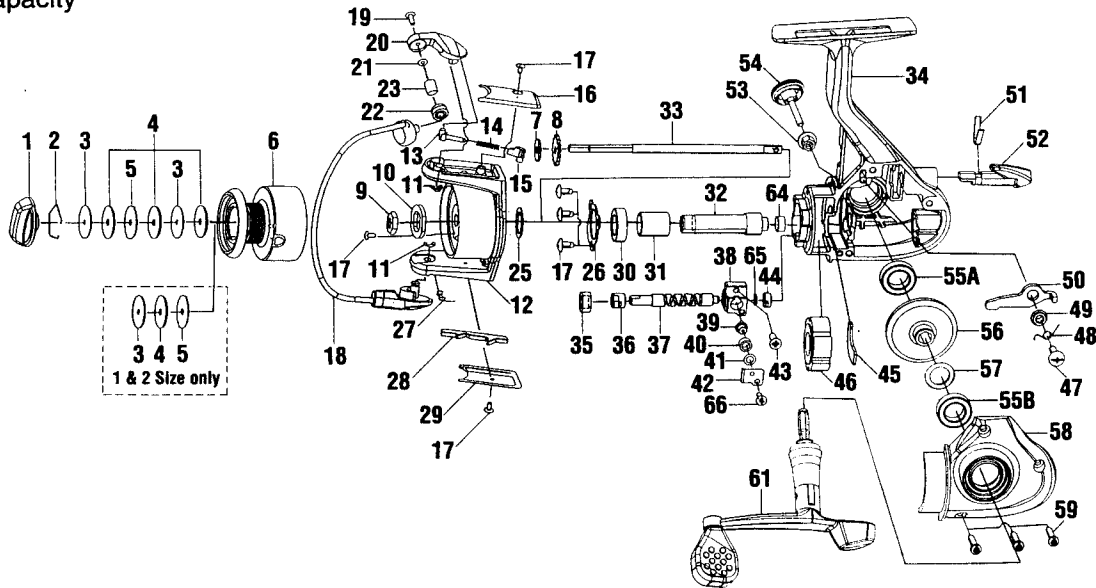
140 yds./4 lb. Line Capacity
 Front Drag
 5.8:1 Ratio
 8.5 oz. Weight

LSS31

2 Ball Bearings
 1 Roller Bearing

LSS51

4 Ball Bearings
 1 Roller Bearing



Key No.	LSS31 Part No.	LSS51 Part No.	Description	Price	Key No.	LSS31 Part No.	LSS51 Part No.	Description	Price
1	FH332-08	FH332-08	Drag Knob Assembly	5.40	34	ZQ001-06	ZQ001-05	Body Assembly	10.30
2	AQ038-01	AQ038-01	Drag Retainer	.31	35	FH200-01	FH200-01	Level Wind Gear	1.65
3	TU080-01	TU080-01	Drag Washer "D"	1.13	36	TU202-01	TU202-01	Worm Shaft Bushing (Left)	.30
4	GH033-01	GH033-01	Drag Washer "B"	2.60	37	FH201-01	FH201-01	Worm Shaft	2.37
5	TU081-01	TU081-01	Drag Washer "A"	1.13	38	ZQ204-01	ZQ204-01	Pawl Holder	3.25
6	ZQ321-08	ZQ321-07	Spool Assembly	5.80	39	TU207-01	TU207-01	Pawl	2.63
7	TU030-01	TU030-01	Click Gear Washer	.93	40	UQ208-03	UQ208-03	Pawl Collar	.31
8	TU037-01	TU037-01	Click Gear	1.18	41	RU209-01	RU209-01	Pawl/Level Wind Washer	.30
9	GU006-02	GU006-02	Rotor Nut	.82	42	FH205-01	FH205-01	Pawl Holder Retainer	1.55
10	TL065-01	TL065-01	Rotor "D" Washer	1.13	43	UQ100-03	UQ100-03	Main Shaft Screw	.40
11	GH034-01	GH034-01	E-Clip	.31	44	GH203-01	GH203-01	Worm Shaft Bushing (Right)	.31
12	ZQ009-09	ZQ009-09	Rotor	8.45	45	TU206-01	TU206-01	Worm Shaft Retainer	1.13
13	QL031-01	QL031-01	Bail Spring Shaft	.77	46	GH074-01	GH074-01	Clutch Bearing	10.71
14	KQ049-05	KQ049-05	Bail Spring	.31	47	GH077-01	GH077-01	Anti-Reverse Pawl Screw	.31
15	QL020-01	QL020-01	Bail Spring Holder	.31	48	TU061-01	TU061-01	Anti-Reverse Pawl Spring	.31
16	ZQ087-09	ZQ087-09	Arm Lever Spring Cover	2.95	49	TU091-01	TU091-01	Anti-Reverse Pawl Post	1.13
17	UQ057-01	UQ057-01	Screw	.31	50	TU063-01	TU063-01	Anti-Reverse Pawl	1.18
18	ZQ347-10	ZQ347-09	Bail Assembly	5.50	51	GH089-01	GH089-01	Anti-Reverse Lever Spring	1.18
19	AQ108-02	AQ108-03	Line Slider Screw	.31	52	ZQ090-01	ZQ090-02	Anti-Reverse Lever	2.25
20	ZQ007-09	ZQ007-09	Arm Lever	2.65	53	RU105-01	TU105-01	Handle Cap Washer	.50
21	GU105-25	GU105-25	Line Roller Washer	.31	54	ZQ073-01	ZQ073-02	Handle Cap Screw	1.75
22	N/A	TU004-02	L/Roller Washer w/Bearing	6.70	55A	N/A	BL157-01	Ball Bearing (Body)	5.41
23	GU016-02	N/A	Line Roller Bushing	4.55	55A	GH013-01	N/A	Bushing (Body)	1.60
24	GH004-02	N/A	Line Roller	.45	55B	BL157-01	BL157-01	Ball Bearing (Body Cover)	5.41
25	GU105-12	GU105-12	Rotor Washer	.31	56	FH012-01	FH012-01	Drive Gear	1.08
26	N/A	N/A			57	GU105-13	GU105-13	Adjust Washer	.64
27	GH049-01	GH049-01	Kick Lever Spring	.31	58	ZQ023-06	ZQ023-05	Side Cover	5.40
28	FH019-01	FH019-01	Kick Lever	1.08	59	KQ057-01	KQ057-02	Side Cover Screws	.31
29	ZQ024-09	ZQ024-09	Kick Lever Cover	3.00	61	ZQ318-02	ZQ318-02	Handle Assembly	10.95
30	BL157-01	BL157-01	Pinion Ball Bearing	5.41	64	RU141-01	RU141-01	Pinion Bushing	1.55
31	TU052-01	TU052-01	Bearing Sleeve	2.68	65	GU105-31	GU105-31	Worm Shaft Washer	.31
32	FH011-01	FH011-01	Pinion Gear	3.45	66	GH123-01	GH123-01	Plate Screw	.90
33	FH015-02	FH015-01	Main Shaft	2.52					

MODEL INTRODUCED	1997	EFFECTIVE DATE OF PARTS LIST/DIAGRAM	March 1997	DISCONTINUED	N/A
------------------	------	--------------------------------------	------------	--------------	-----

Prices subject to change without notice. Prices do not include postage and handling.

PLEASE ORDER BY PART NUMBER Zebco Division Brunswick Corporation, Box 270, Tulsa, OK 74101 USA 918-831-6965

