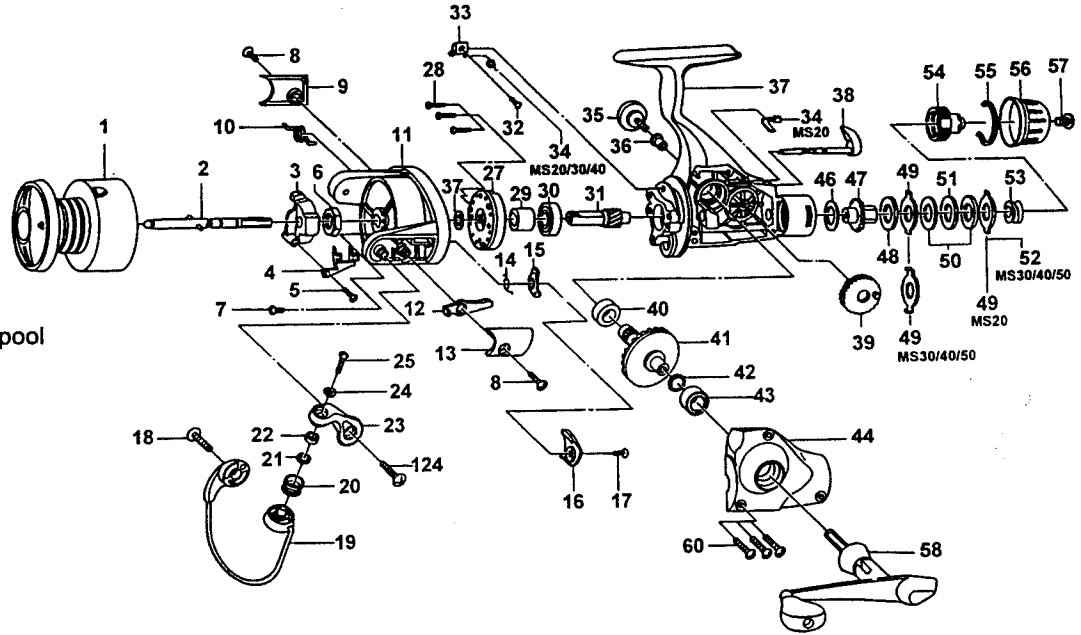


SPECIFICATIONS :

- Lt FW - MS20
- M Lt. FW - MS30
- 150 yds / 6 lb Line Capacity - MS20
- 150 yds / 8 lb Line Capacity - MS30
- 5.2:1 Gear Ratio
- 9 oz. - MS20
- 11.3 oz. - MS30
- 24 Inches Per Handle Turn - P20
- 25 Inches Per Handle Turn - P30
- 3 Ball Bearings; 1 Roller Bearing

FEATURES :

- Rear Drag
- Balanced Rotor
- Balanced Handle
- Twist Reducer Line Roller
- Selective Continuous Anti-Reverse
- Aluminum Long Stroke Max-Cast Spool
- Paddle Handle Knob



Key No.	Part No. MS20	Part No. MS30	DESCRIPTION	Price	Key No.	Part No. MS20	Part No. MS30	DESCRIPTION	Price
1	EK321-11	EK321-21	Spool Assembly		30	ZH028-01	BH028-01	Pinion Ball Bearing	
2	EK315-11	EK315-21	Main Shaft Assembly		31	ZH011-11	ZH011-21	Pinion Gear	
3	EK025-11	EK025-21	O/S Slider		32	ZH135-11	←	A/R Cam Screw	
4	EK078-11	EK078-21	O/S Slider Retainer		33	ZH090-11	ZH090-21	A/R Cam	
5	JU100-01	←	Main Shaft Screw		34	ZH089-11	ZH089-21	A/R Cam Spring	
6	ZH006-11	ZH006-21	Rotor Nut		35	ZH073-12	←	Handle Screw Cap	
7	GU077-08	←	Rotor Nut Lock Screw		36	ZH105-11	←	Handle Cap Washer	
8	GU077-02	←	Cover Screw		37	EK301-11	EK301-21	Body Assembly	
9	ZH024-12	ZH024-22	Bail Holder Cover		38	ZH059-11	ZH059-21	Stopper Lever	
10	ZH022-11	ZH022-21	Bail Spring		39	ZH053-11	ZH053-21	O/S Gear	
11	ZH009-12	ZH309-22	Rotor Assembly		40	EK027-11	EK027-21	Body Bushing	
12	ZH116-11	ZH116-21	Bail Trip Lever		41	ZH012-11	ZH012-21	Driver Gear	
13	ZH046-12	ZH046-22	Arm Lever Cover		42	GU105-08	GU105-13	Adjust Washer	
14	ZH049-11	←	Kick Lever Spring		43	AQ028-01	BL157-01	Body Cover Ball Bearing	
15	ZH019-11	←	Kick Lever		44	EK323-11	EK323-21	Body Cover Assembly	
16	ZH082-12	ZH082-22	Kick Lever Cover		45	GU057-01	JU057-04	Body Cover Screw	
17	GU077-09	←	Cover Screw		46	EK039-11	EK039-21	Drag Friction Washer "A"	
18	JU077-02	←	Bail Holder Screw		47	EK075-11	EK075-21	Drag Click Gear	
19	ZH347-12	ZH347-22	Bail Assembly		48	EK045-11	EK045-21	Drag Friction Washer "B"	
20	ZH004-11	←	Line Roller		49	EK081-11	EK081-21	Drag Washer "A"	
21	ZH102-11	←	Line Roller Washer		50	EK033-11	EK033-21	Drag Washer "B"	
22	ZH016-11	←	Line Roller Bushing		51	EK080-11	EK080-21	Drag Washer "D"	
23	ZH007-12	ZH007-22	Arm Lever		52	N / A	EK029-21	Drag Key Washer	
24	ZH109-11	←	Line Roller Lock Washer		53	EK043-11	EK043-21	Drag Spring	
25	AQ108-02	←	Line Screw		54	EK066-11	EK066-21	Drag Nut	
26	ZH110-11	ZH110-21	Rotor Washer		55	EK070-11	EK070-21	Drag Retainer	
27	ZH074-11	←	Clutch Bearing		56	EK032-11	EK032-21	Drag Knob	
28	ZH041-11	ZH041-21	Bearing Screw		57	EK101-11	EK101-21	Drag Knob Screw	
29	ZH139-11	ZH139-21	Bearing Sleeve		58	ZH318-12	ZH318-22	Handle Assembly	

MODEL	EFFECTIVE DATE OF	DISCONTINUED :
INTRODUCED : 1998	PARTS LIST/DIAGRAM: July '98	N / A

Prices subject to change without notice. Prices do not include postage and handling.

PLEASE ORDER BY PART NUMBER

Zebco, P.O. Box 270, Tulsa, Ok. 74101; 918-831-6965 Phone or 800-FIXREEL (349-7335) FAX

