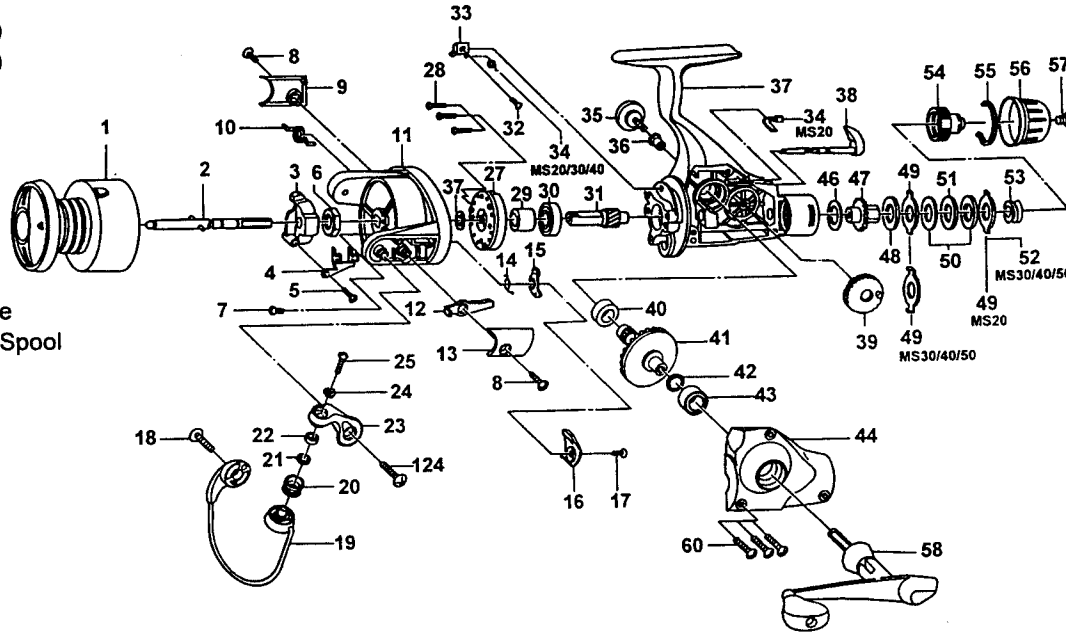


### SPECIFICATIONS :

- Lt FW - P40
- M Lt. FW - P50
- 140 yds / 12 lb Line Capacity - P40
- 170 yds / 14 lb Line Capacity - P50
- 4.6:1 Gear Ratio
- 14.8 oz. - P40
- 15.3 oz. - P50
- 27 Inches Per Handle Turn - P40
- 28 Inches Per Handle Turn - P50
- 3 Ball Bearings; 1 Roller Bearing

### FEATURES :

- Front Drag
- Balanced Rotor
- Balanced Handle
- Twist Reducer Line Roller
- Selective Continuous Anti-Reverse
- Aluminum Long Stroke Max-Cast Spool
- Wooden Handle Knob



Key No.	MS40 Part No.	MS50 Part No.	DESCRIPTION	Price	Key No.	MS40 Part No.	MS50 Part No.	DESCRIPTION	Pri
1	EK321-31	EK321-41	Spool Assembly		30	BH028-32	←	Pinion Ball Bearing	
2	EK315-31	←	Main Shaft Assembly		31	ZH011-31	←	Pinion Gear	
3	EK025-31	←	O/S Slider		32	ZH135-11	←	A/R Cam Screw	
4	EK078-31	←	O/S Slider Retainer		33	ZH090-31	←	A/R Cam	
5	JU100-01	←	Main Shaft Screw		34	ZH089-21	←	A/R Cam Spring	
6	ZH006-31	←	Rotor Nut		35	ZH073-12	←	Handle Screw Cap	
7	GU077-08	←	Rotor Nut Lock Screw		36	ZH105-31	←	Handle Cap Washer	
8	GU077-02	←	Cover Screw		37	EK301-31	←	Body Assembly	
9	ZH024-32	←	Bail Holder Cover		38	ZH059-31	←	Stopper Lever	
10	ZH022-31	←	Bail Spring		39	ZH053-31	←	O/S Gear	
11	ZH309-32	ZH309-42	Rotor Assembly		40	EK027-21	←	Body Bushing	
12	ZH116-31	←	Bail Trip Lever		41	ZH012-31	←	Driver Gear	
13	ZH046-32	←	Arm Lever Cover		42	GU105-13	←	Adjust Washer	
14	ZH049-11	←	Kick Lever Spring		43	BL157-01	←	Body Cover Ball Bearing	
15	ZH019-11	ZH019-41	Kick Lever		44	EK323-31	←	Body Cover Assembly	
16	ZH082-32	ZH082-42	Kick Lever Cover		45	JU057-04	←	Body Cover Screw	
17	GU077-09	←	Cover Screw		46	EK039-31	←	Drag Friction Washer "A"	
18	JU077-02	←	Bail Holder Screw		47	EK075-31	←	Drag Click Gear	
19	ZH347-32	ZH347-42	Bail Assembly		48	EK045-31	←	Drag Friction Washer "B"	
20	ZH004-11	←	Line Roller		49	EK081-31	←	Drag Washer "A"	
21	ZH102-11	←	Line Roller Washer		50	EK033-31	←	Drag Washer "B"	
22	ZH016-11	←	Line Roller Bushing		51	EK080-31	←	Drag Washer "D"	
23	ZH007-22	←	Arm Lever		52	EK029-31	←	Drag Key Washer	
24	ZH109-11	←	Line Roller Lock Washer		53	EK043-31	←	Drag Spring	
25	AQ108-02	←	Bail Screw		54	EK066-31	←	Drag Nut	
26	ZH110-31	←	Rotor Washer		55	EK070-31	←	Drag Retainer	
27	ZH074-31	←	Clutch Bearing		56	EK032-31	←	Drag Knob	
28	ZH041-31	←	Bearing Screw		57	EK101-21	←	Drag Knob Screw	
29	ZH139-31	←	Bearing Sleeve		58	ZH318-32	←	Handle Assembly	

**MODEL**  
INTRODUCED : 1998

**EFFECTIVE DATE OF**  
PARTS LIST/DIAGRAM: July '98

**DISCONTINUED :** N / A

Prices subject to change without notice. Prices do not include postage and handling.

PLEASE ORDER BY PART NUMBER

7ebco P.O. Box 270, Tulsa, Ok. 74101; 918-831-6965 Phone or 800-FIXREEL (349-7335) FAX