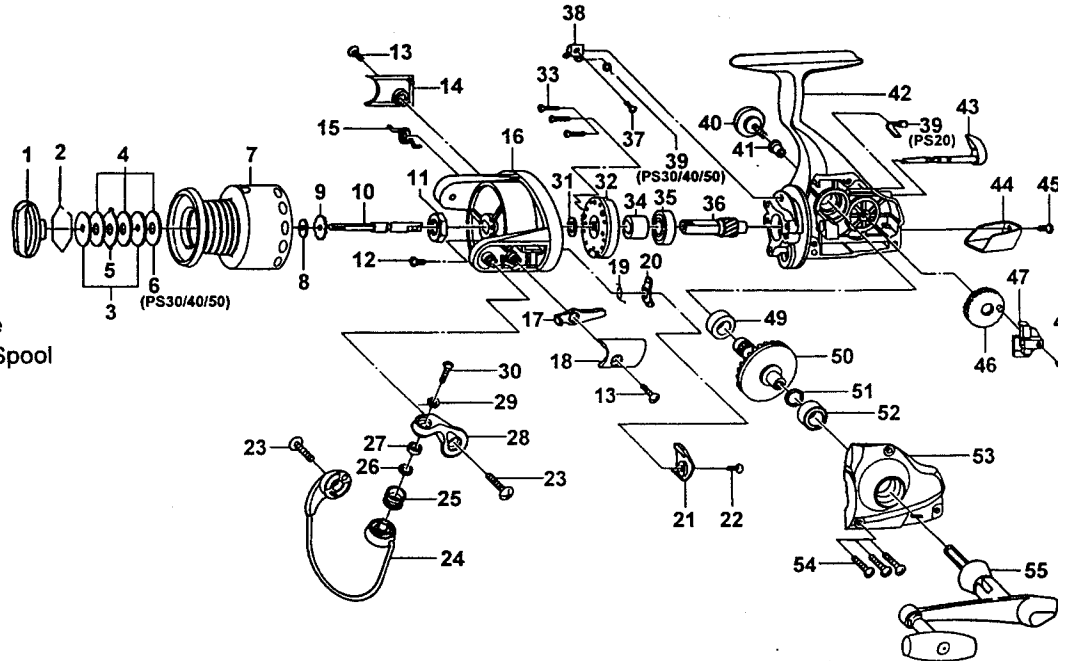


SPECIFICATIONS :

- Lt FW - P20
- M Lt. FW - P30
- 150 yds / 6 lb Line Capacity - P20
- 150 yds / 8 lb Line Capacity - P30
- 5.2:1 Gear Ratio
- 8.7 oz. - P20
- 10.8 oz. - P30
- 24 Inches Per Handle Turn - P20
- 25 Inches Per Handle Turn - P30
- 3 Ball Bearings; 1 Roller Bearing

FEATURES :

- Front Drag
- Balanced Rotor
- Balanced Handle
- Twist Reducer Line Roller
- Selective Continuous Anti-Reverse
- Aluminum Long Stroke Max-Cast Spool
- Wooden Handle Knob



Key No.	Part No. P20	Part No. P30	DESCRIPTION	Price	Key No.	Part No. P20	Part No. P30	DESCRIPTION	Pr
1	ZH332-11	ZH332-21	Drag Knob Assembly		29	ZH109-11	←	Line Roller Lock Washer	
2	ZH038-11	←	Drag Retainer		30	AQ108-07	←	Bail Screw	
3	ZH080-11	←	Drag Washer "D"		31	ZH110-11	ZH110-21	Rotor Washer	
4	ZH033-11	←	Drag Washer "B"		32	ZH074-11	←	Clutch Bearing	
5	ZH081-11	←	Drag Washer "A"		33	ZH041-11	ZH041-21	Bearing Screw	
6	N / A	ZH039-11	Drag Washer		34	ZH139-11	ZH139-21	Bearing Sleeve	
7	ZH321-11	ZH321-21	Spool Assembly		35	ZH028-01	BH028-01	Pinion Ball Bearing	
8	ZH037-11	←	Spool Click Gear		36	ZH011-11	ZH011-21	Pinion Gear	
9	ZH030-11	←	Spool Washer		37	ZH135-11	←	A/R Cam Screw	
10	ZH015-11	ZH015-21	Main Shaft		38	ZH090-11	ZH090-21	A/R Cam	
11	ZH006-11	ZH006-21	Rotor Nut		39	ZH089-11	ZH089-21	A/R Cam Spring	
12	GU077-08	←	Rotor Nut Lock Screw		40	ZH073-11	←	Handle Screw Cap	
13	GU077-15	←	Cover Screw		41	ZH105-11	←	Handle Cap Washer	
14	ZH024-11	ZH024-21	Bail Holder Cover		42	ZH001-11	ZH001-21	Body	
15	ZH022-11	ZH022-21	Bail Spring		43	ZH059-11	ZH059-21	Stopper Lever	
16	ZH009-11	ZH309-21	Rotor Assembly		44	ZH140-11	ZH140-21	Rear Cover	
17	ZH116-11	ZH116-21	Bail Trip Lever		45	GU077-13	←	Cover Screw	
18	ZH046-11	ZH046-21	Arm Lever Cover		46	ZH053-11	ZH053-21	O/S Gear	
19	ZH049-11	←	Kick Lever Spring		47	ZH025-11	ZH025-21	O/S Slider	
20	ZH019-11	←	Kick Lever		48	ZH100-11	GU100-01	Main Shaft Screw	
21	ZH082-11	ZH082-21	Kick Lever Cover		49	GU157-01	BL157-01	Body Ball Bearing	
22	GU077-13	←	Cover Screw		50	ZH012-11	ZH012-21	Driver Gear	
23	JU077-03	←	Bail Holder Screw		51	GU105-08	GU105-13	Adjust Washer	
24	ZH347-11	ZH347-21	Bail Assembly		52	AQ028-01	BL157-01	Body Cover Ball Bearing	
25	ZH004-11	←	Line Roller		53	ZH023-11	ZH023-21	Body Cover	
26	ZH102-11	←	Line Roller Washer		54	GU057-03	JU057-05	Body Cover Screw	
27	ZH016-11	←	Line Roller Bushing		55	ZH318-11	ZH318-21	Handle Assembly	
28	ZH007-11	ZH007-21	Arm Lever						

MODEL	EFFECTIVE DATE OF	
INTRODUCED : 1998	PARTS LIST/DIAGRAM: July '98	DISCONTINUED : N/A