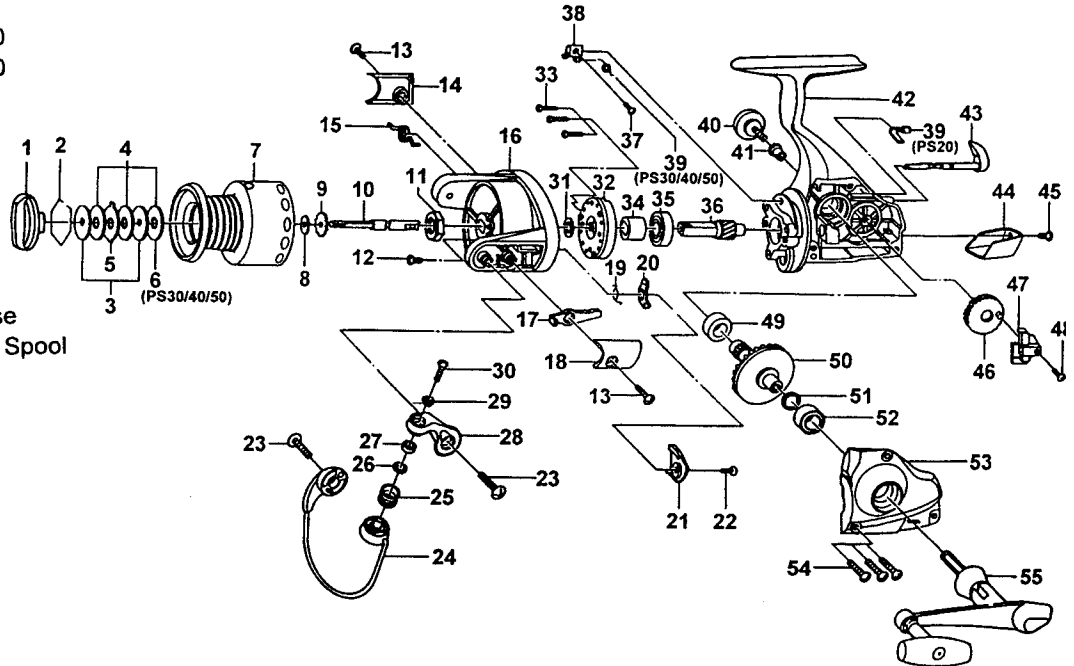


### SPECIFICATIONS :

- Lt FW - P40
- M Lt. FW - P50
- 140 yds / 12 lb Line Capacity - P40
- 170 yds / 14 lb Line Capacity - P50
- 4.6:1 Gear Ratio
- 14.8 oz. - P40
- 15.3 oz. - P50
- 27 Inches Per Handle Turn - P40
- 28 Inches Per Handle Turn - P50
- 3 Ball Bearings; 1 Roller Bearing

### FEATURES :

- Front Drag
- Balanced Rotor
- Balanced Handle
- Twist Reducer Line Roller
- Selective Continuous Anti-Reverse
- Aluminum Long Stroke Max-Cast Spool
- Wooden Handle Knob



Key No.	Part No. P40	Part No. P50	DESCRIPTION	Price	Key No.	Part No. P40	Part No. P50	DESCRIPTION	Price
1	ZH332-31	ZH332-31	Drag Knob Assembly		29	ZH109-11	←	Line Roller Lock Washer	
2	ZH038-11	←	Drag Retainer		30	AQ108-07	←	Bail Screw	
3	ZH080-31	←	Drag Washer "D"		31	ZH110-31	←	Rotor Washer	
4	ZH033-11	←	Drag Washer "B"		32	ZH074-31	←	Clutch Bearing	
5	ZH081-31	←	Drag Washer "A"		33	ZH041-31	←	Bearing Screw	
6	ZH039-31	←	Drag Washer		34	ZH139-31	←	Bearing Sleeve	
7	ZH321-31	ZH321-41	Spool Assembly		35	BH028-32	←	Pinion Ball Bearing	
8	ZH037-31	←	Spool Click Gear		36	ZH011-31	←	Pinion Gear	
9	ZH030-31	←	Spool Washer		37	ZH135-11	←	A/R Cam Screw	
10	ZH015-31	←	Main Shaft		38	ZH090-31	←	A/R Cam	
11	ZH006-31	ZH006-31	Rotor Nut		39	ZH089-21	←	A/R Cam Spring	
12	GU077-08	←	Rotor Nut Lock Screw		40	ZH073-11	←	Handle Screw Cap	
13	GU077-15	←	Cover Screw		41	ZH105-31	←	Handle Cap Washer	
14	ZH024-31	←	Bail Holder Cover		42	ZH001-31	←	Body	
15	ZH022-31	←	Bail Spring		43	ZH059-31	←	Stopper Lever	
16	ZH309-31	ZH309-41	Rotor Assembly		44	ZH140-31	←	Rear Cover	
17	ZH116-31	←	Bail Trip Lever		45	GU077-13	←	Cover Screw	
18	ZH046-31	←	Arm Lever Cover		46	ZH053-31	←	O/S Gear	
19	ZH049-11	←	Kick Lever Spring		47	ZH025-31	←	O/S Slider	
20	ZH019-11	ZH019-41	Kick Lever		48	GU100-01	←	Main Shaft Screw	
21	ZH082-31	ZH082-41	Kick Lever Cover		49	BL157-01	←	Body Ball Bearing	
22	GU077-13	←	Cover Screw		50	ZH012-31	←	Driver Gear	
23	JU077-03	←	Bail Holder Screw		51	GU105-13	←	Adjust Washer	
24	ZH347-31	ZH347-41	Bail Assembly		52	BL157-01	←	Body Cover Ball Bearing	
25	ZH004-11	←	Line Roller		53	ZH023-31	←	Body Cover	
26	ZH102-11	←	Line Roller Washer		54	JU057-05	←	Body Cover Screw	
27	ZH016-11	←	Line Roller Bushing		55	ZH318-31	←	Handle Assembly	
28	ZH007-21	←	Arm Lever						

<b>MODEL</b>	<b>EFFECTIVE DATE OF</b>	<b>DISCONTINUED :</b>
INTRODUCED : 1998	PARTS LIST/DIAGRAM: July '98	N/A

Prices subject to change without notice. Prices do not include postage and handling.

