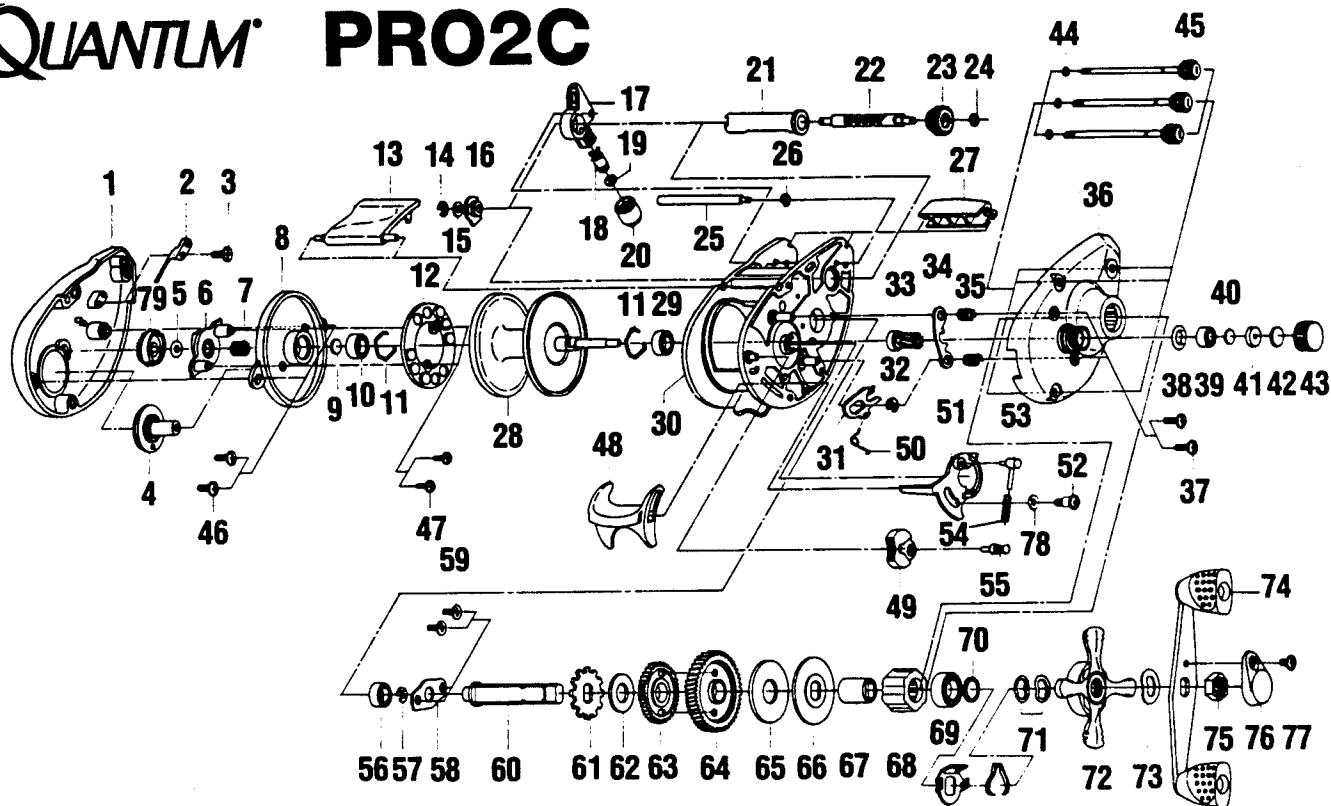


# QUANTUM PRO2C



Key No.	Part No.	Description	Price	Key No.	Part No.	Description	Price
1	TW023-01	Left Side Cover	8.24	42	QW082-01	Cushion Washer - Spool	.65
2	QW108-01	Clicker	.65	43	TW033-02	Spool Tension Knob	2.83
3	QW125-01	Screw - Clicker	.45	44	QW073-01	Ring - Thumb Screw Ret.	.70
4	TW026-01	Magnet Control Dial	1.53	45	QW374-02	Thumb Screw	1.13
5	NX105-01	Dial Friction Ring	.60	46	QW125-01	Screw- Spool Cover	.45
6	QW028-01	Slide Cam	.70	47	QW076-01	Screw- Magnet Ring	.65
7	NX071-01	Slide Cam Spring	.50	48	SW009-01	Thumb Bar	.65
8	QW051-01	Spool Cover	1.70	49	SW087-01	Flippin Switch	.65
9	QW032-01	Spool Tension Shim	.50	50	QW097-01	Spring Kick Lever	.45
10	SW017-01	Bearing	6.59	51	SW039-01	Release Slider	1.85
11	QW080-01	Clip Ring	.50	52	QW076-01	Screw - Release Slider	.65
12	QW330-01	Magnet Plate Assy	2.80	54	SW104-01	Spring Release Slider	.45
13	TW027-02	Hood	3.86	55	SW050-01	Thumb Bar Retaining Screw	.65
14	NX092-01	E-Clip (Worm Shaft)	.25	56	QW017-01	Bushing - Crankshaft	.20
15	QW035-03	Washer (Worm Shaft)	.25	57	QW120-01	E-Ring Crankshaft	.25
16	QW067-01	Worm Shaft Bushing	.65	58	QW002-01	Retainer - Crankshaft	.80
17	QW347-01	Line Guide Carrier	2.70	59	TW107-01	Screw - Crankshaft Retainer	.10
18	QW006-01	Line Guide Pawl	2.70	60	QW008-01	Crankshaft	2.30
19	QW035-03	Washer (L/G Pawl)	.25	61	QW083-01	Trip Ratchet	.35
20	QW007-02	Line Guide Carrier Screw	2.16	62	QW111-01	Washer	.25
21	QW016-01	Worm Shaft Guide	1.10	63	QW112-01	Gear - L/W Idler	.85
22	QW072-01	Worm Shaft	4.30	64	SW012-01	Drive Gear	10.35
23	QW085-01	Level Wind Gear	.85	65	QW059-01	Drag Disc	1.65
24	NX090-01	E-Ring (L/W Gear)	.40	66	QW045-01	Drag Washer	.80
25	QW061-02	Stabilizer Bar	2.58	67	QW052-01	Clutch Sleeve	2.75
26	NX090-01	E-Ring (Stabilizer Bar)	.40	68	QW063-01	Anti-Reverse Clutch	10.50
27	QW099-07	Front Support	3.24	69	TW058-01	Bearing - Crankshaft Top	7.00
28	QW321-01	Spool Assy	14.42	70	TW035-01	Washer - Crankshaft	1.44
29	SW017-01	Bearing	6.59	71	QW046-02	Spring "D" Washer	.95
30	UW301-01	Frame Assy	26.24	72	QW055-01	Drag Star	1.85
31	SW077-01	Kick Lever	.90	73	QW054-01	Handle Washer	.70
32	QW120-01	E-Ring (Kick Lever)	.25	74	TW318-01	Handle Assy	6.18
33	SW311-01	Pinion Gear	10.04	75	QW003-02	Handle Nut	.35
34	SW025-01	Pinion Yoke	.65	76	QW034-01	Handle Nut Cap	.25
35	QW040-01	Spring-Pinion Yoke	.65	77	QW123-03	Handle Nut Cap Screw	.10
36	SW024-02	Right Side Cover	8.70	78	SW121-01	Washer	.45
37	QW053-02	Screw (Rt. Side Cover)	.93	79	TW110-01	Click Spring Retainer	2.16
38	QW101-01	Tension Knob Ring	.25	80	TW114-01	Click Spring -	1.08
39	QW117-01	Bushing - Tension Knob	.20	81	UW026-01	Magnet Control Cam	1.53
40	QW032-01	Washer - Spool Tension	.50	82	SW094-02	Spacer	.46
41	QW081-01	Collar	3.90				

Prices subject to change without notice. Prices do not include postage and handling.

**PLEASE ORDER BY PART NUMBER**

Rev. 6/95

Zebco Division Brunswick Corporation, Box 270, Tulsa, OK 74101 USA 918-836-5581

