

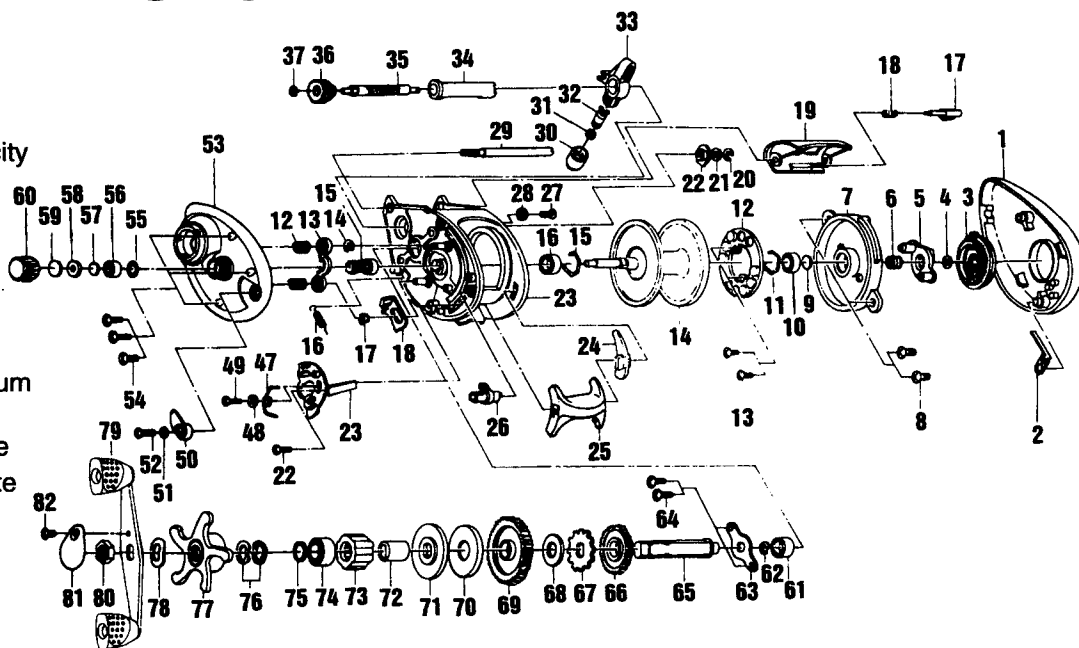
# QUANTUM PS401CX

## SPECIFICATIONS:

- 3 Ball Bearings
- 1 Roller Bearing
- 165 yd/12 lb Line Capacity
- 6.2:1 Ratio
- 8.5 oz. Weight

## FEATURES:

- Magnetic Anti-Backlash Control
- Extra Wide Brass Magnum Gears
- Continuous Anti-Reverse
- Quick Release Side Plate
- Color: Metallic Silver



Key No.	Part No.	Description	Price	Key No.	Part No.	Description	Price
1	CV024-05	Right Side Cover	8.96	42	CW077-01	Kick Lever	1.60
2	CV108-01	Clicker Spring	.54	43	QW120-01	E-Clip - Kick Lever	.27
3	CV026-02	Magnet Dial	1.03	44	ZW097-01	Spring - Kick Lever	.67
4	NX105-01	Dial Friction Ring	.64	45	CV039-01	Release Slider	.67
5	BV028-01	Slide Cam	.77	46	ZW053-01	Screw - Thumb Bar	1.03
6	NX071-01	Slide Cam Spring	.54	47	CV104-01	Spring - Release Slider	.46
7	CV051-01	Spool Cover	1.80	48	SW121-01	Washer - Release Slider Guide	.52
8	ZW125-01	Spool Cover Screw	1.03	49	BV076-01	Screw - Release Slider	.36
9	QW032-04	Spool Tension Shim	.54	50	CV087-01	Flipping Switch	.67
10	UW017-01	Ball Bearing - Spool Shaft (Mag)	7.00	51	BV126-01	Teeth Washer - Flipping Switch	.36
11	QW080-01	Clip Ring	.54	52	QW123-01	Screw - Flipping Switch	.15
12	QW330-01	Magnet Plate Assy	2.97	53	CV023-05	Left Side Cover	5.30
13	QW076-01	Magnet Plate Screw	.69	54	BV123-01	Screw - Side Cover	.72
14	ZW321-04	Spool Assy	15.30	55	QW101-01	O-Ring - Tension Knob	.27
15	QW080-01	Clip Ring	.54	56	QW117-01	Bushing - Tension Knob	.21
16	SW017-01	Bearing - Spool Shaft (Gear)	7.00	57	QW032-04	Washer - Spool Tension	.54
17	ZW119-01	Side Cover Locking Lever	1.03	58	QW081-01	Collar - Spool Tension	.99
18	ZW096-01	Spring - Locking Lever	1.03	59	QW082-01	Spool Cushion Washer	.69
19	CV027-02	Front Support	3.35	60	ZW033-01	Spool Tension Knob	5.15
20	NX092-01	E-Clip - Worm Shaft	.31	61	ZW017-01	Bushing - Crank Shaft (L)	.67
21	QW035-03	Washer - Worm Shaft	.27	62	QW120-01	E-Clip - Crank Shaft	.27
22	QW067-01	Bushing - Worm Shaft	.69	63	BV002-01	Retainer - Crank Shaft	.98
23	CV001-02	Frame	18.00	64	QW107-01	Screw - Crank Shaft Retainer	.47
24	CV056-01	Retainer - Thumb Bar (L)	.26	65	ZW008-02	Crank Shaft	5.56
25	CV009-01	Thumb Bar	.72	66	ZW112-01	O/S Drive Gear	1.60
26	CV037-01	Flipping Cam	.98	67	QW083-01	Trip Ratchet	.37
27	BV076-01	Screw - Cover Stopper Collar	.36	68	QW111-01	Washer - Trip Ratchet	.27
28	BV088-01	Collar - Side Cover Stopper	.88	69	VW012-02	Drive Gear	10.82
29	ZW061-01	Stabilizer Bar	2.88	70	QW059-01	Drag Disc	1.75
30	ZW007-01	Screw - Line Guide Carrier	2.94	71	QW045-01	Drag "D" Washer	.84
31	BV035-01	Washer - Carrier	.41	72	ZW052-01	Sleeve - One Way Clutch	1.00
32	ZW006-01	Line Guide Pawl	2.88	73	ZW063-01	One Way Bearing	9.50
33	ZW347-01	Line Guide Carrier Assy	5.87	74	TW058-01	Ball Bearing - Crank Shaft	7.43
34	ZW016-01	Worm Shaft Guide	2.06	75	TW035-02	Washer - Crank Shaft	.47
35	ZW072-01	Worm Shaft	7.42	76	QW046-02	Spring "D" Washer	1.01
36	ZW085-01	O/S Pinion Gear	1.80	77	ZW055-02	Star Drag	2.83
37	NX090-01	E-Clip - O/S Pinion Gear	.42	78	QW054-01	Handle Washer	.74
38	VW311-02	Pinion Gear Assy	10.56	79	TW318-05	Handle Assy	6.44
39	QW120-01	E-Clip - Pinion Yoke Shaft	.27	80	QW003-02	Handle Nut	.37
40	CW025-01	Pinion Yoke	.27	81	JX034-01	Handle Nut Cap	.43
41	QW040-01	Yoke Spring	.69	82	QW123-01	Screw - Handle Nut Cap	.15

<b>MODEL INTRODUCED</b>	Dec. 1997	<b>EFFECTIVE DATE OF PARTS LIST/DIAGRAM</b>	Dec. 1997	<b>DISCONTINUED</b>	N/A
-------------------------	-----------	---	-----------	---------------------	-----

Prices subject to change without notice. Prices do not include postage and handling.

