

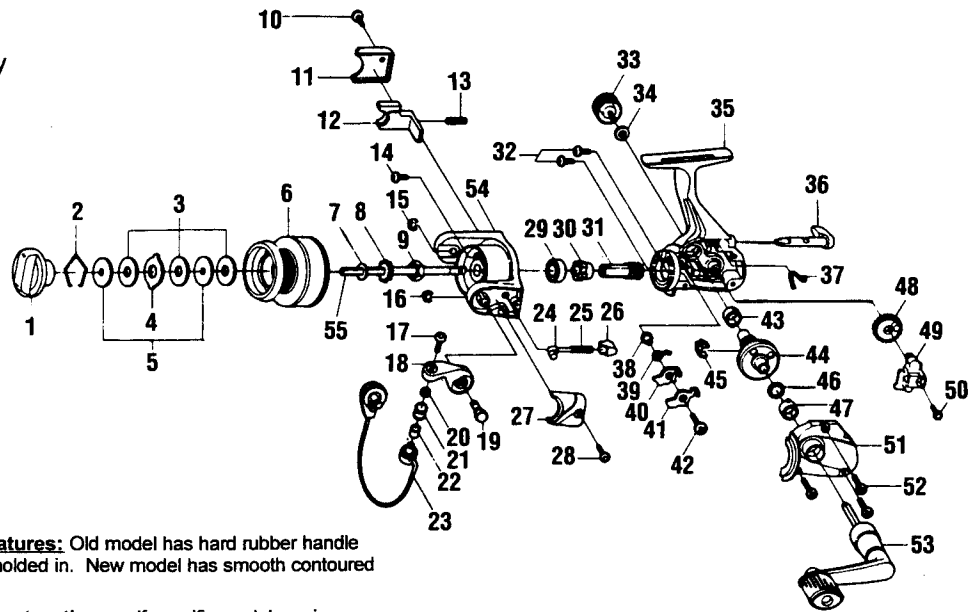
QUANTUM[®] QL1

SPECIFICATIONS:

Ultra Light
125 yds./4 lb. Line Capacity
Front Drag
6.8 oz. Weight
1 Ball Bearing

FEATURES:

Aluminum Long Stroke Spool
Three-way/Selective Anti-Reverse (Off/On/Self Centering)
Lightweight Graphite Body
Coil-Type Bail Spring



WARNING!!!

These parts are not interchangeable with new model

Distinguishing Features: Old model has hard rubber handle knob with grooves molded in. New model has smooth contoured handle knob.

Special Handling Instructions: If specific model version cannot be identified for parts order, send one of each part (for old and new model) and charge for one part.

Key No.	Part No.	Description	Price	Key No.	Part No.	Description	Price
1	GU332-01	Drag Knob Assembly	2.88	29	AQ028-01	Ball Bearing	6.75
2	GU038-01	Drag Retainer	.26	30	GU060-01	Ratchet Gear	2.06
3	GU105-05	Drag Washer "B"	.67	31	GU011-01	Pinion Gear	1.65
4	GU081-01	Drag Washer "A"	.52	32	GU077-01	Bearing Screw	.15
5	GU080-01	Drag Washer "D"	.52	33	GU073-01	Handle Screw Cap	.62
6	XU321-09	Spool Assembly	9.85	34	GU105-01	Handle Cap Washer	.10
7	GU105-06	Spool Adjustment Washer	.36	35	GU001-21	Body	3.00
8	GU037-01	Click Gear	.52	36	GU090-01	Anti Reverse Stopper Lever	1.49
9	GU006-01	Rotor Nut	.31	37	GU089-01	Anti Reverse Lever Spring	.52
10	GU077-02	Kick Lever Cover Screw	.15	38	GU091-01	Anti Reverse Pawl Post	.26
11	GU046-01	Kick Lever Cover	.21	39	GU061-01	Anti Reverse Pawl Spring	.36
12	GU019-01	Kick Lever	.41	40	GU063-01	Anti-Reverse Pawl "A"	.46
13	KQ049-01	Kick Lever Spring	.26	41	GU074-01	Anti-Reverse Pawl "B"	.46
14	GU077-04	Rotor Nut Lock Screw	.15	42	GU077-05	Anti-Reverse Pawl Screw	.15
15	KQ034-01	E-Clip	.15	43	GU027-01	Gear Shaft Bushing	.82
16	KQ034-01	E-Clip	.15	44	GU012-01	Drive Gear	2.88
17	KQ108-01	Line Slider Screw	.31	45	GU086-01	Silent Cam	.41
18	LU007-01	Arm Lever	.77	46	GU105-08	Drive Gear Adj. Washer	.15
19	GU051-02	Arm Lever Pin	.46	47	GU027-01	Body Cover Bushing	.82
20	GU105-07	Line Roller Washer	.15	48	GU053-01	Oscillator Gear	.88
21	MT004-01	Line Roller	1.24	49	GU025-01	Oscillator Slider	.88
22	MT016-02	Line Roller Bushing	.77	50	GU100-01	Main Shaft Screw	.15
23	GU347-02	Bail Assembly	3.66	51	GU023-21	Body Cover	1.65
24	KQ031-01	Arm Lever Spring Pin	.26	52	GU057-01	Body Cover Screw	.15
25	KQ049-03	Arm Lever Spring	.36	53	GU318-30	Handle Assembly	4.20
26	QL020-01	Arm Lever Spring Holder	.31	54	GU015-01	Main Shaft	1.91
27	LU087-01	Arm Lever Spring Cover	.20	55	GU009-15	Rotor	2.60
28	GU077-02	Arm Lever Cover Screw	.15				

MODEL INTRODUCED	1996	EFFECTIVE DATE OF PARTS LIST/DIAGRAM	Oct. 1996	DISCONTINUED	N/A
-------------------------	------	---	-----------	---------------------	-----

Prices subject to change without notice. Prices do not include postage and handling.

PLEASE ORDER BY PART NUMBER Zebco Division Brunswick Corporation, Box 270, Tulsa, OK 74101 USA 918-831-6965

