

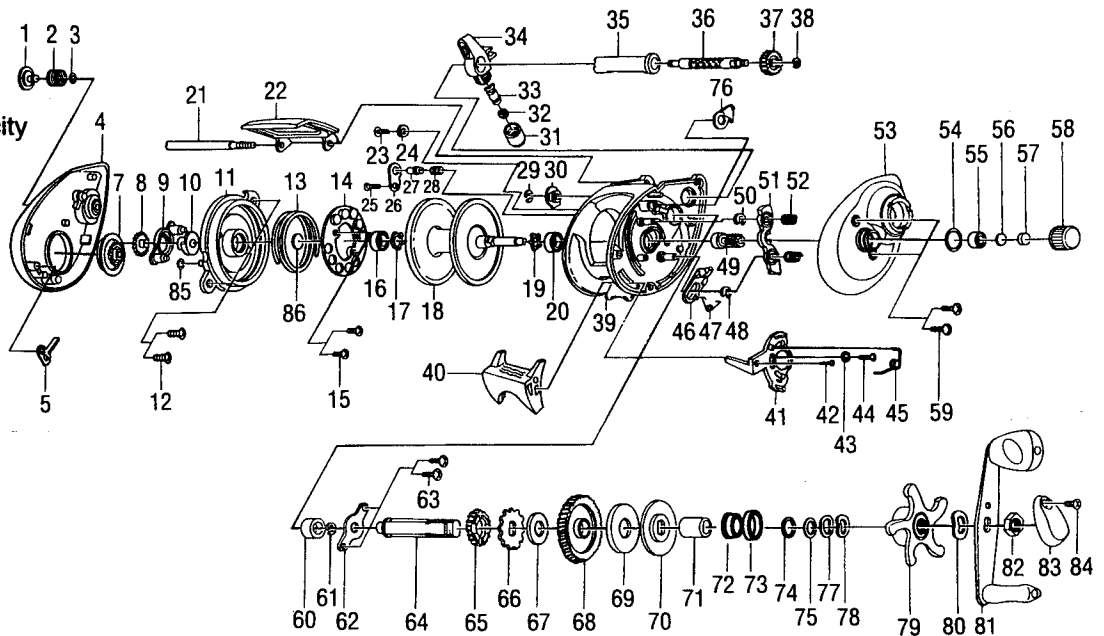
# QUANTUM<sup>™</sup> LITE QL50

## SPECIFICATIONS:

5.1:1 Gear Ratio  
 20.6 Inches per Turn  
 8.4 oz. Weight  
 165 yds./12 lb. Line Capacity

## FEATURES:

1-piece Graphite Frame  
 Brass Magnum Gears  
 Drag Star  
 Magnum Drag System  
 Adjustable Magnetic Cast Control  
 Spool Tension Knob  
 Push Button Side Cover Release  
 Quick Takedown  
 Color: Black



Key No.	Part No.	Description	Price	Key No.	Part No.	Description	Price
1	MV119-01	Side Cover Release Button	2.50	45	MV104-01	Release Slider Spring	.45
2	MV070-01	Side Cover Release Button Spring	.75	46	MV077-01	Kick Lever	1.55
3	QW073-01	Side Cover Release Pin O-Ring	.72	47	MV097-01	Kick Lever Spring	.65
4	MV023-01	Left Side Cover	8.00	48	QW120-01	Kick Lever E-Clip	.26
5	MV108-01	Clicker Spring	1.00	49	ZW311-01	Pinion Gear Assy	10.10
7	MV026-01	Magnet Dial	1.00	50	QW120-01	Pinion Yoke E-Clip	.26
8	EV026-01	Magnet Control Gear	.75	51	MV025-01	Pinion Yoke	1.00
9	MV028-01	Magnet Slide Cam	.75	52	MV040-01	Pinion Yoke Spring	.67
10	DV026-01	Magnet Control Cam	.75	53	MV024-01	Right Side Cover	9.60
11	MV051-01	Spool Cover	2.80	54	QW101-01	Tension Knob O-Ring	.26
12	ZW125-01	Spool Cover Screw	1.00	55	QW117-01	Tension Knob Bushing	.64
13	MV071-01	Slider Cam Spring	.50	56	QW032-01	Spool Tension Washer	.52
14	QW330-01	Magnet Plate Assy	2.88	57	MV082-01	Spool Cushion Washer	.67
15	QW076-01	Magnet Plate Screw	.67	58	MV033-01	Spool Tension Knob	2.50
16	QW017-01	Spool Shaft Bushing (L)	.95	59	QW053-01	Side Cover Screw	.67
17	MV080-01	Bearing Retainer	1.00	60	QW017-01	Crank Shaft Bushing (L)	.21
18	CV321-01	Spool Assy (Graphite)	6.90	61	QW120-01	Crank Shaft Retainer E-Clip	.26
19	MV080-01	Bearing Retainer	1.00	62	BV002-01	Crank Shaft Retainer	.95
20	QW017-01	Spool Shaft Bushing (R)	.21	63	QW107-01	Crank Shaft Retainer Screw	.46
21	ZW061-01	Stabilizer Bar	2.80	64	ZW008-01	Crank Shaft	5.60
22	MV027-01	Front Support	2.50	65	ZW112-01	Oscillate Drive Gear	1.55
23	BV076-01	Side Cover Stopper Collar Screw	.35	66	QW083-01	Trip Ratchet	.36
24	BV088-01	Side Cover Stopper Collar	.85	67	MV111-01	Trip Ratchet Washer	.26
25	ZW125-01	Stop Post Retainer Screw	1.00	68	ZW012-01	Drive Gear	10.90
26	MV056-01	Side Cover Stop Post Retainer	.75	69	QW059-01	Drag Disc	1.70
27	MV095-01	Side Cover Stop Post	1.25	70	QW045-01	Drag "D" Washer	.82
28	MV096-01	Side Cover Stop Post Spring	.50	71	MV052-01	Spacer	1.25
29	NX092-01	Worm Shaft E-Clip	.30	72	MV117-01	Crank Shaft Bushing - Inner	.65
30	QW067-01	Worm Shaft Bushing	.67	73	MV066-01	Crank Shaft Bushing - Outer	.75
31	ZW007-01	Line Guide Carrier Screw	2.85	74	TW035-02	Crank Shaft Washer	.46
32	BV035-01	Line Guide Pawl Washer	.40	75	ZW032-01	Star Drag Washer	1.25
33	ZW006-01	Line Guide Pawl	2.80	76	MV363-01	Anti-Reverse Pawl Assy	2.50
34	MV347-01	Line Guide Carrier Assy	5.70	77	QW046-02	Spring "D" Washer	.98
35	ZW016-01	Worm Shaft Guide	2.00	78	QW046-02	Spring "D" Washer	.98
36	ZW072-01	Worm Shaft	7.20	79	ZW055-01	Star Drag	2.80
37	ZW085-01	Oscillate Pinion Gear	1.75	80	QW054-01	Handle Washer	.72
38	NX090-01	Oscillate Pinion Gear E-Clip	.41	81	WW318-03	Handle Assy	5.00
39	MV001-01	Frame	13.00	82	QW003-01	Handle Nut	.36
40	MV009-01	Thumb Bar	.70	83	QW034-01	Handle Nut Cap	.26
41	MV039-01	Release Slider	3.10	84	QW123-01	Handle Nut Cap Screw	.15
42	ZW053-01	Thumb Bar Screw	1.00	85	NX105-01	Dial Friction Ring	.62
43	SW121-01	Release Slider Guide Washer	.50	86	QW032-04	Spool Tension Shim	.52
44	BV076-01	Release Slider Screw	.35				

MODEL INTRODUCED	1997	EFFECTIVE DATE OF PARTS LIST/DIAGRAM	April 1997	DISCONTINUED	N/A
------------------	------	--------------------------------------	------------	--------------	-----

Prices subject to change without notice. Prices do not include postage and handling.

