

QUANTUM

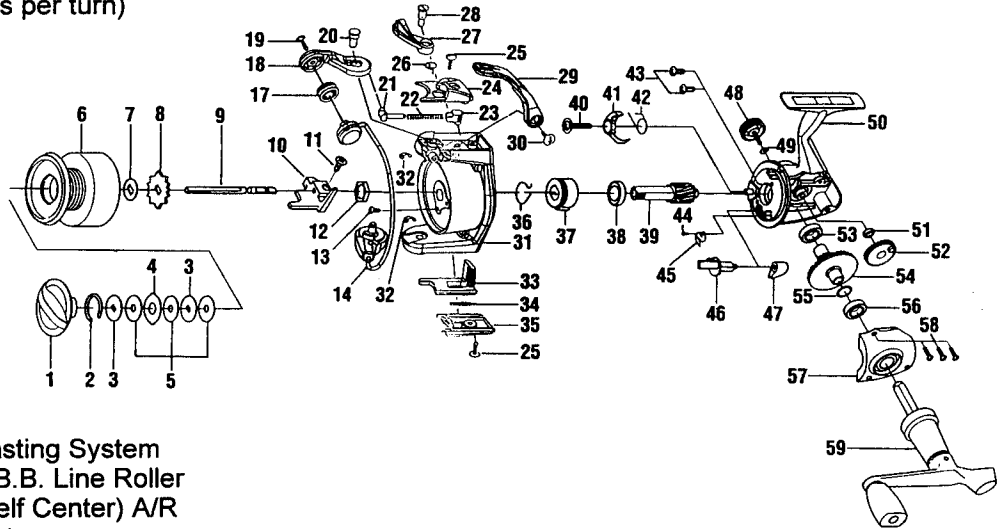
QLX1

SPECIFICATIONS :

Ultra Lt. FW
 125 yds / 4 lb Line Capacity
 5.3:1 Gear Ratio
 22.9" Retrieve Rate (inches per turn)
 8.1 oz.
 5 Ball Bearings

FEATURES :

Front Drag
 Tru-Balanced Rotor
 Balanced Handle
 Snapshot II (Firing Pin) Casting System
 Oversized Twist Reducer B.B. Line Roller
 Selective On/Off (1Stop-Self Center) A/R
 Geared (S-Curve) O/S System
 Aluminum Spool
 Spare Graphite Spool
 Color:



Key No.	Part No. QLX1	Description	Price	Key No.	Part No. QLX1	Description	Price
1	RH332-01	Drag Knob Assy.		32	GH034-01	E-Clip	
2	RH038-01	Spool Retainer		33	RH019-01	Kick Lever	
3	RH080-01	Drag Washer "D"		34	KQ049-01	Kick Lever Spring	
4	RH081-01	Drag Washer "A"		35	RH024-01	Kick Lever Cover	
5	RH033-01	Drag Washer "B"		36	RH119-01	Slider Spring "A"	
6	RH321-01	Spool Assy.		37	RH060-01	Ratchet	
7	XH030-01	Spool Adj. Washer		38	RH028-01	Pinion Ball Bearing	
8	RH037-01	Click Gear		39	RH011-01	Pinion Gear	
9	RH015-01	Main Shaft		40	RH077-01	Stopper Screw	
10	RH025-01	Oscillator Slider		41	RH063-01	Stopper	
11	XH100-01	Main Shaft Screw		42	RH061-01	Stopper Spring	
12	GU006-01	Rotor Nut		43	RH041-01	Bearing Screw	
13	GU077-08	Rotor Nut Lck. Scrw.		44	TH146-01	Stopper Cam Screw	
14	RH347-01	Bail Assy.		45	RH089-01	Stopper Cam Spring	
17	BH004-02	Line Roller		46	RH090-01	Stopper Cam	
18	RH007-01	Arm Lever		47	TH059-01	Stopper Lever	
19	AQ108-01	Bail Screw		48	TH073-01	Handle Cap Screw	
20	TH051-01	Arm Lever Pin		49	TH105-01	Handle Cap Washer	
21	KQ031-01	Bail Spring Shaft		50	RH001-01	Body Assy.	
22	KQ049-05	Bail Spring		51	TH158-01	O/S Gear B.B.	
23	QL020-01	Bail Spring Holder		52	RH053-01	Oscillator Gear	
24	RH087-01	Bail Spring Cover		53	BH027-01	Body B.B.	
25	GU077-03	Cover Screw		54	RH012-01	Drive Gear	
26	NL096-01	Trigger Spring		55	GU105-08	Drive Gear Adj. Wshr.	
27	RH398-01	Trigger Link Assy.		56	BH027-01	Body Cvr. B.B.	
28	TH113-01	Trigger Link Screw		57	RH023-01	Body Cover	
29	RH112-01	Trigger		58	GU057-02	Body Cover Screw	
30	GU077-05	Trigger Screw		59	RH318-01	Handle Assy.	
31	RH009-01	Rotor					

MODEL	EFFECTIVE DATE OF
INTRODUCED : 1998	PARTS LIST/DIAGRAM: Sept. '98
DISCONTINUED : N/A	

Zebco, P.O. Box 270, Tulsa, Ok. 74101; 918-831-6965 Phone or 800-FIXREEL (349-7335) FAX
 PLEASE ORDER BY PART NUMBER Prices subject to change without notice.

