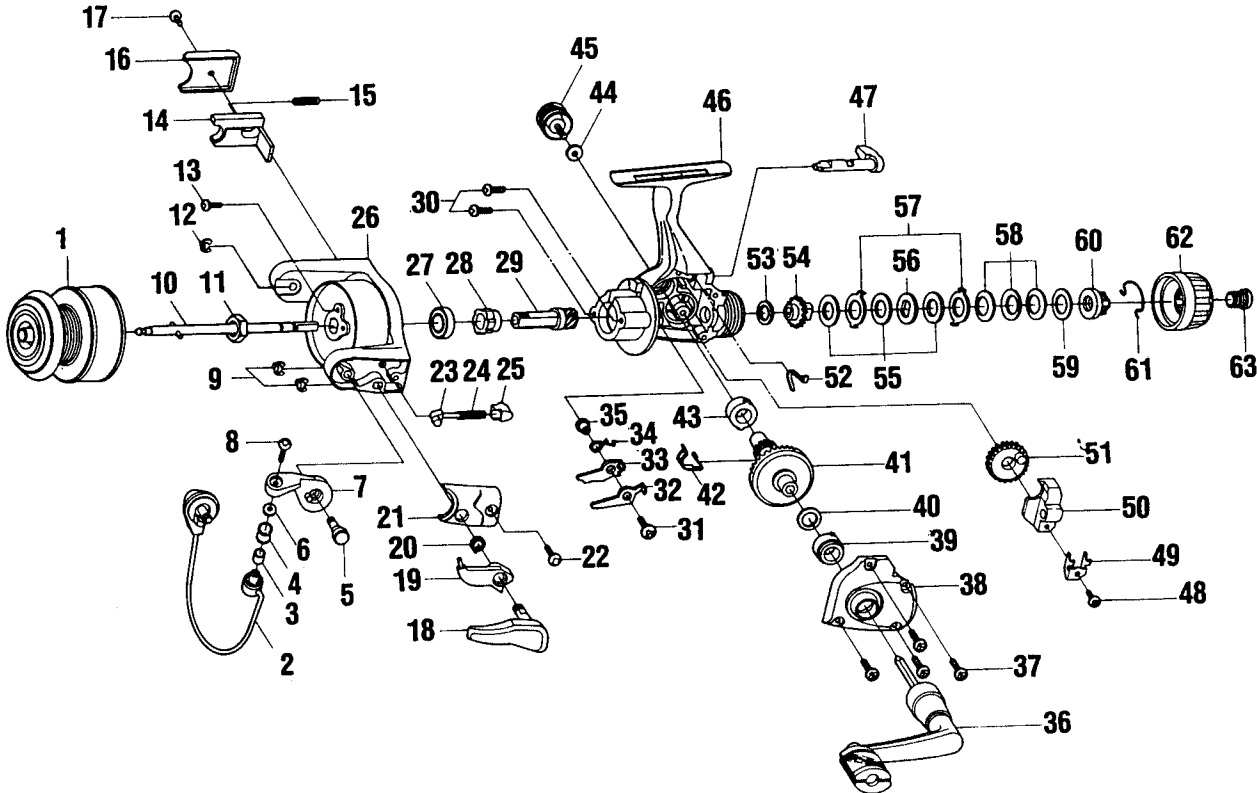


# QUANTUM.

# QV4



## QV4 PART LIST

KEY NO.	PART NUMBER	PART DESCRIPTION	PRICE	KEY NO.	PART NUMBER	PART DESCRIPTION	PRICE
1	JU321-31	SPOOL ASSEMBLY	8.85	33	JU074-01	ANTI-REVERSE PAWL "B"	0.95
2	GU347-23	BAIL ASSEMBLY	5.46	34	JU061-01	ANTI-REVERSE PAWL SPRING	1.00
4	EQ004-01	LINE ROLLER BALL BEARING	7.73	35	GU091-02	ANTI-REVERSE PAWL POST	0.70
5	GU051-05	ARM LEVER PIN	1.00	36	NU318-05	HANDLE ASSEMBLY	5.50
6	EQ017-01	LINE ROLLER WASHER	1.49	37	JU057-01	BODY COVER SCREW	0.60
7	HU007-01	ARM LEVER	1.65	38	KU023-10	BODY COVER	3.75
8	KQ108-01	LINE SLIDER SCREW	0.30	39	AQ028-02	GEAR SHAFT BEARING	6.10
9	KQ034-01	E-CLIP	0.15	40	GU105-13	ADJUSTMENT WASHER	0.62
10	JU315-03	MAIN SHAFT ASSEMBLY	1.95	41	JU012-01	DRIVE GEAR	3.35
11	GU006-02	ROTOR NUT	0.80	42	JU086-01	SILENT CAM	1.10
12	KQ034-01	E-CLIP	0.15	43	AQ028-02	GEAR SHAFT BEARING	6.10
13	GU077-04	ROTOR NUT LOCK SCREW	0.15	44	GU105-01	HANDLE SCREW WASHER	0.10
14	KU019-01	KICK LEVER	0.15	45	GU073-01	HANDLE SCREW	0.60
15	KQ049-06	KICK LEVER SPRING	0.25	46	KU001-10	BODY	4.05
16	KU046-01	KICK LEVER COVER	0.80	47	GU090-01	ANTI-REVERSE LEVER	1.45
17	GU077-02	KICK LEVER COVER SCREW	0.15	48	JU100-01	OSCILLATOR RETAINER SCREW	0.60
18	GU115-02	TRIGGER ASSEMBLY	3.50	49	JU078-01	OSCILLATOR SLIDE RETAINER	0.30
19	GU097-02	TRIGGER LINK ASSEMBLY	1.65	50	KU025-01	OSCILLATOR SLIDER	1.95
20	NL096-01	TRIGGER SPRING	0.80	51	KU053-01	OSCILLATOR GEAR	1.95
21	KU087-01	ARM LEVER SPRING COVER	0.80	52	GU089-01	ANTI-REVERSE LEVER SPRING	0.50
22	GU077-02	ARM LEVER COVER SCREW	0.15	53	GU105-32	DRAG FRICTION WASHER	0.77
23	QL031-01	ARM LEVER SPRING PIN	0.75	54	KU075-01	DRAG CLICK GEAR	1.40
24	KQ049-02	ARM LEVER SPRING	0.85	55	GU105-33	DRAG WASHER "B"	0.88
25	QL020-01	ARM LEVER SPRING HOLDER	0.30	56	JU080-01	DRAG WASHER "D"	1.00
26	KJ009-13	ROTOR	4.05	57	JU081-01	DRAG WASHER "A"	1.00
27	AQ028-06	BALL BEARING	6.10	58	JU043-01	DRAG SPRING	1.30
28	JU060-01	ANTI-REVERSE RATCHET	2.35	59	GU105-19	DRAG WASHER	0.93
29	JU011-01	PINION GEAR	2.30	60	JU066-01	DRAG NUT	1.25
30	JU077-01	BEARING SCREW	0.60	61	JU083-01	DRAG CLICK SPRING	1.85
31	GU077-05	ANTI-REVERSE PAWL SCREW	0.15	62	JU032-01	DRAG KNOB	1.50
32	JU063-01	ANTI-REVERSE PAWL "A"	0.95	63	JU101-01	DRAG KNOB SCREW	1.25

Prices subject to change without notice. Prices do not include postage and handling.

**PLEASE ORDER BY PART NUMBER**

Rev 9/95

Zebco Division of Brunswick Corporation, Box 270, Tulsa, OK. 74101 USA 918-831-6989

