



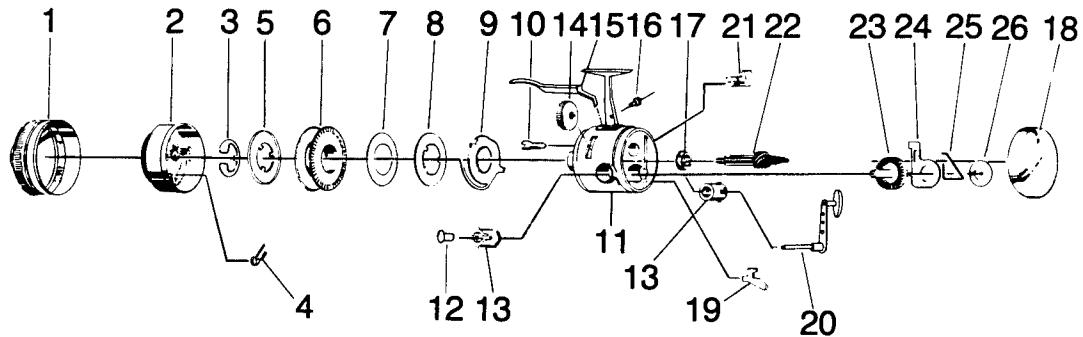
UL4E, UL4, UL2, RL2, 11TL, 11TS

SPECIFICATIONS:

Application: Ultra Light FW
 Line Capacity: 60 yds / 4 lb
 Line Capacity: 40 yds / 6 lb (RL2 only)
 Gear Ratio: 4.4:1
 Weight: 5 oz.

FEATURES:

Wide Range Star Drag
 Helical Gears
 Silent On/Off Anti-Reverse
 Ball Bearing Drive (UL4E, UL4, 11TL)
 Color:
 UL4E - Gold Covers
 UL4, UL2, RL2 - Silver Covers w/ Grey Body
 RL2 - Silver Covers w/ Black Body
 11TL - Silver Covers w/ DK Green Body
 11TS - Black Covers w/ Black Body



Key No.	Description	Price	Part No.	Part No.	Part No.	Part No.	Part No.	Part No.
			UL4E	11TL	11TS	UL4	UL2	RL2
1	Front Cover	2.94	BE324-09	BE324-10	BE321-12	BE324-06	BE324-06	BE324-07
2	Spinnerhead Asy.	5.02	BE310-01	←	←	←	←	←
3	Spool Clip	0.35	XZ034-01	←	←	←	←	←
4	Pick-up Pin Spring	0.33	AJ049-01	←	←	←	←	←
5	Spool Lip	1.31	BE036-01	←	←	←	←	←
6	Wnd Spool 4# H.P. Line	4.82	BE321-01	←	←	←	←	N/A
6	Wnd Spool 6# H.P. Line	4.82	N/A	N/A	N/A	N/A	N/A	BE321-02
6	Spool	1.82	BE021-01	←	←	←	←	←
7	Flat Washer	0.40	BJ108-01	←	←	←	←	←
8	Spool Washer	1.01	BJ040-01	←	←	←	←	←
9	Clutch Ring	1.44	BJ027-01	←	←	←	←	←
10	Clutch Screw	0.70	BJ054-02	←	←	←	←	←
11	Body	7.16	BJ301-09	BJ301-06	BJ301-0	BJ301-09	BJ301-09	BJ301-09
12	Crank Rod Nut	0.84	BJ069-01	←	←	←	←	←
13	Crank Bushing	1.31	BJ026-01	←	←	←	←	←
14	Clutch Wheel	0.91	BJ032-01	←	←	←	←	←
15	Finger Brake	1.70	BJ050-02	BJ050-03	BJ050-01	BJ050-02	BJ050-02	BJ050-02
16	Finger Brake Screw	0.33	BJ126-01	←	←	←	←	←
17	Center Shaft Bearing	1.65	KE317-01	←	N/A	KE317-01	N/A	N/A
17	Center Shaft Bushing	0.91	N/A	N/A	BE017-01	N/A	BE017-01	←
18	Back Cover	3.06	BJ023-05	BJ023-04	BJ023-01	←	←	←
19	Anti-Reverse Pawl	0.97	BJ060-01	←	←	←	←	←
20	Handle Asy.	2.68	BJ318-09	BJ318-07	BJ318-05	←	←	←
21	Anti-Reverse Actuator	1.16	BE002-01	BE002-02	BE002-01	←	←	←
22	Center Shaft Asy.	4.57	BE315-01	←	←	←	←	←
23	Crank Gear	2.21	BJ012-01	←	←	←	←	←
24	Anti-Reverse Drag	0.91	BJ014-01	←	←	←	←	←
25	Anti-Reverse Pawl Spring	0.66	BE061-01	←	←	←	←	←
26	Flat Washer	0.33	BJ106-01	←	←	←	←	←

MODEL INTRODUCED: UL4E, 11TL, 11TS - '97	EFFECTIVE DATE OF PARTS LIST/DIAGRAM: August 1998	DISCONTINUED: UL4, UL2, RL2 - '97
---	--	--------------------------------------

