

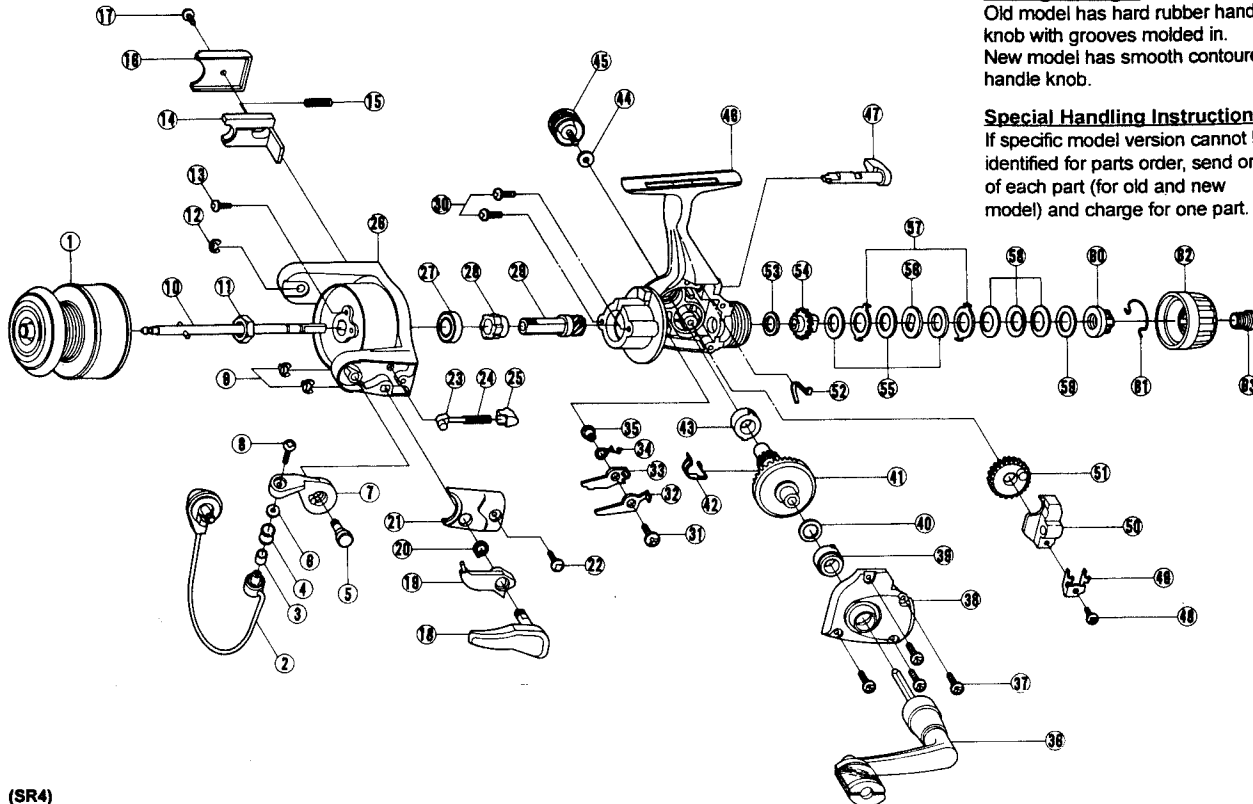
QUANTUM[®] SR 4

WARNING!!!

These parts are not interchangeable with new model

Distinguishing Features:
Old model has hard rubber handle knob with grooves molded in.
New model has smooth contoured handle knob.

Special Handling Instructions:
If specific model version cannot be identified for parts order, send one of each part (for old and new model) and charge for one part.



(SR4)

KEY NO.	PART NO.	DESCRIPTION	PRICE	KEY NO.	PART NO.	DESCRIPTION	PRICE
1	JU321-23	SPOOL ASSY.	11.25	33	JU074-01	ANTI-REVERSE PAWL 'B' ON	.95
2	GU347-07	BAIL ASSY.	4.75	34	JU061-01	ANTI-REVERSE PAWL SPRING	1.00
3	MT016-02	LINE ROLLER BUSHING	.75	35	GU091-02	ANTI-REVERSE PAWL POST	.70
4	MT004-01	LINE ROLLER	1.20	36	GU318-26	HANDLE ASSY.	5.65
5	GU051-05	ARM LEVER PIN	1.00	37	JU057-01	BODY COVER SCREW	.60
6	GU105-07	LINE ROLLER WASHER	.15	38	KU023-07	BODY COVER	2.60
7	JU007-01	ARM LEVER	1.65	39	JU027-01	GEAR SHAFT BUSHING	1.55
8	KQ108-01	LINE SLIDER SCREW	.30	40	GU105-13	ADJUSTMENT WASHER	.62
9	KQ034-01	E-CLIP	.15	41	JU012-01	DRIVE GEAR	3.35
10	JU315-03	MAIN SHAFT ASSY.	1.95	42	JU086-01	SILENT CAM	1.10
11	GU006-02	ROTOR NUT	.80	43	JU027-01	GEAR SHAFT BUSHING	1.55
12	KQ034-01	E-CLIP	.15	44	GU105-01	HANDLE SCREW WASHER	.10
13	GU077-04	ROTOR NUT LOCK SCREW	.15	45	GU073-01	HANDLE SCREW	.60
14	KU019-01	KICK LEVER	1.10	46	KU001-07	BODY	4.05
15	KQ049-01	KICK LEVER SPRING	.25	47	GU090-01	ANTI-REVERSE LEVER	1.45
16	KU046-01	KICK LEVER COVER	.80	48	JU100-02	OSCILLATOR RETAINER SCREW	.60
17	GU077-02	KICK LEVER COVER SCREW	.15	49	JU078-01	OSCILLATOR SLIDE RETAINER	.30
18	GU115-02	TRIGGER ASSY.	3.50	50	KU025-01	OSCILLATOR SLIDER	1.95
19	GU097-02	TRIGGER LINK ASSY.	1.85	51	KU053-01	OSCILLATOR GEAR	1.95
20	NL098-01	TRIGGER SPRING	.80	52	GU089-01	ANTI-REVERSE LEVER SPRING	.50
21	KU087-01	ARM LEVER SPRING COVER	.80	53	GU105-17	DRAG FRICTION WASHER 'A'	.77
22	GU077-02	ARM LEVER COVER SCREW	.15	54	KU075-01	DRAG CLICK GEAR	1.40
23	QL031-01	ARM LEVER SPRING PIN	.75	55	GU105-18	DRAG DISC	.88
24	KQ049-02	ARM LEVER SPRING	.85	56	JU080-01	DRAG WASHER 'D'	1.00
25	QL020-01	ARM LEVER SPRING HOLDER	.30	57	JU081-01	DRAG WASHER KEYED	1.00
26	KU009-07	ROTOR	4.05	58	JU043-01	DRAG SPRING	1.30
27	AQ028-06	BALL BEARING	1.10	59	GU105-19	DRAG WASHER	.93
28	JU060-01	ANTI-REVERSE RATCHET	2.35	60	JU066-01	DRAG NUT	1.25
29	JU011-01	PINION GEAR	2.30	61	JU083-01	DRAG CLICK SPRING	1.85
30	GU077-07	BEARING SCREW	.60	62	JU032-01	DRAG KNOB	1.50
31	GU077-05	ANTI-REVERSE PAWL SCREW	.15	63	JU101-01	DRAG KNOB SCREW	1.25
32	JU063-01	ANTI-REVERSE PAWL 'A' CNTR	.95				

Prices subject to change without notice. Prices do not include postage and handling.

PLEASE ORDER BY PART NUMBER

Rev. 6/94

Zebco Division Brunswick Corporation, Box 270, Tulsa, OK 74101 USA 918-836-5581

