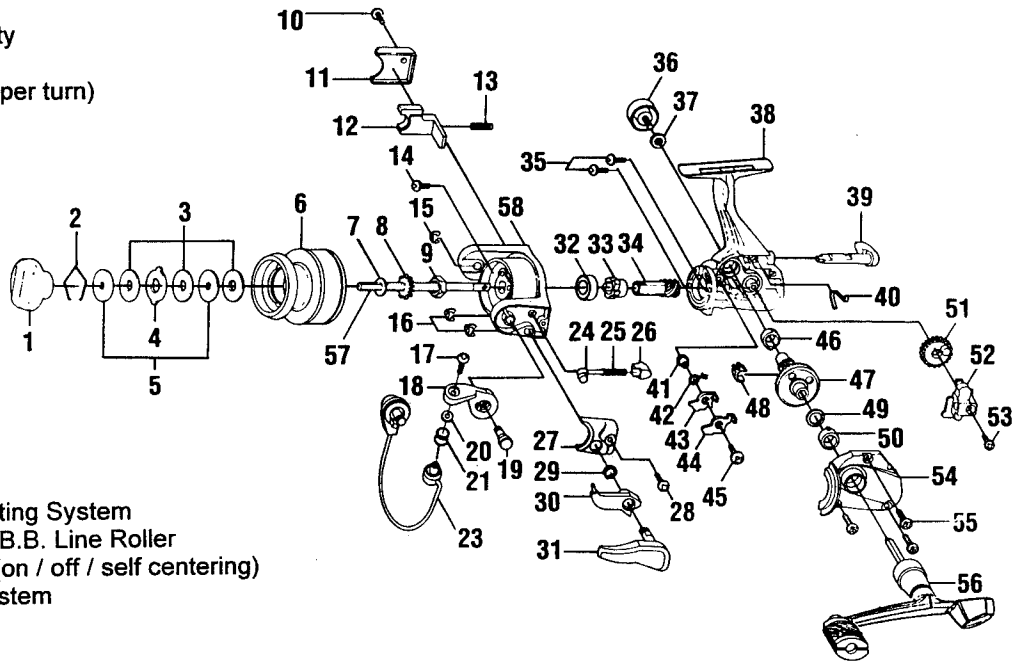


QUANTUM.

SS1D

SPECIFICATIONS :

Ultra Lt. FW
 125 yds / 4 lb Line Capacity
 4.4:1 Gear Ratio
 19" Retrieve Rate (inches per turn)
 7.6 oz.
 1 Ball Bearings



FEATURES :

Front Drag
 Balanced Handle
 Snapshot (Firing Pin) Casting System
 Oversized Twist Reducer B.B. Line Roller
 Three Way Anti-Reverse (on / off / self centering)
 Geared (S-Curve) O/S System
 Aluminum Spool
 Color:

Key No.	Part No. SS1D	Description	Price	Key No.	Part No. SS1D	Description	Price
1	GU332-10	DRAG KNOB ASSEMBLY	2.97	30	GU398-02	TRIGGER LINK ASSEMBLY	1.75
2	GU038-01	DRAG RETAINER	0.27	31	GU312-02	TRIGGER ASSEMBLY	3.72
3	GU105-05	DRAG WASHER "B"	0.69	32	AQ028-01	BALL BEARING	6.95
4	GU081-01	DRAG WASHER "A"	0.54	33	HU060-01	RATCHET GEAR	2.12
5	GU080-01	DRAG WASHER "D"	0.54	34	GU011-01	PINION GEAR	1.70
6	XU321-19	SPOOL ASSEMBLY	5.15	35	GU077-01	BEARING SCREW	0.15
7	GU105-06	SPOOL ADJUSTMENT WASHER	0.37	36	XU073-03	HANDLE SCREW CAP	0.64
8	GU037-01	CLICK GEAR	0.54	37	GU105-01	HANDLE CAP WASHER	0.10
9	GU006-01	ROTOR NUT	0.32	38	XU001-08	BODY	3.18
10	GU077-03	KICK LEVER COVER SCREW	0.15	39	KH090-03	ANTI REVERSE STOPPER LEVER	1.49
11	GU046-07	KICK LEVER COVER	0.22	40	GU089-01	ANTI REVERSE LEVER SPRING	0.54
12	GU0,9-01	KICK LEVER	0.42	41	GU091-01	ANTI REVERSE PAWL POST	0.27
13	KQ049-01	KICK LEVER SPRING	0.27	42	GU061-01	ANTI REVERSE PAWL SPRING	0.37
14	GU077-08	ROTOR NUT LOCK SCREW	0.15	43	GU063-01	ANTI-REVERSE PAWL "A"	0.47
15	KQ034-01	E-CLIP	0.15	44	GU074-01	ANTI-REVERSE PAWL "B"	0.47
16	KQ034-01	E-CLIP	0.15	45	GU077-05	ANTI-REVERSE PAWL SCREW	0.15
17	AQ108-03	LINE SLIDER SCREW	0.32	46	GU027-01	GEAR SHAFT BUSHING	0.84
18	GU007-62	ARM LEVER	0.46	47	GU012-01	DRIVE GEAR	2.97
19	LU051-02	ARM LEVER PIN	1.06	48	GU086-01	SILENT CAM	0.42
20	GU105-07	LINE ROLLER WASHER	0.15	49	GU105-08	DRIVE GEAR ADJ. WASHER	0.15
21	NH004-01	LINE ROLLER	1.24	50	GU027-01	GEAR SHAFT BUSHING	0.84
22	MT016-01	LINE ROLLER BUSHING	0.77	51	GU053-01	OSCILLATOR GEAR	0.91
23	GU347-62	BAIL ASSEMBLY	5.74	52	GU025-01	OSCILLATOR SLIDER	0.91
24	KQ031-01	ARM LEVER SPRING SHAFT	0.27	53	GU100-01	MAIN SHAFT SCREW	0.15
25	KQ049-03	ARM LEVER SPRING	0.32	54	XU023-08	BODY COVER	1.75
26	QL020-01	ARM LEVER SPRING HOLDER	0.32	55	GU057-02	BODY COVER SCREW	0.81
27	GU087-62	ARM LEVER SPRING COVER	0.22	56	XU318-04	HANDLE ASSEMBLY	6.78
28	GU077-03	ARM LEVER COVER SCREW	0.15	57	GU015-01	MAIN SHAFT	1.91
29	NL096-01	TRIGGER SPRING	0.84	58	GU009-09	ROTOR	2.76

MODEL INTRODUCED : 1998	EFFECTIVE DATE OF PARTS LIST/DIAGRAM: Nov. '98	DISCONTINUED : N/A
-------------------------	--	--------------------

Zebco, P.O. Box 270, Tulsa, Ok. 74101; 918-831-6965 Phone or 800-FIXREEL (349-7335) FAX
 PLEASE ORDER BY PART NUMBER Prices subject to change without notice.

