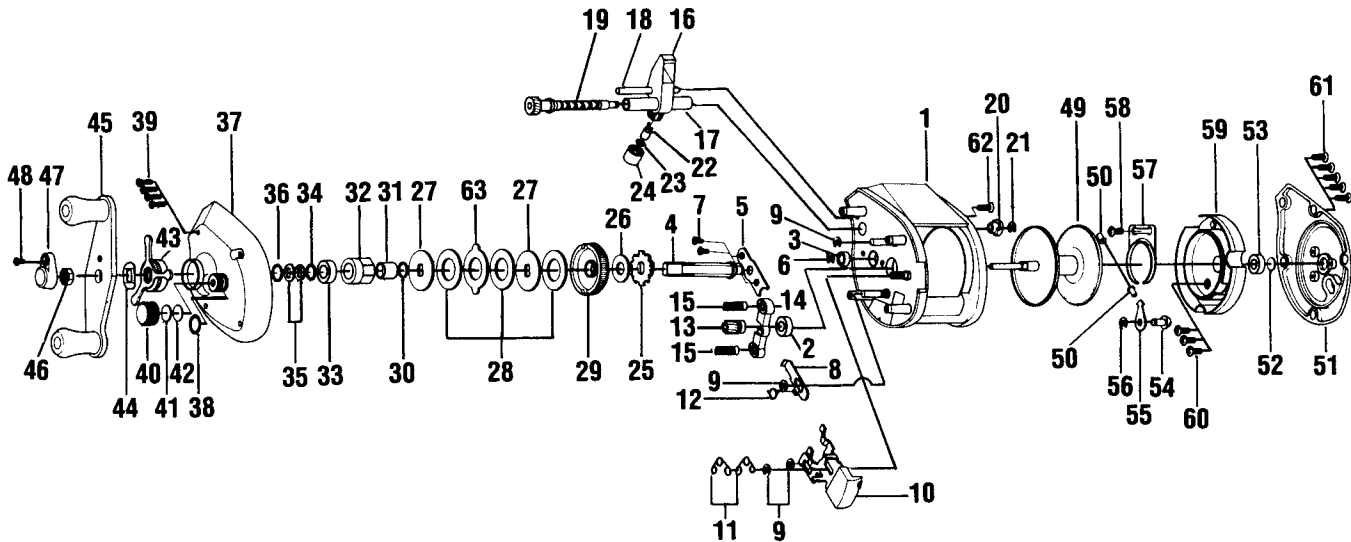


QUANTUM[®] SS201



Key No.	Part No.	Description	Price	Key No.	Part No.	Description	Price
1	CW301-21	Frame Assy	40.99	33	TW058-01	Bearing - Crank Shaft	7.21
2	CW017-01	Bearing - Spool Shaft	7.52	34	UW035-01	Washer - Crank Shaft Bearing	.26
3	QW017-01	Bushing - Crank Shaft	.21	35	NX046-01	Spring "D" Washer	.26
4	CW008-02	Crank Shaft	3.71	36	CW035-01	Washer - Star Drag	.26
5	CW002-02	Retainer - Crank Shaft	.41	37	CW323-21	Left Side Cover Assy	10.20
6	QW120-01	E-Ring - Crank Shaft	.26	38	QW101-01	O-Ring - Tension Knob	.26
7	TW107-01	Screw - Crank Shaft Retainer	.10	39	QW053-05	Screw - Right Side Cover	.26
8	QW077-02	Kick Lever	.31	40	CW033-01	Tension Knob	1.44
9	QW120-01	E-Ring - Release Slider	.26	41	NX082-01	Cushion - Washer Tension Knob	.26
10	CW339-21	Release Slider Assy	1.85	42	NX032-02	Washer - Tension Knob	.26
11	CW104-01	Spring - Release Slider	.21	43	CW355-02	Star Drag Assy	4.38
12	CW097-21	Spring - Kick Lever	.26	44	NX054-01	Handle Washer	.26
13	CW311-02	Pinion Gear	3.30	45	CW318-01	Handle Assy	4.89
14	CW025-21	Pinion Yoke	.26	46	QW003-02	Handle Nut	.36
15	QW040-01	Spring - Pinion Yoke	.67	47	QW034-01	Handle Nut Cap	.26
16	CW347-01	Carrier Assy	1.96	48	QW123-03	Screw - Handle Nut Cap	.10
17	CW016-01	Worm Shaft Guide	.31	49	CW321-02	Spool Assy	14.85
18	CW061-01	Carrier Guide	.72	50	CW044-01	Brake Shoe	.26
19	CW372-02	Worm Shaft Assy	6.13	51	CW024-21	Left Side Cover	5.15
20	CW067-01	Worm Shaft Bush (L)	.26	52	NX038-01	Spool Shaft Washer	.26
21	QW120-01	E-Ring - Worm Shaft	.26	53	CW106-01	Bush - Spool Shaft	.62
22	NX006-01	Line Guide Pawl	.98	54	CW109-01	Clicker Level	.52
23	QW035-00	Washer - Line Guide Pawl	.26	55	CW114-01	Clicker Pawl	.21
24	NX007-01	Line Guide Carrier Screw	.26	56	QW120-01	E-Ring - Clicker Pawl	.26
25	QW083-01	Trip Ratchet	.36	57	CW110-01	Clicker Spring	.93
26	QW111-01	Washer - Ratchet	.26	58	CW107-01	Scrw - Clicker Spring	.26
27	CW045-01	Drag Washer	.36	59	CW351-01	Spool Cover Assy	9.27
28	WW059-01	Drag Disc	1.13	60	QW076-02	Screw - Spool Cover	.21
29	CW012-02	Drive Gear	7.52	61	QW053-05	Screw - Left Side Cover	.26
30	CW111-01	Washer - Clutch Sleeve	.26	62	QW053-03	Screw - Carrier Guide	.21
31	CW052-02	Sleeve - One Way Clutch	2.88	63	CW048-01	Drag Key Washer	.85
32	UQ063-02	One Way Clutch	9.27				

Prices subject to change without notice. Prices do not include postage and handling.

PLEASE ORDER BY PART NUMBER

Rev. 6/95

Zebco Division Brunswick Corporation, Box 270, Tulsa, OK 74101 USA 918-836-5581

