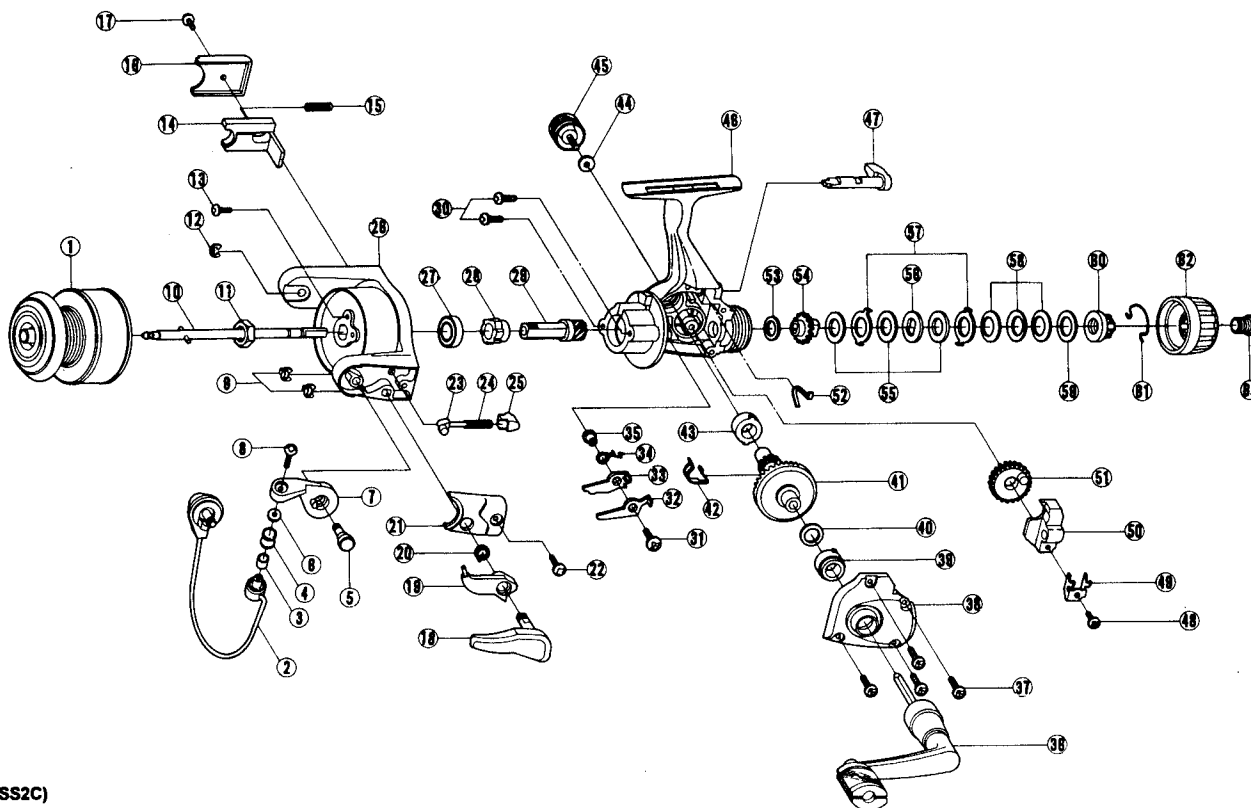


# QUANTUM<sup>®</sup> SS2C



(SS2C)

KEY NO.	PART NO.	DESCRIPTION	PRICE	KEY NO.	PART NO.	DESCRIPTION	PRICE
1	JU321-11	SPOOL ASSY.	8.00	33	GU074-01	ANTI-REVERSE PAWL 'B' ON	.45
2	GU347-11	BAIL ASSY.	5.60	34	GU061-01	ANTI-REVERSE PAWL SPRING	.35
3	MT016-02	LINE ROLLER BUSHING	.75	35	GU091-01	ANTI-REVERSE PAWL POST	.25
4	MT004-01	LINE ROLLER	1.20	36	GU318-19	HANDLE ASSY.	4.70
5	GU057-08	ARM LEVER PIN	.72	37	GU057-02	BODY COVER SCREW	.77
6	GU105-07	LINE ROLLER WASHER	.15	38	HU023-05	BODY COVER	3.10
7	JU007-02	ARM LEVER	1.65	39	GU027-01	BODY COVER BUSHING	.80
8	KQ108-03	LINE SLIDER SCREW	.85	40	GU105-08	ADJUSTMENT WASHER	.15
9	KQ034-01	E-CLIP	.15	41	GU012-01	DRIVE GEAR	2.80
10	JU315-02	MAIN SHAFT ASSY.	1.00	42	GU088-01	SILENT CAM	.40
11	GU008-01	ROTOR NUT	.30	43	GU027-01	GEAR SHAFT BUSHING	.80
12	KQ034-01	E-CLIP	.15	44	GU105-01	HANDLE SCREW WASHER	.10
13	GU077-01	ROTOR NUT LOCK SCREW	.15	45	GU073-05	HANDLE SCREW	1.10
14	HU019-01	KICK LEVER	.50	46	HU001-05	BODY	3.90
15	KQ049-04	KICK LEVER SPRING	.30	47	GU090-03	ANTI-REVERSE LEVER	2.30
16	HU048-02	KICK LEVER COVER	.70	48	JU100-01	OSCILLATOR RETAINER SCREW	.25
17	GU077-03	KICK LEVER COVER SCREW	.60	49	HU078-01	OSCILLATOR SLIDE RETAINER	.25
18	GU115-04	TRIGGER ASSY.	3.50	50	HU025-01	OSCILLATOR SLIDER	1.00
19	GU097-04	TRIGGER LINK ASSY.	1.65	51	HU053-01	OSCILLATOR GEAR	1.00
20	NL096-01	TRIGGER SPRING	.80	52	GU089-01	ANTI-REVERSE LEVER SPRING	.50
21	HU087-02	ARM LEVER SPRING COVER	.65	53	GU105-22	DRAG FRICTION WASHER 'A'	.88
22	GU077-03	ARM LEVER COVER SCREW	.60	54	HU075-01	DRAG CLICK GEAR	.60
23	NL031-01	ARM LEVER SPRING PIN	.25	55	GU105-23	DRAG WASHER 'B'	.88
24	KQ049-03	ARM LEVER SPRING	.35	56	HU080-01	DRAG WASHER 'D'	.50
25	QL020-01	ARM LEVER SPRING HOLDER	.30	57	HU081-01	DRAG WASHER KEYED	.50
26	HU009-05	ROTOR	3.35	58	HU043-01	DRAG SPRING	.65
27	AQ028-01	BALL BEARING	6.55	59	GU105-24	DRAG WASHER	.88
28	PL060-01	ANTI-REVERSE RATCHET	2.00	60	HU066-01	DRAG NUT	.60
29	GU011-02	PINION	1.95	61	HU070-01	DRAG RETAINER CLIP	1.10
30	GU077-01	BEARING SCREW	.15	62	HU032-03	DRAG KNOB	1.40
31	GU077-05	ANTI-REVERSE PAWL SCREW	.15	63	HU101-02	DRAG KNOB SCREW	1.15
32	GU063-01	ANTI-REVERSE PAWL 'A' CNTR	.45				

Prices subject to change without notice. Prices do not include postage and handling.

**PLEASE ORDER BY PART NUMBER**

Rev. 6/94

Zebco Division Brunswick Corporation, Box 270, Tulsa, OK 74101 USA 918-836-5581

