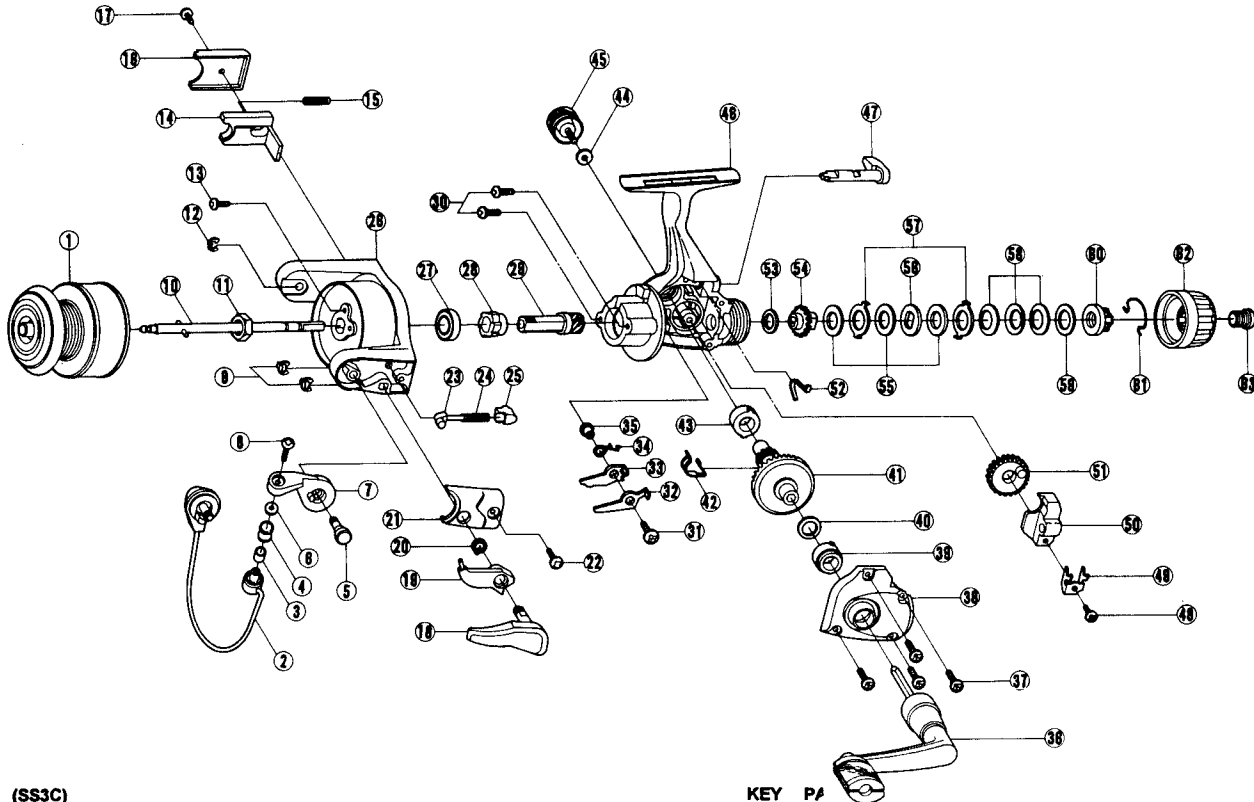


# QUANTUM® SS3C



(SS3C)

KEY NO.	PART NO.	DESCRIPTION	PRICE
1	JU321-16	SPOOL ASSEMBLY	8.50
2	GU347-12C	BAIL ASSEMBLY	5.50
3	MT016-02	LINE ROLLER BUSHING	.75
4	MT004-01	LINE ROLLER	1.20
5	GU051-08	ARM LEVER PIN	1.00
6	GU105-07	LINE ROLLER WASHER	.15
7	JU007-02	ARM LEVER	1.65
8	KQ108-03	LINE SLIDER SCREW	.85
9	KQ034-01	E-CLIP	.15
10	JU315-01	MAIN SHAFT ASSEMBLY	1.75
11	GU006-02	ROTOR NUT	.80
12	KQ034-01	E-CLIP	.15
13	GU077-04	ROTOR NUT LOCK SCREW	.15
14	JU019-01	KICK LEVER	1.00
15	KQ049-01	KICK LEVER SPRING	.25
16	JU046-02	KICK LEVER COVER	.80
17	GU077-03	KICK LEVER COVER SCREW	.60
18	GU115-04	TRIGGER ASSEMBLY	3.50
19	GU097-04	TRIGGER LINK ASSEMBLY	1.65
20	NL096-01	TRIGGER SPRING	.80
21	GU087-02	ARM LEVER SPRING COVER	.65
22	GU077-03	ARM LEVER COVER SCREW	.60
23	QL031-01	ARM LEVER SPRING PIN	.75
24	KQ049-02A	ARM LEVER SPRING	.85
25	QL020-01	ARM LEVER SPRING HOLDER	.30
26	JU009-05	ROTOR	3.70
27	AQ028-06	BALL BEARING	6.10
28	JU060-01	ANTIREVERSE RATCHET	2.35
29	JU011-01	PINION GEAR	2.30
30	JU077-01	BEARING SCREW	.60
31	GU077-05	ANTIREVERSE PAWL SCREW	.15
32	JU063-01	ANTIREVERSE PAWL "A" CNTR	.95

KEY NO.	PART NO.	DESCRIPTION	PRICE
33	JU074-01	ANTIREVERSE PAWL "B" ON	.95
34	JU061-01	ANTIREVERSE PAWL SPRING	1.00
35	GU091-02	ANTIREVERSE PAWL POST	.70
36	GU318-21	HANDLE ASSEMBLY	5.15
37	JU057-02	BODY COVER SCREW	.40
38	JU023-05	BODY COVER	2.60
39	JU027-01	GEAR SHAFT BUSHING	1.55
40	GU105-13	ADJUSTMENT WASHER	.62
41	JU012-01B	DRIVER GEAR	3.35
42	JU086-01	SILENT CAM	1.10
43	JU027-01	GEAR SHAFT BUSHING	1.55
44	GU105-01	HANDLE SCREW WASHER	.10
45	GU073-05	HANDLE SCREW	1.10
46	JU001-05	BODY	10.05
47	GU090-03	ANTIREVERSE LEVER	2.30
48	JU100-01	OSCILLATOR RETAINER SCREW	.25
49	JU078-01	OSCILLATOR SLIDE RETAINER	.30
50	JU025-01	OSCILLATOR SLIDER	1.75
51	JU053-01	OSCILLATOR GEAR	1.75
52	GU089-01	ANTIREVERSE LEVER SPRING	.50
53	GU105-17	DRAG FRICTION WASHER "A"	.77
54	JU075-01	DRAG CLICK GEAR	1.25
55	GU105-18	DRAG DISC	.88
56	JU080-01	DRAG WASHER "D"	1.00
57	JU081-01	DRAG WASHER KEYED	1.00
58	JU043-01	DRAG SPRING	1.30
59	GU105-19	DRAG WASHER	.93
60	JU066-01	DRAG NUT	1.25
61	JU083-01	DRAG CLICK SPRING	1.85
62	JU032-03	DRAG KNOB	1.50
63	JU101-01	DRAG KNOB SCREW	1.25

Prices subject to change without notice. Prices do not include postage and handling.

**PLEASE ORDER BY PART NUMBER**

Rev. 6/94

Zebco Division Brunswick Corporation, Box 270, Tulsa, OK 74101 USA 918-836-5581

